



**KEEPS YOU GOING.**

# **SEATS & ACCESSORIES**



**WWW.TVH.COM**



Most articles stated in this catalogue are available from stock, unless they were sold out after the publication of this catalogue. Contact us if you require a similar article that is not shown in this catalogue: alternatives might be available. TVH is a supplier of spare parts and accessories suitable for OEM equipment. OEM references and makes are purely indicative and do not imply that the accessories and/or spare parts originate from the original equipment or parts manufacturer. Please consult our general terms and conditions of sale on [www.tvh.com/avv](http://www.tvh.com/avv).



Die in diesem Katalog aufgeführten Artikel sind in der Regel ab Lager lieferbar es sei denn, sie sind nach der Veröffentlichung des vorliegenden Katalogs ausverkauft. Kontaktieren Sie uns wenn Sie einen ähnlichen Artikel benötigen dieser aber nicht im Katalog enthalten ist: Alternativen könnten verfügbar sein. TVH ist Lieferant von Ersatzteilen und Zubehör, die für OEM-Geräte geeignet sind. OEM-Referenzen und -Marken sind rein informativ und implizieren nicht, dass das Zubehör und/oder Ersatzteil vom Originalausstattungs- oder Ersatzteilhersteller stammen. Alle Verkäufe unterliegen den allgemeinen Geschäftsbedingungen [www.tvh.com/avv](http://www.tvh.com/avv).



La maggior parte dei ricambi elencati in questo catalogo sono a stock, a meno che dopo la pubblicazione di questo catalogo sono stati venduti. Contattemi se desiderate un articolo simile che non è riportato in questo catalogo: è possibile che possiamo offrire anche questi. TVH è un fornitore di ricambi e accessori adatti per attrezzature originali. I marchi e i codici OEM sono puramente indicativi e non implicano che i ricambi e/o gli accessori vengano prodotti dalla casa madre. Si prega di consultare i nostri termini di vendita su [www.tvh.com/avv](http://www.tvh.com/avv).



De meeste in deze catalogus vermelde artikelen zijn uit voorraad leverbaar, tenzij ze na publicatie van deze catalogus uitverkocht werden. Contacteer ons indien u een gelijkaardig artikel wenst dat niet in deze catalogus is opgenomen: het is mogelijk dat wij ook dit kunnen leveren. TVH is een leverancier van reserveonderdelen en accessoires geschikt voor OEM-uitrusting. OEM-referenties en -merken zijn enkel indicatief en betekenen niet dat de accessoires en/of onderdelen afkomstig zijn van de originele apparatuur- of onderdelenfabrikant. Gelieve onze algemene verkoopsvoorwaarden te consulteren op [www.tvh.com/avv](http://www.tvh.com/avv).



La mayoría de los artículos que figuran en este catálogo se encuentran en stock, a menos que tras la publicación de este catálogo se hayan agotado. Contacte con nosotros si desea un artículo similar que no se halle en este catálogo: es posible que podamos ofrecerle aquel que usted necesita. TVH es un proveedor de recambios y accesorios adecuados para equipos OEM. Las referencias y marcas OEM son solamente indicativas y no implican que los accesorios o recambios procedan del fabricante de equipos o piezas originales. Por favor, consulte nuestras condiciones de venta en [www.tvh.com/avv](http://www.tvh.com/avv).



Części z tego katalogu są zazwyczaj na stanie magazynowym. Również części które nie są wyszczególnione w katalogu mogą być dostarczone na zamówienie w najkrótszym możliwym terminie. TVH jest dostawcą części zamiennych i akcesoriów do naprawy i serwisowania maszyn OEM. Odwołania do oryginalnego producenta i marki mają charakter wyłącznie informacyjny i nie oznaczają, że akcesoria i/lub części zamienne pochodzą od oryginalnego producenta urządzenia lub części zamiennych. Proszę zapoznać się z naszymi ogólnymi warunkami sprzedaży na [www.tvh.com/avv](http://www.tvh.com/avv).



La plupart des articles mentionnés dans ce catalogue sont disponibles sauf si épuisement du stock à la publication de ce catalogue. Contactez-nous si vous souhaitez un article similaire qui n'est pas repris dans ce catalogue: il est possible que nous pouvons vous le fournir. TVH est un fournisseur de pièces détachées et d'accessoires aptes pour l'équipement d'origine ("OEM"). Les références d'origine ("OEM") et les marques ne sont qu'une simple indication qui n'implique pas que les pièces ou accessoires proviennent du constructeur d'origine. Veuillez consulter nos conditions générales de vente sur [www.tvh.com/avv](http://www.tvh.com/avv).



A maioria dos artigos indicados neste catálogo estão disponíveis em stock, a menos que tenham sido vendidos após a publicação deste catálogo. Contate-nos se precisar de um artigo semelhante que não seja mostrado neste catálogo: alternativas podem estar disponíveis. A TVH é um fornecedor de peças de reposição e acessórios que são adequados para equipamentos OEM. As referências e as marcas OEM são meramente indicativas e não implicam que os acessórios e/ou peças de substituição são provenientes do fabricante original do equipamento ou das peças. Favor consulte nossos termos e condições gerais de venda no [www.tvh.com/avv](http://www.tvh.com/avv).



Запчасти из настоящего списка, как правило, имеются в запасе, если только он не распродан. Прочие, не фигурирующие в списке артикулы, могут быть поставлены в самые кратчайшие сроки. TVH является поставщиком запасных частей и аксессуаров, совместимых с OEM-оборудованием (original equipment manufacturer — оригинальный производитель оборудования). Ссылки и изготовители оригинального оборудования являются чисто ориентировочными и не подразумевают, что аксессуары и / или запасные части получены от производителя оригинального оборудования или запчастей. Пожалуйста, ознакомьтесь с нашими общими условиями продажи на [www.tvh.com/avv](http://www.tvh.com/avv).

## **KEEPS YOU GOING.**

TVH started as a small company in 1969, founded by two friends: Paul Thermote and Paul Vanhalst. More than 50 years later, TVH has become a parts specialist in the field of spare parts for material handling, industrial vehicles, construction and agricultural equipment, with more than 4500 employees worldwide.

With a database of over 44 000 000 item numbers, of which more than 930 000 different references are in stock, we supply to customers in 180 countries. TVH is committed to delivering all products and services to keep equipment running smoothly. You can always count on our technically skilled employees who offer you expert support in 42 languages, and we guarantee you 95% same-day shipments.

Our headquarters are located in Waregem, Belgium. Furthermore, there are two regional main offices: one in Kansas (US) serving the American market and one in Hermalle (Belgium) for the subsidiary Bepco.

Via our webshop MyTotalSource, you can buy your spare parts and accessories online. For every reference, you can immediately see the price, lead time, stock, pictures and technical features.

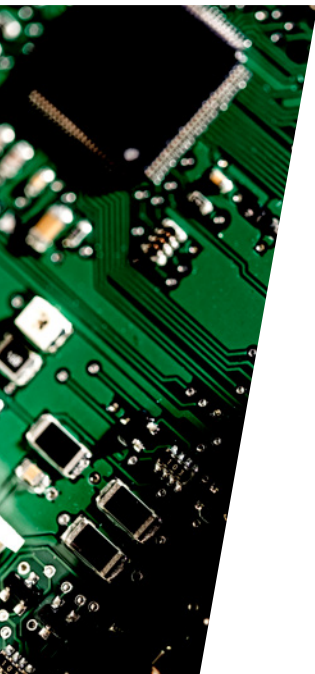
In addition to our own brands such as TotalSource®, CAM attachments®, Energic Plus® and GemOne®, TVH also partners with a variety of top-quality brands.

In need of electronic components and services? We've got you covered thanks to our electronics department in Belgium (the largest service center for electronic components for all types of electric vehicles in Europe).

In addition, TVH University offers practice-oriented technical training courses that ensure you can offer your customers the best service possible.

Do you have any questions or remarks? Please contact us, we will gladly help you.

**KEEPS  
YOU  
GOING.**





### **ONE-STOP SHOP**

- > 930 000 different stock items
- > 44 000 000 known references



### **TECHNICALLY SKILLED EMPLOYEES**

- 60 nationalities
- 42 spoken languages



### **CUSTOMER SATISFACTION**

- > 85% of our customers would recommend TVH as a great partner to work with



### **WEBSHOP & ONLINE SUPPORT**

- > 80% via e-commerce



### **WORLDWIDE PRESENCE**

- 81 branches worldwide
- > 75 000 active customers in over 180 countries

# KEEPS YOU GOING.

## **STRONG BRANDS, GUARANTEED QUALITY**

TVH is your global one-stop shop for parts and accessories for material handling, industrial, construction and agricultural equipment. Regardless of the make, type and year of construction of your material handling or industrial equipment machine: TVH always has a solution.

Reliable products and services contribute to the day-to-day success of your company. That's why we at TVH choose top quality brands for our maintenance, repair and operation products, just like you do.

In addition, our strong house brands guarantee an excellent range and quality standard for mechanical and hydraulic attachments, internal transport equipment, battery chargers and accessories ...



**TOTALSOURCE**<sup>®</sup>

**GEMone**



**ENERGIC Plus**<sup>®</sup>

## **QUALITY IS OUR PRIORITY**

Is quality also a priority in your business? Rely on TVH as your partner.

In-depth product knowledge and specific testing equipment allows us to continuously improve processes and quality standards.



## **PROFESSIONAL TRAINING CENTRE**

TVH University provides **practice-oriented technical training courses** suitable for industrial vehicles such as forklifts, telehandlers, mobile elevating work platforms, small earth-moving equipment and tractors.

- **Get certified** in industry-related topics such as internal combustion engines, electrics/electronics, hydraulics, and power electronics
- **Highly qualified trainers** with years of practical experience
- Courses include both **in-person** training classes and **digital** training packages

For more information or enrolments:  
T +32 56 43 44 38 • [technicaltraining@tvh.com](mailto:technicaltraining@tvh.com)

**TVH**  
**UNIVERSITY**

## **VISIT OUR WEBSHOP WHENEVER AND WHEREVER YOU WANT**

Request your login details now and benefit from the many advantages offered in MyTotalSource!

Discover the possibilities of the **MyTotalSource app**. The MyTotalSource app offers you the possibility to request offers, place orders and scan bar codes of references from your smartphone.

**For any questions, call or mail our help desk for free support:**  
T +32 56 43 48 66 • [ecommerce@tvh.com](mailto:ecommerce@tvh.com)

# TABLE OF CONTENTS

## ENGLISH

<b>ABOUT TVH &amp; TOTALSOURCE</b>	<b>1</b>		
<b>TABLE OF CONTENTS</b>	<b>6</b>	<b>08.</b>	
<b>NICE TO KNOW</b>	<b>26</b>	<b>MILSCO</b>	<b>185</b>
<b>01.</b>		<b>09.</b>	
<b>TOTALSOURCE</b>	<b>37</b>	<b>SEAT INDUSTRIES</b>	<b>193</b>
<b>02.</b>		<b>10.</b>	
<b>GRAMMER</b>	<b>77</b>	<b>MIRALBUENO</b>	<b>207</b>
<b>03.</b>		<b>11.</b>	
<b>KAB SEATING</b>	<b>105</b>	<b>SPECIAL SEATS</b>	<b>233</b>
<b>04.</b>		Anti-static seats	234
<b>ISRI</b>	<b>145</b>	Heated seats	235
<b>05.</b>		Narrow seats	237
<b>SEARS SEATING</b>	<b>157</b>	Seats for specific makes	239
<b>06.</b>		<b>12.</b>	
<b>COBO GROUP</b>	<b>163</b>	<b>ACCESSORIES</b>	<b>241</b>
<b>07.</b>		<b>13.</b>	
<b>BE-GE</b>	<b>173</b>	<b>WORKSHOP &amp; WAREHOUSE SUPPLIES AND PPE</b>	<b>273</b>

# INHOUDSOPGAVE

## NEDERLANDS

<b>OVER TVH EN TOTALSOURCE</b>	<b>1</b>		
<b>INHOUDSOPGAVE</b>	<b>7</b>	<b>08.</b>	
<b>GOED OM TE WETEN</b>	<b>26</b>	<b>MILSCO</b>	<b>185</b>
<b>01.</b>		<b>09.</b>	
<b>TOTALSOURCE</b>	<b>37</b>	<b>SEAT INDUSTRIES</b>	<b>193</b>
<b>02.</b>		<b>10.</b>	
<b>GRAMMER</b>	<b>77</b>	<b>MIRALBUENO</b>	<b>207</b>
<b>03.</b>		<b>11.</b>	
<b>KAB SEATING</b>	<b>105</b>	<b>SPECIALE ZETELS</b>	<b>233</b>
<b>04.</b>		Antistatische zetels	234
<b>ISRI</b>	<b>145</b>	Verwarmde zetels	235
<b>05.</b>		Smalle zetels	237
<b>SEARS SEATING</b>	<b>157</b>	Zetels voor specifieke merken	239
<b>06.</b>		<b>12.</b>	
<b>COBO GROUP</b>	<b>163</b>	<b>ACCESSOIRES</b>	<b>241</b>
<b>07.</b>		<b>13.</b>	
<b>BE-GE</b>	<b>173</b>	<b>MAGAZIJN- EN WERKPLAATS- BENODIGDHEDEN EN PBM</b>	<b>273</b>

# TABLE DES MATIÈRES

## FRANÇAIS

À PROPOS DE TVH & TOTALSOURCE 1

TABLE DES MATIÈRES 8

BON À SAVOIR 26

**01.**

TOTALSOURCE 37

**02.**

GRAMMER 77

**03.**

KAB SEATING 105

**04.**

ISRI 145

**05.**

SEARS SEATING 157

**06.**

COBO GROUP 163

**07.**

BE-GE 173

**08.**

MILSCO 185

**09.**

SEAT INDUSTRIES 193

**10.**

MIRALBUENO 207

**11.**

SIÈGES SPÉCIAUX 233

Sièges antistatiques 234

Sièges chauffants 235

Sièges étroits 237

Sièges pour marques spécifiques 239

**12.**

ACCESSOIRES 241

**13.**

FOURNITURES D'ATELIER,  
D'ENTREPÔT ET EPI 273

# INHALTSVERZEICHNIS

## DEUTSCH

<b>ÜBER TVH &amp; TOTALSOURCE</b>	<b>1</b>		
<b>INHALTSVERZEICHNIS</b>	<b>9</b>	<b>08.</b>	
<b>GUT ZU WISSEN</b>	<b>26</b>	<b>MILSCO</b>	<b>185</b>
<b>01.</b>		<b>09.</b>	
<b>TOTALSOURCE</b>	<b>37</b>	<b>SEAT INDUSTRIES</b>	<b>193</b>
<b>02.</b>		<b>10.</b>	
<b>GRAMMER</b>	<b>77</b>	<b>MIRALBUENO</b>	<b>207</b>
<b>03.</b>		<b>11.</b>	
<b>KAB SEATING</b>	<b>105</b>	<b>SPEZIELLE FAHRERSITZE</b>	<b>233</b>
<b>04.</b>		Antistatische Fahrersitze	234
<b>ISRI</b>	<b>145</b>	Heizbare Fahrersitze	235
<b>05.</b>		Schmale Fahrersitze	237
<b>SEARS SEATING</b>	<b>157</b>	Fahrersitze für bestimmte Marken	239
<b>06.</b>		<b>12.</b>	
<b>COBO GROUP</b>	<b>163</b>	<b>ZUBEHÖR</b>	<b>241</b>
<b>07.</b>		<b>13.</b>	
<b>BE-GE</b>	<b>173</b>	<b>WERKSTATT- &amp; LAGERBEDARF UND PSA</b>	<b>273</b>

# ÍNDICE

## ESPAÑOL

**ACERCA DE TVH & TOTALSOURCE 1**

**ÍNDICE 10**

**¿SABÍA QUE...? 26**

**01.**

**TOTALSOURCE 37**

**02.**

**GRAMMER 77**

**03.**

**KAB SEATING 105**

**04.**

**ISRI 145**

**05.**

**SEARS SEATING 157**

**06.**

**COBO GROUP 163**

**07.**

**BE-GE 173**

**08.**

**MILSCO 185**

**09.**

**SEAT INDUSTRIES 193**

**10.**

**MIRALBUENO 207**

**11.**

**ASIENTOS ESPECIALES 233**

Asientos antiestáticos 234

Asientos con calefacción 235

Asientos estrechos 237

Asientos para marcas específicas 239

**12.**

**ACCESORIOS 241**

**13.**

**SUMINISTROS DE TALLER Y ALMACÉN & EPI 273**

# ÍNDICE

## PORTUGUÊS

<b>SOBRE A TVH &amp; TOTALSOURCE</b>	<b>I</b>		
<b>ÍNDICE</b>	<b>11</b>	<b>08.</b>	
<b>BOM SABER</b>	<b>26</b>	<b>MILSCO</b>	<b>185</b>
<b>01.</b>		<b>09.</b>	
<b>TOTALSOURCE</b>	<b>37</b>	<b>SEAT INDUSTRIES</b>	<b>193</b>
<b>02.</b>		<b>10.</b>	
<b>GRAMMER</b>	<b>77</b>	<b>MIRALBUENO</b>	<b>207</b>
<b>03.</b>		<b>11.</b>	
<b>KAB SEATING</b>	<b>105</b>	<b>BANCOS ESPECIAIS</b>	<b>233</b>
<b>04.</b>		Bancos antiestáticos	234
<b>ISRI</b>	<b>145</b>	Bancos com aquecimento	235
<b>05.</b>		Bancos estreitos	237
<b>SEARS SEATING</b>	<b>157</b>	Bancos para marcas específicas	239
<b>06.</b>		<b>12.</b>	
<b>COBO GROUP</b>	<b>163</b>	<b>ACESSÓRIOS</b>	<b>241</b>
<b>07.</b>		<b>13.</b>	
<b>BE-GE</b>	<b>173</b>	<b>MATERIAL DE OFICINA &amp; ARMAZÉM E PPE</b>	<b>273</b>

# INDICE

## ITALIANO

### A PROPOSITO DI TVH & TOTALSOURCE

1

### INDICE

12

### UTILE DA SAPERE

26

## 01.

### TOTALSOURCE

37

## 02.

### GRAMMER

77

## 03.

### KAB SEATING

105

## 04.

### ISRI

145

## 05.

### SEARS SEATING

157

## 06.

### COBO GROUP

163

## 07.

### BE-GE

173

## 08.

### MILSCO

185

## 09.

### SEAT INDUSTRIES

193

## 10.

### MIRALBUENO

207

## 11.

### SEDILI SPECIALI

233

Sedili antistatici

234

Sedili riscaldabili

235

Sedili compatti

237

Sedili per marchi specifici

239

## 12.

### ACCESSORI

241

## 13.

### FORNITURE PER OFFICINA & MAGAZZINO E DPI

273

# SPIS TREŚCI

## **POLSKI**

<b>O TVH I TOTALSOURCE</b>	<b>I</b>		
<b>SPIS TREŚCI</b>	<b>13</b>	<b>08.</b>	
<b>DOBRCZE WIEDZIEĆ</b>	<b>26</b>	<b>MILSCO</b>	<b>185</b>
<b>01.</b>		<b>09.</b>	
<b>TOTALSOURCE</b>	<b>37</b>	<b>SEAT INDUSTRIES</b>	<b>193</b>
<b>02.</b>		<b>10.</b>	
<b>GRAMMER</b>	<b>77</b>	<b>MIRALBUENO</b>	<b>207</b>
<b>03.</b>		<b>11.</b>	
<b>KAB SEATING</b>	<b>105</b>	<b>FOTELE SPECJALNE</b>	<b>233</b>
<b>04.</b>		Fotele antystatyczne	234
<b>ISRI</b>	<b>145</b>	Podgrzewane fotele	235
<b>05.</b>		Wąskie fotele	237
<b>SEARS SEATING</b>	<b>157</b>	Fotele dla poszczególnych marek	239
<b>06.</b>		<b>12.</b>	
<b>COBO GROUP</b>	<b>163</b>	<b>AKCESORIA</b>	<b>241</b>
<b>07.</b>		<b>13.</b>	
<b>BE-GE</b>	<b>173</b>	<b>MATERIAŁY WARSZTATOWE I MAGAZYNOWE ORAZ ŚRODKI OCHRONY OSOBISTEJ</b>	<b>273</b>

# ОГЛАВЛЕНИЕ

## РУССКИЙ

**КРАТКО О TVH И TOTALSOURCE 1**

**ОГЛАВЛЕНИЕ 14**

**ПОЛЕЗНО ЗНАТЬ 26**

**01.**

**TOTALSOURCE 37**

**02.**

**GRAMMER 77**

**03.**

**KAB SEATING 105**

**04.**

**ISRI 145**

**05.**

**SEARS SEATING 157**

**06.**

**SOBO GROUP 163**

**07.**

**BE-GE 173**

**08.**

**MILSCO 185**

**09.**

**SEAT INDUSTRIES 193**

**10.**

**MIRALBUENO 207**

**11.**

**СПЕЦИАЛЬНЫЕ СИДЕНЬЯ 233**

Антистатические сиденья 234

Сиденья с подогревом 235

Узкие сиденья 237

Сиденья конкретных марок 239

**12.**

**АКСЕССУАРЫ 241**

**13**

**МАТЕРИАЛЫ ДЛЯ МАСТЕРСКИХ И  
СКЛАДОВ И СИЗ 273**

**TOTALSOURCE**

page 38



**TOTALSOURCE**

page 39



**TOTALSOURCE**

page 40



**TOTALSOURCE**

page 41



**TOTALSOURCE**

page 42



**TOTALSOURCE**

page 43



**TOTALSOURCE**

page 44



**TOTALSOURCE**

page 45



**TOTALSOURCE**

page 46



**TOTALSOURCE**

page 47



**TOTALSOURCE**

page 48



**TOTALSOURCE**

page 49



**TOTALSOURCE**

page 50



**TOTALSOURCE**

page 51



**TOTALSOURCE**

page 52



**TOTALSOURCE**

page 53



**TOTALSOURCE**

page 54



**TOTALSOURCE**

page 55



**TOTALSOURCE**

page 56



**TOTALSOURCE**

page 57



**TOTALSOURCE**

page 58



**TOTALSOURCE**

page 59



**TOTALSOURCE**

page 60



**TOTALSOURCE**

page 61



**TOTALSOURCE**

page 62



**TOTALSOURCE**

page 63



**TOTALSOURCE**

page 64



**TOTALSOURCE**

page 65



**TOTALSOURCE**

page 66



**TOTALSOURCE**

page 67



**TOTALSOURCE**

page 68



**TOTALSOURCE**

page 69



**TOTALSOURCE**

page 70



**TOTALSOURCE**

page 71



**TOTALSOURCE**

page 72



**TOTALSOURCE**

page 73



**TOTALSOURCE**

page 74



**GRAMMER**

page 78



**GRAMMER**

page 79



**GRAMMER**

page 80



**GRAMMER**

page 81



**GRAMMER**

page 82



**GRAMMER**

page 83



**GRAMMER**

page 84



**GRAMMER**

page 85



**GRAMMER**

page 86



**GRAMMER**

page 87



**GRAMMER**

page 88



**GRAMMER**

page 89



**GRAMMER**

page 90



**GRAMMER**

page 91



**GRAMMER**

page 92



**GRAMMER**

page 93



**GRAMMER**

page 94



**GRAMMER**

page 95



**GRAMMER**

page 96



**GRAMMER**

page 97



**GRAMMER**

page 98



**GRAMMER**

page 99



**GRAMMER**

page 100



**GRAMMER**

page 101



**GRAMMER**

page 102



**KAB SEATING**

page 106



**KAB SEATING**

page 107



**KAB SEATING**

page 108



**KAB SEATING**

page 109



**KAB SEATING**

page 110



**KAB SEATING**

page 111



**KAB SEATING**

page 112



**KAB SEATING**

page 113



**KAB SEATING**

page 114



**KAB SEATING**

page 115



**KAB SEATING**

page 116



**KAB SEATING**

page 117



**KAB SEATING**

page 118



**KAB SEATING**

page 119



**KAB SEATING**

page 120



**KAB SEATING**

page 121



**KAB SEATING**

page 122



**KAB SEATING**

page 123



**KAB SEATING**

page 124



**KAB SEATING**

page 125



**KAB SEATING**

page 126



**KAB SEATING**

page 127



**KAB SEATING**

page 128



**KAB SEATING**

page 129



**KAB SEATING**

page 130



**KAB SEATING**

page 131



**KAB SEATING**

page 132



**KAB SEATING**

page 133



**KAB SEATING**

page 134



**KAB SEATING**

page 135



**KAB SEATING**

page 136



**KAB SEATING**

page 137



**KAB SEATING**

page 138



**KAB SEATING**

page 139



**KAB SEATING**

page 140



**KAB SEATING**

page 141



**KAB SEATING**

page 142



**ISRI**

page 146



**ISRI**

page 147



**ISRI**

page 148



**ISRI**

page 149



**ISRI**

page 150



**ISRI**

page 151



**ISRI**

page 152



**ISRI**

page 153



**ISRI**

page 154



**ISRI**

page 155



**SEARS SEATING**

page 158



**SEARS SEATING**

page 159



**SEARS SEATING**

page 160



**COBO GROUP**

page 164



**COBO GROUP**

page 165



**COBO GROUP**

page 166



**COBO GROUP**

page 167



**COBO GROUP**

page 168



**COBO GROUP**

page 169



**COBO GROUP**

page 170



**COBO GROUP**

page 171



**BE-GE**

page 174



**BE-GE**

page 175



**BE-GE**

page 176



**BE-GE**

page 177



**BE-GE**

page 178



**BE-GE**

page 179



**BE-GE**

page 180



**BE-GE**

page 181



**BE-GE**

page 182



**MILSCO**

page 186



**MILSCO**

page 187



**MILSCO**

page 188



**MILSCO**

page 189



**MILSCO**

page 190



**MILSCO**

page 191



**SEAT INDUSTRIES**

page 194



**SEAT INDUSTRIES**

page 195



**SEAT INDUSTRIES**

page 196



**SEAT INDUSTRIES**

page 197



**SEAT INDUSTRIES**

page 198



**SEAT INDUSTRIES**

page 199



**SEAT INDUSTRIES**

page 200



**SEAT INDUSTRIES**

page 201



**SEAT INDUSTRIES**

page 202



**SEAT INDUSTRIES**

page 203



**SEAT INDUSTRIES**

page 204



**SEAT INDUSTRIES**

page 205



**MIRALBUENO**

page 208



**MIRALBUENO**

page 209



**MIRALBUENO**

page 210



**MIRALBUENO**

page 211



**MIRALBUENO**

page 212



**MIRALBUENO**

page 213



**MIRALBUENO**

page 214



**MIRALBUENO**

page 215



**MIRALBUENO**

page 216



**MIRALBUENO**

page 217



**MIRALBUENO**

page 218



**MIRALBUENO**

page 219



**MIRALBUENO**

page 220



**MIRALBUENO**

page 221



**MIRALBUENO**

page 222



**MIRALBUENO**

page 223



**MIRALBUENO**

page 224



**MIRALBUENO**

page 225



**MIRALBUENO**

page 226



**MIRALBUENO**

page 227



**MIRALBUENO**

page 228



**MIRALBUENO**

page 229



**MIRALBUENO**

page 230



**MIRALBUENO**

page 231



# NICE TO KNOW

## SEATS

**Switch (OPS):**  
Operator Presence Switch

**Seat ergonomics:**  
One of the most important aspects to consider when buying a seat is the ergonomics. After all, replacing an employee due to physical problems is much harder and more expensive than replacing a seat.

One simple rule to keep in mind if you want to preserve the ergonomics of the original machine, is to replace the broken seat with a

100% equivalent aftermarket alternative. If this is not possible due to unavailability or price, TVH can provide a seat that offers equal economic advantages either via MyPartsFinder or via other media.

One of the most important features is the seat height (seating position). If a seat is too high it will be uncomfortable, too low is hardly even a problem, so we recommend you a seat that has approximately the same sitting height as your old seat.



### Old and new fabric:

- New fabric: blue/black matrix fabric (1) (MH)
- New fabric: yellow/black (2) (CE)
- Old fabric: black/grey matrix fabric (3) (CE)
- Black fabric: black/black (4) (CE)



**Not available:**

this seat can't be sourced and isn't available (anywhere)

**On request:**

if explicitly requested, we can assemble this part for you

**General REF:**

this reference is suitable for both the PVC and the fabric version of the seat

## **SEAT BELTS**

**ALR seat belt:**

Automatic Locking Retractors lock when the lap belt is put around the wearer.

**ECE R16 technical definition:**


A retractor allowing extraction of the strap to the desired length and which, when the buckle is fastened, automatically adjusts the strap to the wearer. Further extraction of the strap is prevented without voluntary intervention by the wearer.

**MUR seat belt:**

Manual Unlocking Retractors unlock when the lever is operated.

When in use, this acts as a static seat belt.

**ELR seat belt:****Emergency Locking Retractors lock in case of:**

- a. webbing acceleration: retractor will lock if the webbing is snatched (typically abrupt torso movement)
- b. vehicle movement: retractor will lock with sudden vehicle movement (typically abrupt stopping, vibration or roll-over)  
 Must be mounted correctly in order to function
- c. ECE R16 technical definition: a retractor which – during normal driving conditions - does not restrict the freedom of movement by the wearer of the safety-belt. Such a device has length adjusting components which automatically adjust the strap to the wearer and a locking mechanism actuated in an emergency

**THIS IS ONLY A SELECTION OF THE SEATS AND SPARE PARTS FOR SEATS IN OUR PROGRAMME. PLEASE CONTACT US FOR MORE INFORMATION.**

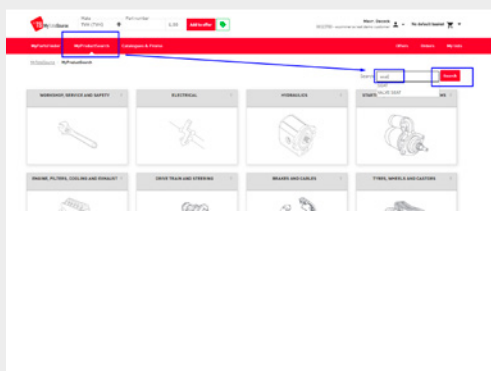
# NICE TO KNOW

## MYTOTALSOURCE

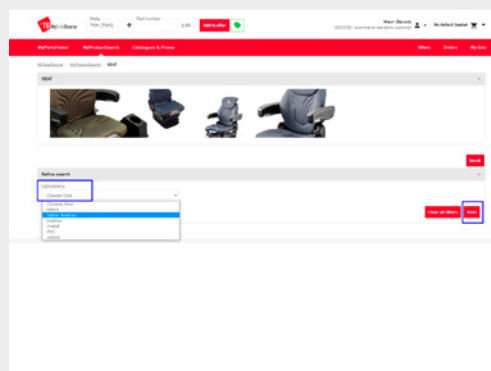
**YOUR INTERACTIVE ONLINE WEBSHOP FOR SPARE PARTS**



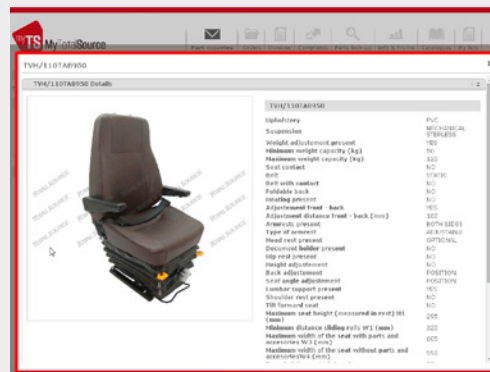
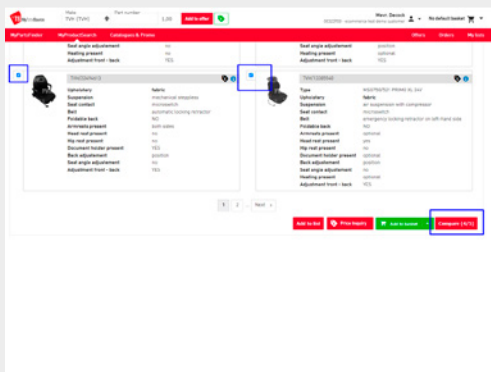
Buy your seats & accessories online with MyTotalSource



1. Go to MyProductSearch. Then go to the 'Seats' section via the search function



2. Refine your search: choose the upholstery



3. The seats that answer your search request are now visualised. Select the seat(s) you are interested in and click 'Add to basket'. Use the compare function to compare up to 5 different seats.

The references in the catalogue only contain the most important info. By clicking the image in MyTotalSource, extra info can be consulted such as:

- Extra technical info
- Larger (and more specific) photographs

**NO LOGIN YET?**

**REQUEST YOUR LOGIN DETAILS NOW VIA [ECOMMERCE@TVH.COM](mailto:ECOMMERCE@TVH.COM)  
HELPDESK: T +32 56 43 48 66**

# NICE TO KNOW

English	Nederlands	Français	Deutsch	Español
<b>Air suspension</b>	Luchtvering	Suspension pneumatique	Luftfederung	Suspensión de aire
<b>Armrest</b>	ArMLEuning	Accoudoir	ArMLEhne	Reposabrazos
<b>Backrest adjustment</b>	Rugverstelling	Réglage du dossier	Rückenlehnenverstellung	Ajuste del respaldo
<b>Backrest cover</b>	Overtrek rugkussen	Housse de dossier	Überzug Rückenpolster	Funda respaldo
<b>Backrest cushion</b>	Rugkussen	Coussin de dos	Rückenpolster	Cojin del respaldo
<b>Depth</b>	Diepte	Profondeur	Tiefe	Profundidad
<b>Document pouch</b>	Documentenhouder	Porte-documents	Dokumentenhalter	Porta documentos
<b>Fabric</b>	Stof	Tissu	Stoff	Tela
<b>Fixed backrest</b>	Vaste rugleuning	Dossier fixe	Feste Rückenlehne	Respaldo fijo
<b>Foldable back</b>	Vouwbare rug	Dossier rabattable	Klappbare Rückenlehne	Respaldo plegable
<b>Fore/aft adjustment</b>	Voor/achter verstelling	Réglage avant/arrière	Vorwärts-/Rückwärtsverstellung	Ajuste delante/atrás
<b>Head rest</b>	Hoofdsteen	Appuie-tête	Kopfstütze	Reposacabeza
<b>Height</b>	Hoogte	Hauteur	Höhe	Altura
<b>Height adjustment</b>	Hoogte verstelling	Réglage en hauteur	Höhenverstellung	Ajuste de la altura
<b>Hip restraint</b>	Heupsteen	Maintien des hanches	Hüftstütze	Sujeta caderas
<b>Hump cover kit</b>	Hump overtrekset	Hump cover kit	Lendenwirbelstütze Kit	Hump cover kit
<b>Lumbar support</b>	Lendensteen	Réglage lombaire	Lendenstütze	Soporte lumbar
<b>Mechanical suspension</b>	Mechanische vering	Suspension mécanique	Mechanische Federung	Suspensión mecánica
<b>Middle part</b>	Middenstuk	Pièce centrale	Mittelstück	Parte media
<b>Middle part with heating</b>	Middenstuk met verwarming	Pièce centrale avec chauffage	Mittelstück mit Heizung	Parte central con calefacción
<b>Middle part with safety switch</b>	Middenstuk met microcontact	Pièce centrale avec micro-contact de sécurité	Mittelstück mit Sicherheitsschalter	Parte central con interruptor de seguridad
<b>Min seat height</b>	Min. zithoogte	Hauteur minimale de l'assise	Geringste Sitzhöhe	Altura min. asiento
<b>Narrow version</b>	Smalle versie	Version étroite	Kompakt-Ausführung	Version estrecha
<b>Non-suspension seat</b>	Ongeveerde zetel	Siège non suspendu	Ungefederter Sitz	Asiento sin suspensión
<b>PVC</b>	Pvc	Pvc	PVC	PVC
<b>Retractable seat belt</b>	Oprolbare gordel	Ceinture à enrouleur	Aufrollgurt	Cinturón enrollable
<b>Safety switch</b>	Microcontact	Micro-contact de sécurité	Sicherheitsschalter	Micro
<b>Seat</b>	Zetel	Siège	Sitz	Asiento
<b>Seat angle adjustment</b>	Zithoekverstelling	Angle d'assise réglable	Sitzwinkelverstellung	Ajuste del ángulo del asiento
<b>Seat belt bracket</b>	Gordelbevestiging	Support de ceinture de sécurité	Gurthalterung	Soporte del cinturón
<b>Seat belt (black)</b>	Veiligheidsgordel (zwart)	Ceinture de sécurité (noir)	Sitzgurt (Schwarz)	Cinturón de seguridad (negro)
<b>Seat belt (orange)</b>	Veiligheidsgordel (oranje)	Ceinture de sécurité (orange)	Sitzgurt (Orange)	Cinturón de seguridad (naranja)
<b>Seat cover</b>	Zetelhoe	Housse de siège	Sitzbezug	Funda asiento
<b>Seat cushion</b>	Zitkussen	Coussin de siège	Sitzpolster	Cojin del asiento
<b>Seat foam</b>	Zetelmousse	Mousse de siège	Sitzschaum	Espuma del asiento
<b>Seat heating</b>	Zetelverwarming	Siège chauffant	Sitzheizung	Calefacción
<b>Seat pan</b>	Zitpan	Assise de siège	Sitzschale	Asiento/respaldo en una pieza
<b>Shock absorber</b>	Schokdemper	Amortisseur	Stoßdämpfer	Amortiguador
<b>Shoulder restraint</b>	Schoudersteen	Maintien des épaules	Schulterstütze	Sujeta hombros
<b>Slide rail</b>	Verstelslede	Glissière	Gleitschiene	Rail deslizante
<b>Static seat belt</b>	Statische gordel	Ceinture de sécurité statique	Statischer Sitzgurt	Cinturón estático
<b>Suspension seat</b>	Geveerde stoel	Siège suspendu	Gefederter Sitz	Asiento con suspensión
<b>Velvet</b>	Fluweel	Velours	Velours	Terciopelo
<b>Weight adjustment</b>	Gewichtinstelling	Réglage du poids	Gewichtsverstellung	Ajuste del peso
<b>Width</b>	Breedte	Largeur	Breite	Anchura

Português	Italiano	Polski	Русский
Suspensão de ar	Sospensione ad aria	Amortyzacja pneumatyczna	Пневмоподвеска
Apoio do braço	Poggiabraccia	Podłokietnik	Подлокотник
Ajuste do encosto	Regolazione schienale	Regulacja oparcia	Регулировка спинки
Forra do encosto	Copri schienale	Pokrowiec na oparcie	Чехол спинки
Encosto	Schienale	Oparcie	Подушка спинки
Profundidade	Profondità	Głębokość	Глубина
Porta documentos	Porta documenti	Etui na dokumenty	Карман для документов
Tecido	Tessuto	Materiał	Ткань
Encosto fixo	Schienale fisso	Stałe oparcie	Неподвижная спинка
Encosto dobrável	Schienale ribaltabile	Składane oparcie	Складная спинка
Ajuste frente/trás	Regolazione avanti/indietro	Regulacja przód/tył	Регулировка вперед / назад
Apoio da cabeça	Poggia testa	Zaglówek	Подголовник
Altura	Altezza	Wysokość	Высота
Ajuste da altura	Regolazione altezza	Regulacja wysokości	Регулировка по высоте
Apoio do quadril	Supporto anca	Ogranicznik biodrowy	Боковое ограничение
Hump cover kit	Set copertura schienale	Hump cover kit	Hump cover kit
Suporte lumbar	Supporto lombare	Podparcie lędźwiowe	Поясничная опора
Suspensão mecânica	Sospensione meccanica	Amortyzacja mechaniczna	Механическая подвеска
Peça central	Pezzo centrale	Część środkowa	Средняя секция
Parte do meio com aquecedor	Pezzo centrale con riscaldamento	Część środkowa z podgrzewaniem	Средняя секция с обогревом
Parte do meio com dispositivo de segurança	Pezzo centrale con interruttore di sicurezza	Część środkowa z włącznikiem bezpieczeństwa	Средняя секция с блокиратором
Altura mínima de assento	Altezza minima	Min. wysokość fotela	Мин. высота сиденья
Versão estreita	Versione stretta	Wąska wersja	Зауженный вариант
Banco sem suspensão	Sedile senza sospensione	Foten nieamortyzowany	Сиденье без подвески
Pvc	Pvc	PVC	ПВХ
Cinto retrátil	Cintura con arrotolatore	Zwijany pas	Инерционный ремень безопасности
Interruptor	Micro	Włącznik bezpieczeństwa	Блокиратор
Banco	Sedile	Fotel	Сиденье
Ajuste do ângulo	Regolazione angolo	Regulacja kąta fotela	Регулировка угла наклона
Fixação do cinto	Supporto per cintura di sicurezza	Klamra pasa	Кронштейн ремня
Cinto de segurança (negro)	Cintura di sicurezza (in nero)	Pas bezpieczeństwa (czarny)	Ремень безопасности (черный)
Cinto de segurança (amarelo)	Cintura di sicurezza (in arancione)	Pas bezpieczeństwa (pomarańczowy)	Ремень безопасности (оранжевый)
Forra do assento	Copri seduta	Pokrowiec na fotel	Чехол сиденья
Almofada de assento	Cuscino	Siedzisko	Подушка сиденья
Espuma do banco	Sedile in schiuma	Pianka	Поролон сиденья
Aquecimento do banco	Riscaldamento cuscino	Ogrzewanie fotela	Обогрев сиденья
Assento	Seduta	Siedzisko	Чашка сиденья
Amortecedor	Ammortizzato	Absorbujący wstrząsy	Амортизатор
Apoio dos ombros	Supporto spalle	Ograniczniki ramion	Плечевое ограждение
Deslizadores	Regolazione binari	Prowadnica	Направляющая
Cinto estático	Cintura	Statyczny pas bezpieczeństwa	Статичный ремень безопасности
Banco com amortecedor	Sospensione a molle	Fotel amortyzowany	Сиденье с подвеской
Veludo	Velluto	Welur	Велюр
Ajuste do peso	Regolazione peso	Regulator wagi	Регулировка по весу
Largura	Larghezza	Szerokość	Ширина

## SEAT – TECHNICAL SHEET

Group  
**08-02-01-00**



Customer details

Type of machine: .....

Price inquiry

Serial n° machine: .....

Order

BRAND.....	Brand
TY.....	Type
MAT1.....	Upholstery:
	<i>PVC = PVC</i>
	<i>F = fabric</i>
	<i>FLU = velvet</i>
SUSP.....	Suspension:
	<i>L = air suspension</i>
	<i>LC = air suspension with compressor</i>
	<i>MP = mechanical position</i>
	<i>MS = mechanical stepless</i>
	<i>N = no</i>
U1.....	Compressor voltage, if suspension with compressor (V)
ADJ-G.....	Weight adjustment present (yes/no)
G1.....	Minimum weight (kg)
G2.....	Maximum weight (kg)
CON-S.....	Seat contact:
	<i>C = contact plate</i>
	<i>M = microswitch</i>
	<i>N = no</i>
	<i>OP = optional</i>
BELT.....	Belt:
	<i>ALR = automatic locking retractor</i>
	<i>ELR = emergency locking retractor</i>
	<i>ELRL = emergency locking retractor on left-hand side</i>
	<i>ELRR = emergency locking retractor on right-hand side</i>
	<i>MLR = manual locking retractor</i>
	<i>S = static</i>
	<i>N = no</i>
	<i>OP = optional</i>
CON-B.....	Belt with contact (yes/no)
FOL-B.....	Foldable back (yes/no)
BCK-FOL.....	Maximum forward inclination (°)
FRT-FOL.....	Maximum backward inclination (°)

## SEAT – TECHNICAL SHEET

	HEAT..... Heating present: Y = <i>yes</i> N = <i>no</i> OP = <i>optional</i>
	U2 ..... Heater voltage (V)
	ADJ-FB..... Adjustment front-back (yes/no)
	L1 ..... Adjustment distance front-back (mm)
	ARM-PR..... Armrest present: L = <i>only left-hand side</i> R = <i>only right-hand side</i> B = <i>both sides</i> N = <i>no</i> OP = <i>optional</i>
	TY-ARM ..... Type of armrest: AUTO = <i>automatic</i> S = <i>static</i>
	HEAD-R ..... Head rest present: Y = <i>yes</i> N = <i>no</i> OP = <i>optional</i>
	DOC-H ..... Document holder present: Y = <i>yes</i> N = <i>no</i> OP = <i>optional</i>
	HIP-R ..... Hip rest present: Y = <i>yes</i> N = <i>no</i> OP = <i>optional</i>
	ADJ-H..... Height adjustment: AUTO = <i>automatic</i> S = <i>stepless</i> P = <i>position</i> N = <i>no</i> OP = <i>optional</i>
	ADJ-B ..... Back adjustment: S = <i>stepless</i> P = <i>position</i> N = <i>no</i> OP = <i>optional</i>
	ADJ-SA..... Seat angle adjustment: S = <i>stepless</i> P = <i>position</i> N = <i>no</i> OP = <i>optional</i>
	LUM-PR..... Lumbar support present: Y = <i>yes</i> N = <i>no</i> OP = <i>optional</i>
	SCH-R ..... Shoulder rest present: Y = <i>yes</i> N = <i>no</i> OP = <i>optional</i>
	TLS ..... Tilt-forward seat (yes/no).
	H1 ..... Maximum seat height (measured in rest condition) (mm)

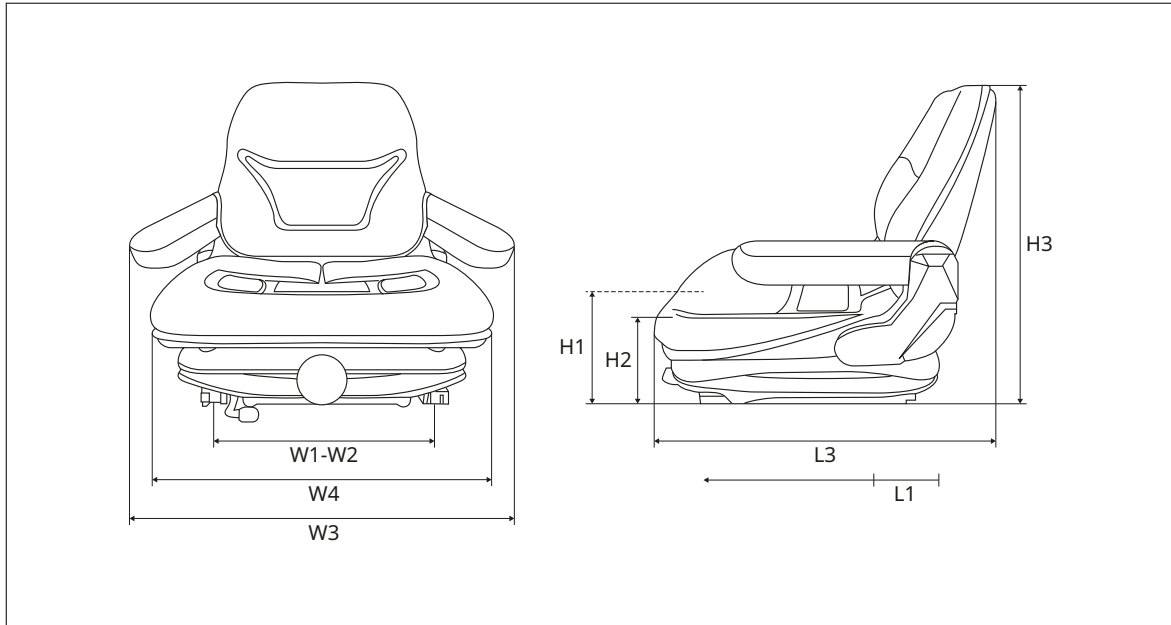
## SEAT – TECHNICAL SHEET

	H2 .....	Minimum seat height (measured in loaded condition) (mm)
	W1 .....	Minimum distance between the slide rails (mm)
	W2 .....	Maximum distance between the slide rails (mm)
	W3 .....	Maximum width of the seat with parts and accessories (mm)
	W4 .....	Maximum width of the seat without parts and accessories (mm)
	L2 .....	Travel of the seat (mm)
	H3 .....	Total height of the seat (mm)
	L3 .....	Total length of the seat mm)
	MAT2 .....	Cushion stuffing: <i>FK = foam</i> <i>MV = foam &amp; springs</i>
	SLR-PR .....	Slide rails present (yes/no)
	G3 .....	Weight of the seat (kg)
	COL .....	Colour: <i>B = black</i> <i>BG = black grey</i> <i>BL = blue</i> <i>BR = brown</i> <i>G = grey</i> <i>GY = grey yellow</i>

## TLS: TILT-FORWARD SEAT



**DIMENSIONS**





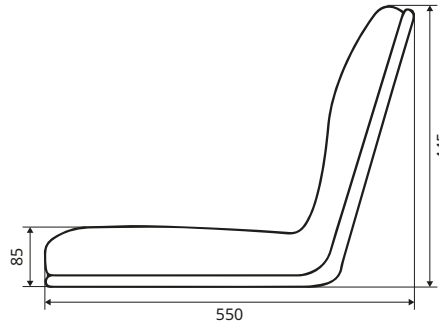
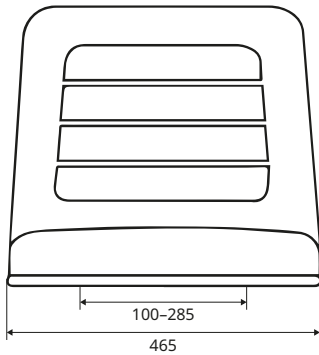


**01.**  
**TOTALSOURCE**

### TS3



**TOTALSOURCE®**



- Universal seat pan with slide rails
- With drain hole

#### COMPLETE SEATS

	REF PVC	REF Fabric
Seat pan	<a href="#">140TA2075</a>	Not available

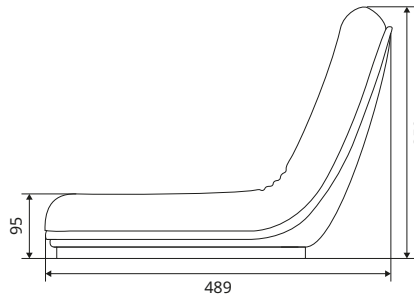
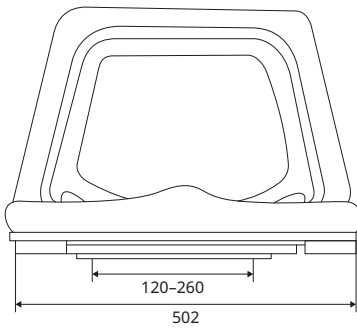
#### SPARE AND OPTIONAL PARTS

	REF General
Slide rails: 326 mm	<a href="#">152TA1964</a>

**TS30**



**TOTALSOURCE®**



- Universal seat pan
- With drain hole
- Used on Tennant

**COMPLETE SEATS**

	REF PVC	REF Fabric
Seat pan	<a href="#">139TA6707</a>	Not available

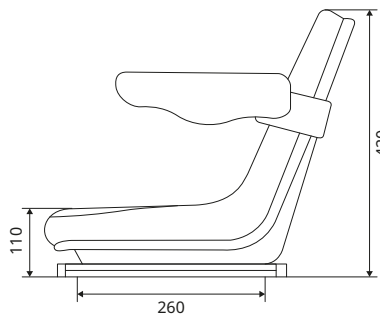
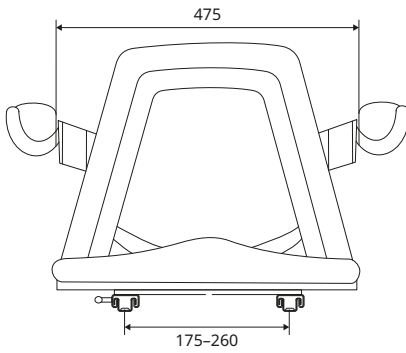
**SPARE AND OPTIONAL PARTS**

	REF General
Slide rails	<a href="#">144TA3663</a>

### TS32



**TOTALSOURCE®**



- Universal seat pan with slide rails and seat switch
- With drain hole
- Used on cleaning machines

#### COMPLETE SEATS

	REF PVC	REF Fabric
Seat pan + switch	<a href="#">145TA3347</a>	Not available

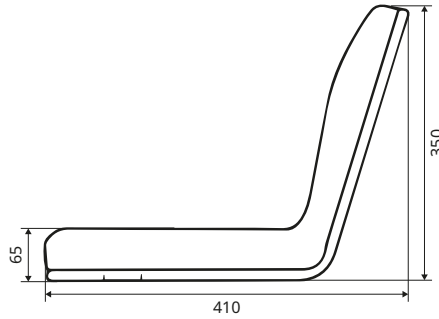
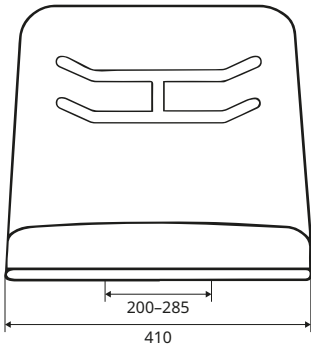
#### SPARE AND OPTIONAL PARTS

	REF General
Slide rails	<a href="#">144TA3663</a>

## TS35



**TOTALSOURCE®**



- Universal seat pan with slide rails
- Used on Hyster/Yale/Toyota

### COMPLETE SEATS

	REF PVC	REF Fabric
Seat pan	<a href="#">110TA8626</a>	<a href="#">111TA4084</a>
Seat pan + switch + document holder + seat belt	<a href="#">128TA4153</a>	On request

### SPARE AND OPTIONAL PARTS

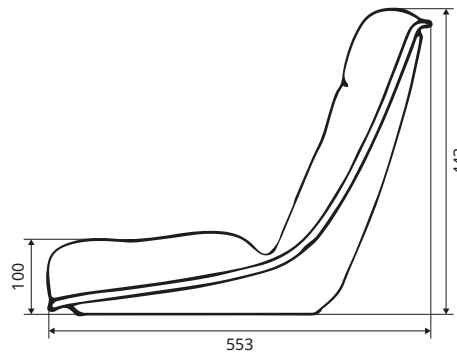
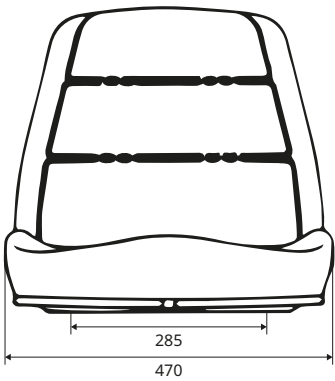
	REF General
Slide rails	<a href="#">144TA5386</a>
Switch	<a href="#">110TA9013</a>
Seat belt bracket	<a href="#">106TA5154</a>
ALR seat belt (black)	<a href="#">106TA5149*</a>

\*Only as a replacement or in combination with the universal seat belt bracket

### TS40



**TOTALSOURCE®**



- Universal seat pan
- Used on Hyster/Yale

#### COMPLETE SEATS

	REF PVC	REF Fabric
Seat pan (without rail set)	<a href="#">110TA8627</a>	Not available
Seat pan (with rail set)	<a href="#">110TA8629</a>	Not available
Seat pan + switch (with rail set)	<a href="#">128TA4156</a>	Not available

#### SPARE AND OPTIONAL PARTS

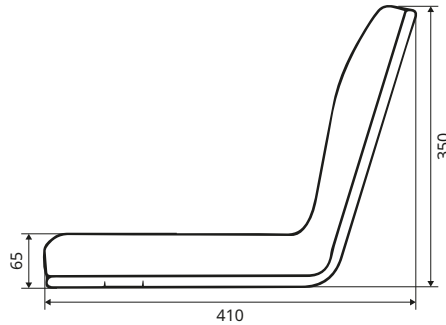
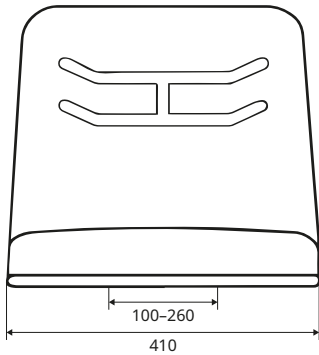
	REF General
Slide rails: 318 mm	<a href="#">144TA5386</a>
Switch	<a href="#">106TA5151</a>

All dimensions in mm.

**TS50**



**TOTALSOURCE®**



- Universal seat pan with slide rails
- With drain hole

**COMPLETE SEATS**

	REF PVC	REF Fabric
Seat pan	<a href="#">139TA6094</a>	Not available

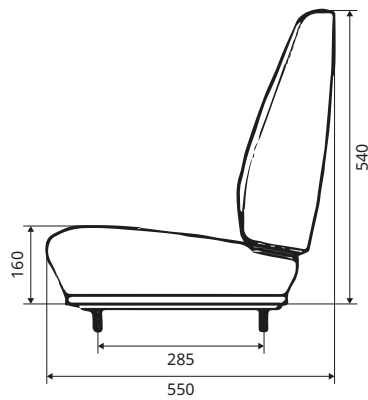
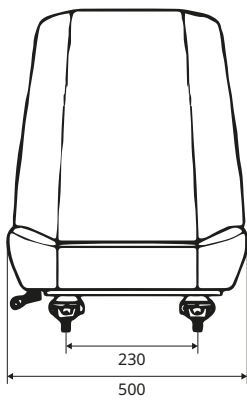
**SPARE AND OPTIONAL PARTS**

	REF General
Slide rails: 325 mm	<a href="#">147TA5201</a>

### TS200



**TOTALSOURCE®**



- Universal seat pan
- Non-suspended seat top with slide rails
- Used on Toyota and TCM

#### COMPLETE SEATS

	REF PVC	REF Fabric
Seat	<a href="#">110TA8989</a>	Not available
Seat pan + static seat belt	<a href="#">110TA8990</a>	Not available
Seat + ALR seat belt	<a href="#">110TA8991</a>	Not available

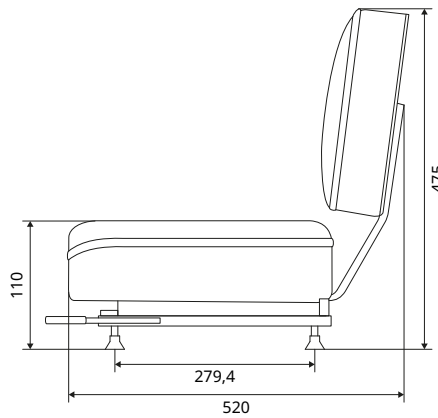
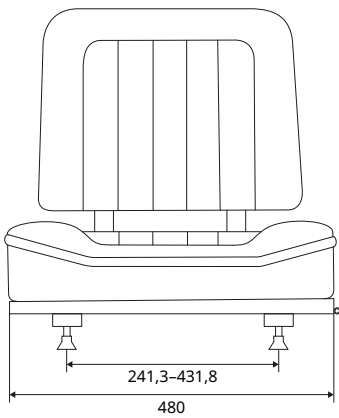
#### SPARE AND OPTIONAL PARTS

	REF General
Slide rails: 318 mm	<a href="#">144TA5386</a>
Static seat belt (black)	<a href="#">106TA5150</a>
ALR seat belt (black)	<a href="#">105TA4857</a>

## TS250



**TOTALSOURCE®**



- Universal seat pan
- Non-suspended seat top with slide rails

### COMPLETE SEATS

	REF PVC	REF Fabric
Seat	<a href="#">145TA2752</a>	Not available

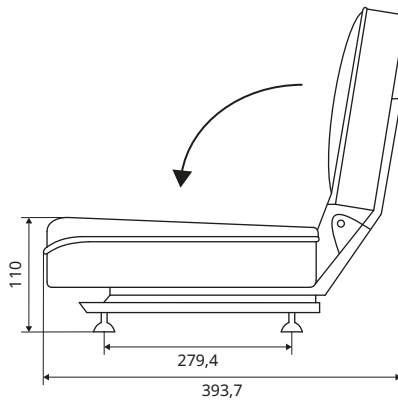
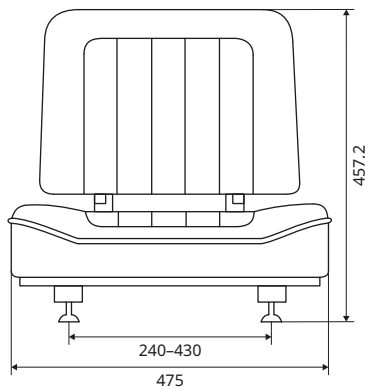
### SPARE AND OPTIONAL PARTS

	REF PVC	REF Fabric	REF General
Seat cushion	<a href="#">110TA9005</a>	Not available	
Backrest cushion	<a href="#">110TA9008</a>	Not available	
Slide rails: 318 mm			<a href="#">144TA5386</a>

### TS250-F



**TOTALSOURCE®**



- Universal seat pan
- Non-suspended seat top with slide rails
- Foldable backrest
- Ideal for LPG trucks

#### COMPLETE SEATS

	REF PVC	REF Fabric
Seat	<a href="#">106TA8608</a>	Not available

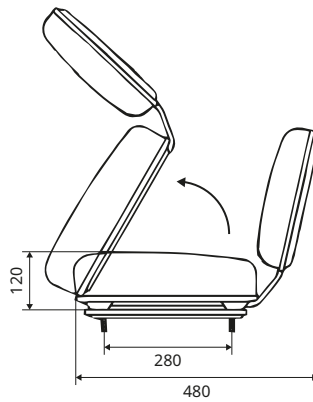
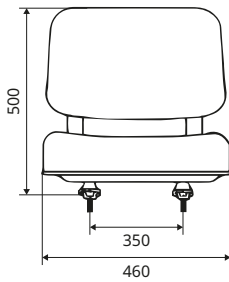
#### SPARE AND OPTIONAL PARTS

	REF PVC	REF Fabric	REF General
Seat cushion	<a href="#">110TA9005</a>	Not available	
Backrest cushion	<a href="#">110TA9008</a>	Not available	
Slide rails: 318 mm			<a href="#">144TA5386</a>

## TS250-T



**TOTALSOURCE®**



- Universal seat pan
- Non-suspended seat top with slide rails
- Tilt function

### COMPLETE SEATS

	REF PVC	REF Fabric
Seat	<a href="#">110TA9010</a>	Not available

### SPARE AND OPTIONAL PARTS

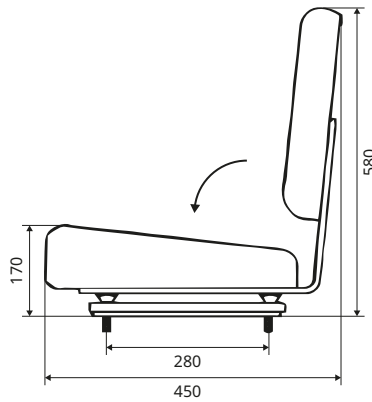
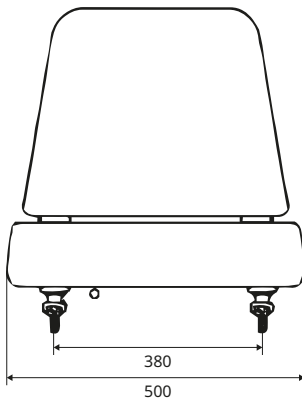
	REF PVC	REF Fabric	REF General
Seat cushion	<a href="#">110TA9005</a>	Not available	
Backrest cushion	<a href="#">110TA9008</a>	Not available	
Slide rails: 318 mm			<a href="#">144TA5386</a>

All dimensions in mm.

### TS250-TF



**TOTALSOURCE®**



- Universal seat pan
- Non-suspended seat top with slide rails
- Tilt function + foldable backrest

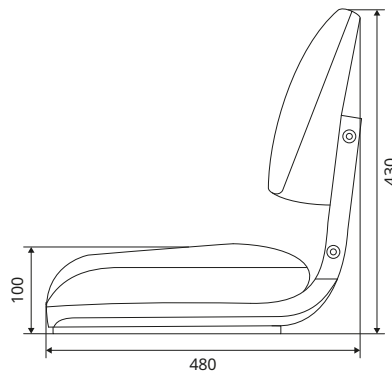
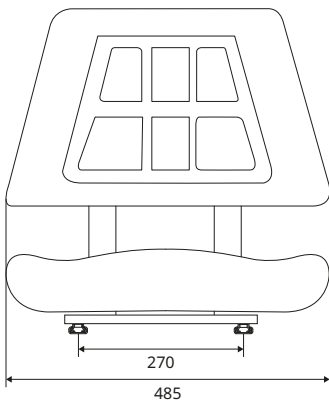
#### COMPLETE SEATS

	REF PVC	REF Fabric
Seat	<a href="#">110TA9011</a>	Not available

#### SPARE AND OPTIONAL PARTS

	REF PVC	REF Fabric	REF General
Seat cushion	<a href="#">110TA9005</a>	Not available	
Backrest cushion	<a href="#">110TA9008</a>	Not available	
Slide rails: 318 mm			<a href="#">144TA5386</a>
ALR seat belt (black)			<a href="#">108TA8537</a>

## TS300



**TOTALSOURCE®**

- Universal seat pan
- Non-suspended seat top with slide rails

### COMPLETE SEATS

	REF PVC	REF Fabric
Seat	<a href="#">110TA8813</a>	Not available
Seat + switch	<a href="#">106TA8611</a>	Not available
Seat + switch + seat belt	<a href="#">110TA8815</a>	Not available
Seat + seat belt	<a href="#">110TA8814</a>	Not available

### SPARE AND OPTIONAL PARTS

	REF PVC	REF Fabric	REF General
Seat cushion	<a href="#">110TA8816</a>	Not available	
Seat cushion + switch	Not available	Not available	
Backrest cushion	<a href="#">110TA8818</a>	Not available	
Slide rails: 360 mm			<a href="#">106TA8624</a>
Seat belt bracket			<a href="#">106TA5154</a>
ALR seat belt (black)*			<a href="#">106TA5147</a>

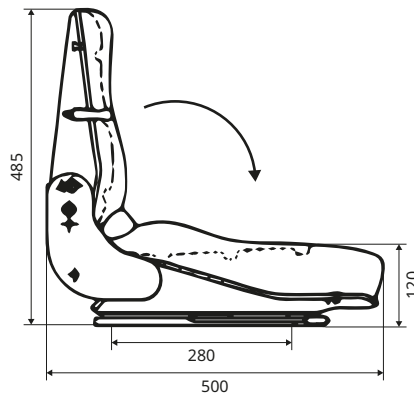
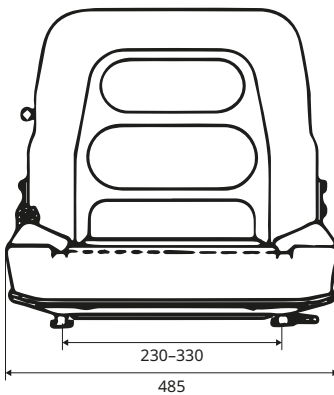
\*Only as a replacement or in combination with the universal seat belt bracket

All dimensions in mm.

### ES 10 ECO



**TOTALSOURCE®**



- Universal non-suspended seat top with foldable backrest
- Ideal for LPG trucks
- Used on Linde/Jungheinrich

#### COMPLETE SEATS

	REF PVC	REF Fabric
Seat	<a href="#">139TA4477</a>	
Seat + switch	<a href="#">139TA4686</a>	<a href="#">140TA8268</a>
Seat + switch + seat belt (without slide rails)	Not available	<a href="#">165TA8664</a>
Seat + switch + seat belt (with slide rails)	<a href="#">110TA8783</a>	
Seat + seat belt	<a href="#">139TA4478</a>	

#### SPARE AND OPTIONAL PARTS

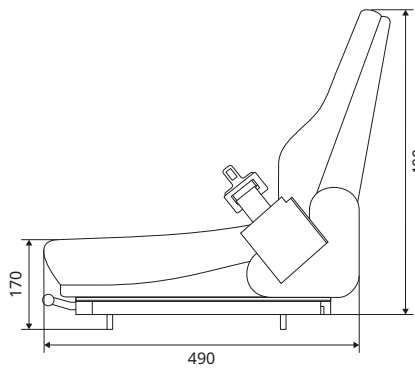
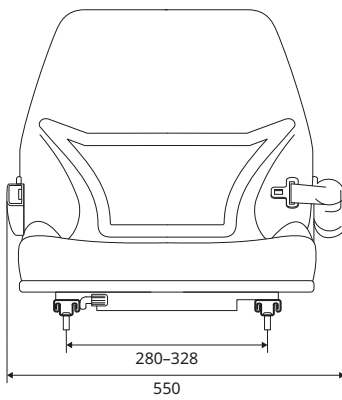
	REF PVC	REF Fabric	REF General
Seat cushion	<a href="#">152TA1950</a>	<a href="#">110TA8706</a>	
Backrest cushion	<a href="#">110TA8707</a>	<a href="#">110TA8708</a>	
Slide rails: 305 mm			<a href="#">106TA8625</a>
Switch			<a href="#">106TA5151</a>
ALR seat belt (black)			<a href="#">140TA8348</a>

All dimensions in mm.

## TS330



**TOTALSOURCE®**



- Universal non-suspended seat top with seat belt, document holder and slide rails
- Used on Clark

### COMPLETE SEATS

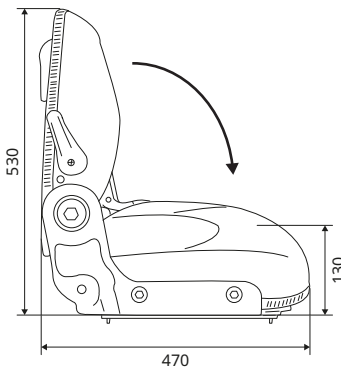
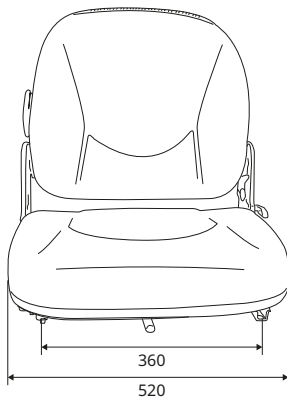
	REF PVC	REF Fabric
Seat + seat belt + document holder	<a href="#">136TA1185</a>	Not available

### SPARE AND OPTIONAL PARTS

	REF PVC	REF Fabric	REF General
Seat cushion	<a href="#">145TA2753</a>	Not available	
Backrest cushion	<a href="#">140TA1723</a>	Not available	
Slide rails LH: 357 mm			<a href="#">145TA2755</a>
Slide rails: RH 357 mm			<a href="#">145TA2754</a>
Document holder			<a href="#">145TA2757</a>
ALR seat belt (black)			<a href="#">144TA8794</a>

All dimensions in mm.

### TS350



**TOTALSOURCE®**

- Universal non-suspended seat top with foldable backrest, document pouch and slide rails
- Ideal for LPG trucks
- Used on Doosan

#### COMPLETE SEATS

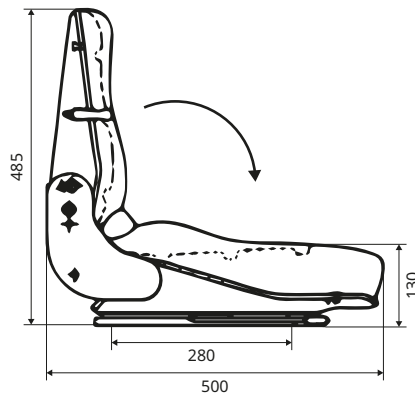
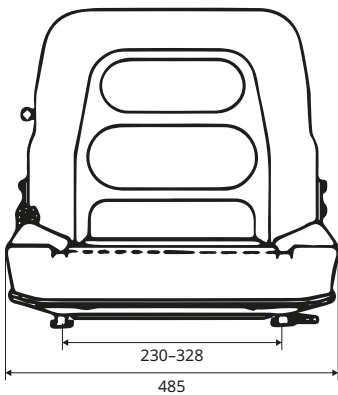
	REF PVC	REF Fabric
Seat + switch + document holder	<a href="#">126TA6070</a>	Not available
Seat + switch + document holder + seat belt	<a href="#">128TA4254</a>	

#### SPARE AND OPTIONAL PARTS

	REF PVC	REF Fabric	REF General
Seat cushion	<a href="#">128TA4255</a>	Not available	
Backrest cushion	<a href="#">128TA4256</a>	Not available	
Slide rails: 320 mm			<a href="#">139TA6009</a>
Switch			<a href="#">106TA5151</a>
ALR seat belt (black)			<a href="#">106TA5147</a>

All dimensions in mm.

## ES 12 ECO



**TOTALSOURCE®**

- Universal forklift seat with slide rails
- Semi-suspended seat
- 3 step weight adjustment
- Adjustable back
- Not for intensive use!

### COMPLETE SEATS

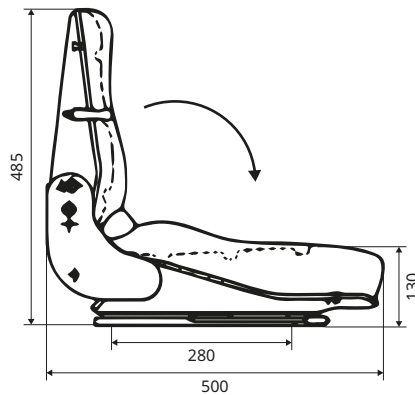
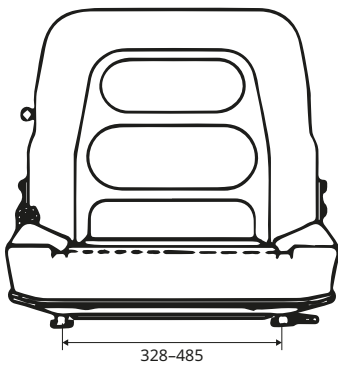
	REF PVC	REF Fabric
Seat ECO	<a href="#">131TA2739</a>	Not available
Seat ECO + switch	<a href="#">131TA2740</a>	<a href="#">123TA7575</a>
Seat ECO + switch + seat belt	<a href="#">129TA8910</a>	<a href="#">123TA7577</a>
Seat ECO + seat belt	<a href="#">129TA8909</a>	<a href="#">123TA7576</a>

### SPARE AND OPTIONAL PARTS

	REF PVC	REF Fabric	REF General
Eco seat cushion	<a href="#">122TA7479</a>	<a href="#">123TA7578</a>	
ECO seat cushion + switch	<a href="#">122TA7480</a>	<a href="#">123TA7579</a>	
ECO backrest cushion	<a href="#">122TA7481</a>	<a href="#">166TA8787</a>	
Slide rails: 305 mm			<a href="#">106TA8625</a>
Armrest kit			<a href="#">110TA8769</a>
ALR seat belt (black)			<a href="#">140TA8348</a>

All dimensions in mm.

### ES 12 HD



**TOTALSOURCE®**

- Universal forklift seat with slide rails
- Semi-suspended seat
- Adjustable back
- 3 step weight adjustment

#### COMPLETE SEATS

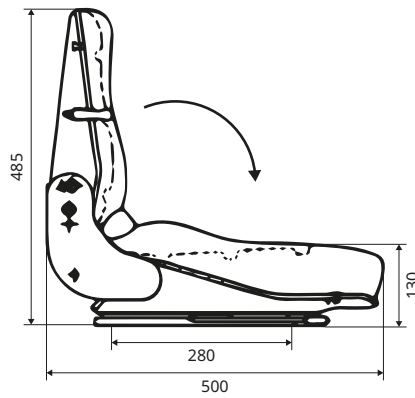
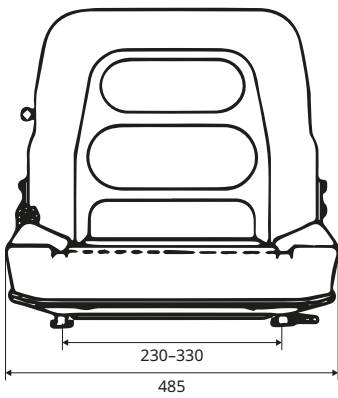
	REF PVC	REF Fabric
HD seat	<a href="#">119TA8975</a>	<a href="#">123TA7574</a>
HD seat + switch	<a href="#">139TA6015</a>	<a href="#">123TA7575</a>
HD seat + switch + seat belt	<a href="#">122TA7478</a>	<a href="#">123TA7577</a>
Seat + switch + armrests + seat belt	<a href="#">145TA2759</a>	
HD Seat + seat belt	<a href="#">122TA7477</a>	<a href="#">123TA7576</a>

#### SPARE AND OPTIONAL PARTS

	REF PVC	REF Fabric	REF General
HD seat cushion	<a href="#">107TA5258</a>	<a href="#">110TA8743</a>	
HD seat cushion + switch	<a href="#">110TA8744</a>	<a href="#">123TA7579</a>	
HD backrest cushion	<a href="#">106TA8630</a>	<a href="#">139TA6016</a>	
Slide rails: 305 mm			<a href="#">106TA8625</a>
Armrest kit			<a href="#">110TA8769</a>
ALR seat belt (black)			<a href="#">140TA8348</a>

All dimensions in mm.

## ES12 HD-F



**TOTALSOURCE®**

- Semi-suspended seat with foldable backrest and slide rails
- 3 step weight adjustment
- Universal forklift seat
- Ideal for LPG trucks

### COMPLETE SEATS

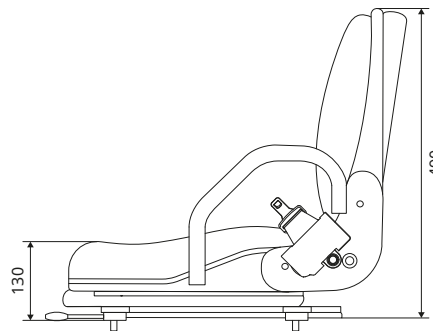
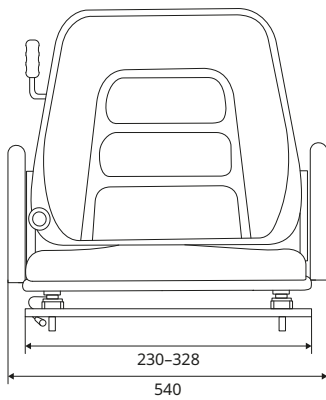
	REF PVC	REF Fabric
HD seat	<a href="#">106TA8622</a>	<a href="#">110TA8773</a>
HD seat + switch	<a href="#">110TA8771</a>	<a href="#">110TA8772</a>
HD seat + switch + seat belt	<a href="#">144TA5389</a>	
HD Seat + seat belt	<a href="#">111TA4092</a>	<a href="#">139TA6020</a>

### SPARE AND OPTIONAL PARTS

	REF PVC	REF Fabric	REF General
HD seat cushion	<a href="#">107TA5258</a>		
HD seat cushion + switch	<a href="#">110TA8744</a>	<a href="#">123TA7579</a>	
HD backrest cushion	<a href="#">106TA8630</a>	<a href="#">139TA6016</a>	
Slide rails: 305 mm			<a href="#">106TA8625</a>
ALR seat belt (black)			<a href="#">106TA5149</a>

All dimensions in mm.

### ES12 HD SH



**TOTALSOURCE®**

- Specific seat with document pouch, hip guards and slide rails
- Used on Daewoo/Doosan

#### COMPLETE SEATS

	REF PVC	REF Fabric
Seat + seat belt + switch + lumbar support + document holder	<a href="#">145TA2760</a>	<a href="#">152TA1951</a>

#### SPARE AND OPTIONAL PARTS

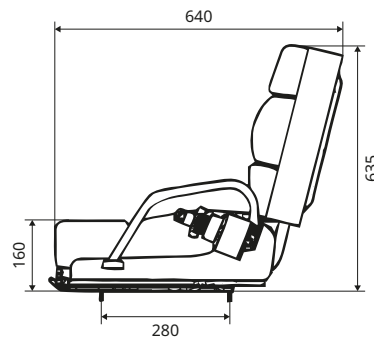
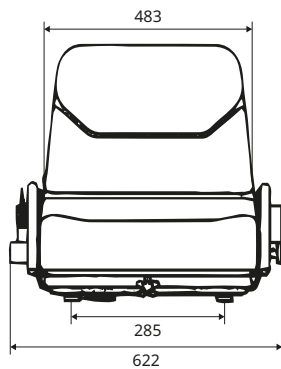
	REF PVC	REF Fabric	REF General
HD seat cushion	<a href="#">107TA5258</a>	<a href="#">110TA8743</a>	
HD seat cushion + switch	<a href="#">110TA8744</a>	<a href="#">123TA7579</a>	
HD backrest cushion	<a href="#">106TA8630</a>	<a href="#">139TA6016</a>	
Slide rails: 305 mm			<a href="#">106TA8625</a>
Hip restraints			<a href="#">128TA4175</a>
Document holder			<a href="#">107TA7952</a>
ALR seat belt (black)			<a href="#">105TA4857</a>

All dimensions in mm.

## TS1200



**TOTALSOURCE®**



- Universal forklift seat with seat belt, document pouch and slide rails
- Mechanical suspension
- Weight adjustment: 50-120 kg
- Used on Hyster

### COMPLETE SEATS

	REF PVC	REF Fabric
Seat + document holder + seat belt	<a href="#">110TA8853</a>	Not available
Seat + switch + document holder + seat belt	<a href="#">110TA8854</a>	Not available

### SPARE AND OPTIONAL PARTS

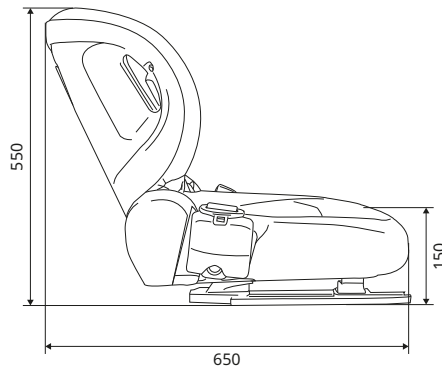
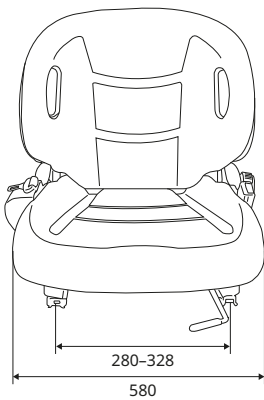
	REF PVC	REF Fabric	REF General
Seat cushion	<a href="#">110TA8855</a>	Not available	
Seat cushion + bracket + mounting parts (clips) + rod	<a href="#">128TA4185</a>	On request	
Seat cushion + bracket + mounting parts (clips) (without rod)	<a href="#">128TA4186</a>	On request	
Backrest cushion	<a href="#">145TA2761</a>	Not available	
Slide rails: 318 mm			<a href="#">144TA5386</a>
Switch			<a href="#">110TA8856</a>
ALR seat belt (black)			<a href="#">105TA4857</a>

All dimensions in mm.

### WINGBACK NON SUSPENDED



**TOTALSOURCE®**



- Universal forklift seat with seat belt and switch (OPS)
- Non-suspended seat
- Used on Toyota

### COMPLETE SEATS

	REF PVC	REF Fabric
Seat + seat belt + switch + document holder	<a href="#">131TA4894</a>	Not available

### SPARE AND OPTIONAL PARTS

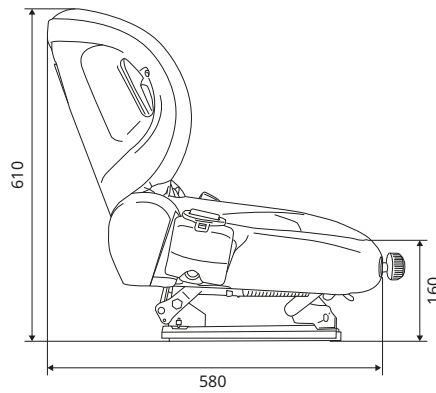
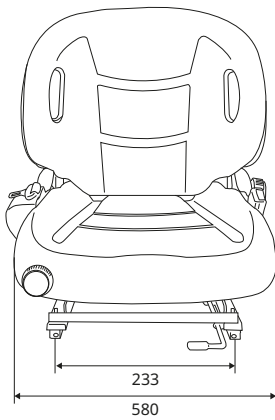
	REF PVC	REF Fabric	REF General
Seat cushion + switch	<a href="#">139TA6005</a>	Not available	
Backrest cushion	<a href="#">139TA6006</a>	Not available	
Slide rails: 320 mm			<a href="#">139TA6009</a>
Switch			<a href="#">139TA6007</a>
ALR seat belt (orange)			<a href="#">143TA7594</a>
ALR seat belt (black)			<a href="#">140TA8348</a>

All dimensions in mm.

## WINGBACK MECHANICAL SUSPENSION



**TOTALSOURCE®**



- Universal forklift seat with seat belt, switch (OPS) and slide rails
- Mechanical suspension
- Weight adjustment: 40-120 kg
- Used on Toyota

### COMPLETE SEATS

	REF PVC	REF Fabric
Seat + seat belt (orange) + switch	<a href="#">165TA8665</a>	
Seat + seat belt + switch + document holder	<a href="#">136TA1247</a>	Not available

### SPARE AND OPTIONAL PARTS

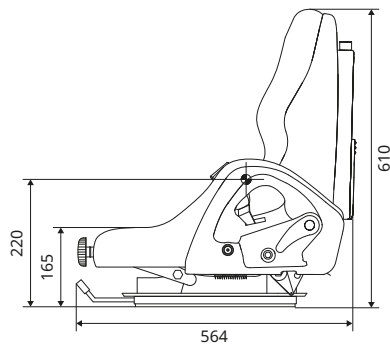
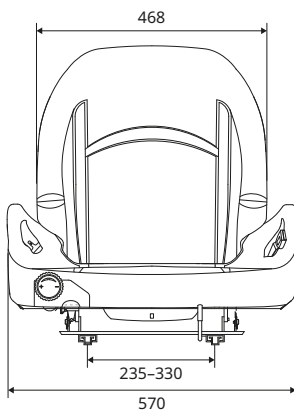
	REF PVC	REF Fabric	REF General
Seat cushion + switch	<a href="#">139TA6005</a>	Not available	
Backrest cushion	<a href="#">139TA6006</a>	Not available	
Slide rails: 320 mm			<a href="#">139TA6009</a>
Switch			<a href="#">139TA6007</a>
ALR seat belt (black)			Not available

All dimensions in mm.

### WINGBACK NEXT GENERATION



**TOTALSOURCE®**



- Universal forklift seat with seat belt, switch (OPS), hip guard and slide rails
- Mechanical suspension
- Weight adjustment: 40–120 kg
- Used on TCM/Komatsu/Mitsubishi/Nissan

#### COMPLETE SEATS

	REF PVC	REF Fabric
Seat + seat belt + switch + document holder	<a href="#">136TA1246</a>	Not available

#### SPARE AND OPTIONAL PARTS

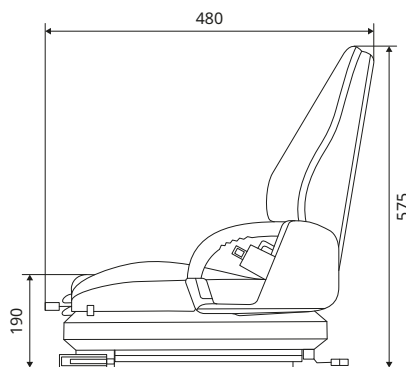
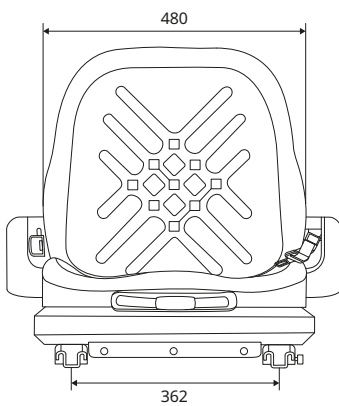
	REF PVC	REF Fabric	REF General
Seat cushion	<a href="#">139TA6011</a>	Not available	
Backrest cushion	<a href="#">139TA6012</a>	Not available	
Slide rails: 320 mm			<a href="#">166TA6024</a>
Switch			<a href="#">139TA6007</a>
ALR seat belt (black)			<a href="#">139TA6013</a>

All dimensions in mm.

## TS240



**TOTALSOURCE®**



- Universal forklift seat with seat belt, switch (OPS), hip guard and slide rails
- Mechanical suspension
- Weight adjustment: 50-110 kg
- Used on Doosan

### COMPLETE SEATS

	REF PVC	REF Fabric
Seat + seat belt + switch	<a href="#">144TA5390</a>	Not available
Seat + seat belt + switch + armrests + document holder	<a href="#">147TA5200</a>	Not available

### SPARE AND OPTIONAL PARTS

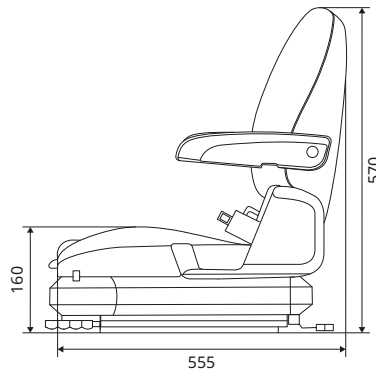
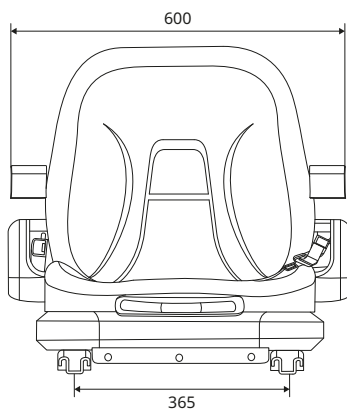
	REF PVC	REF Fabric	REF General
Seat cushion	<a href="#">144TA5391</a>	Not available	
Backrest cushion	<a href="#">144TA5412</a>	Not available	
Slide rails: 320 mm			<a href="#">144TA5414</a>
Switch			<a href="#">144TA5413</a>
ALR seat belt (black) + switch			<a href="#">165TA8666</a>
ALR seat belt (black) + switch			<a href="#">140TA1731</a>
ALR seat belt (black)			<a href="#">145TA2785</a>

All dimensions in mm.

### T585



**TOTALSOURCE®**



- Universal forklift seat with seat belt, switch (OPS) and slide rails
- Mechanical suspension
- Weight adjustment: 40–120 kg
- Used on Doosan

#### COMPLETE SEATS

	REF
Seat + seat belt + switch + document holder	PVC On request
Seat + seat belt + switch + armrests + document holder	<a href="#">145TA2786</a>

#### SPARE AND OPTIONAL PARTS

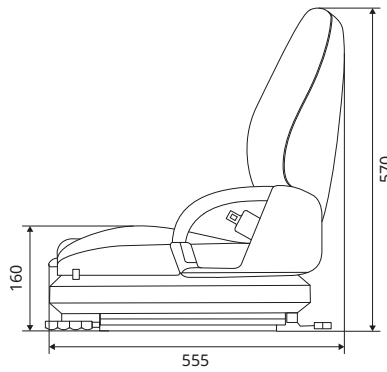
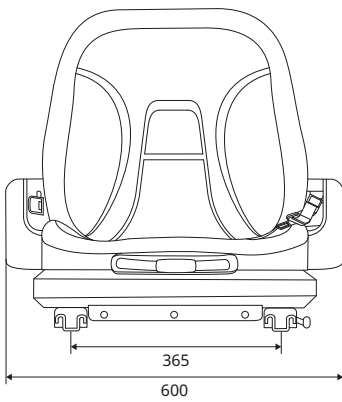
	REF	REF
	PVC	General
Seat cushion	<a href="#">140TA1727</a>	
Backrest cushion	<a href="#">145TA2787</a>	
Slide rails: 327 mm		<a href="#">145TA2788</a>
Switch		<a href="#">110TA9013</a>
Armrest LH		<a href="#">147TA5202</a>
ALR seat belt (black) + switch		<a href="#">140TA1731</a>

All dimensions in mm.

## T586



**TOTALSOURCE®**



- Universal forklift seat with seat belt, switch (OPS), hipguards and slide rails
- Mechanical suspension
- Weight adjustment: 40-120 kg
- Used on Doosan

### COMPLETE SEATS

	REF PVC	REF Fabric
Seat + seat belt + switch + document holder	<a href="#">139TA6080</a>	<a href="#">140TA1726</a>

### SPARE AND OPTIONAL PARTS

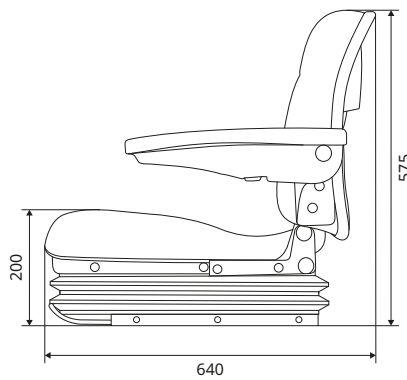
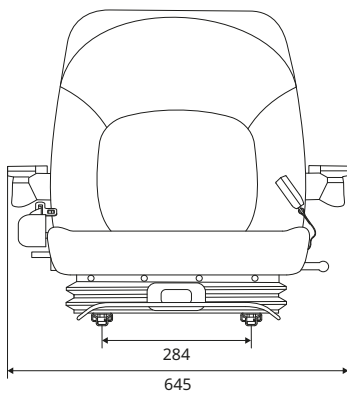
	REF PVC	REF Fabric	REF General
Seat cushion	<a href="#">140TA1727</a>	<a href="#">140TA1728</a>	
Backrest cushion	<a href="#">145TA2787</a>	<a href="#">140TA1730</a>	
Slide rails: 327 mm			<a href="#">145TA2788</a>
Switch			<a href="#">110TA9013</a>
ALR seat belt (black) + switch			<a href="#">140TA1731</a>

All dimensions in mm.

### ES29



**TOTALSOURCE®**



- Universal forklift seat with seat belt, armrests and slide rails
- Mechanical suspension
- Weight adjustment: 50–130 kg
- Used on Hyundai

#### COMPLETE SEATS

	REF PVC	REF Fabric
Seat + seat belt + armrests + document holders	<a href="#">145TA2789</a>	Not available
Seat + seat belt + switch + armrests + document holder	<a href="#">145TA2790</a>	Not available

#### SPARE AND OPTIONAL PARTS

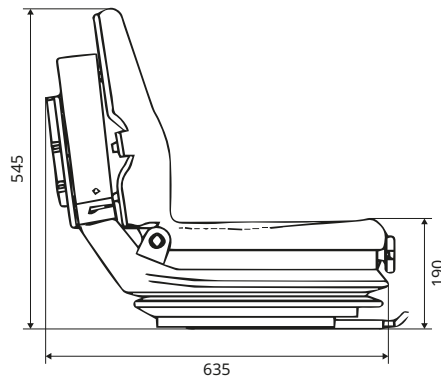
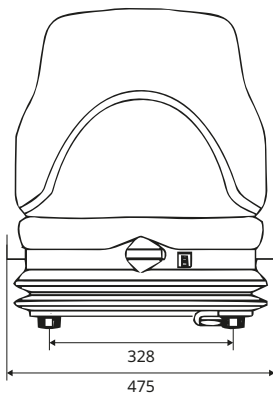
	REF PVC	REF Fabric	REF General
Seat cushion	<a href="#">145TA2791</a>	Not available	
Backrest cushion	<a href="#">145TA2792</a>	Not available	
Switch			<a href="#">106TA5151</a>
ALR seat belt (black)			<a href="#">105TA4857</a>

All dimensions in mm.

## TECHNICO



**TOTALSOURCE®**



- Universal forklift seat with slide rails
- Mechanical suspension
- Weight adjustment: 50-130 kg
- Used on Mitsubishi

### COMPLETE SEATS

	REF PVC	REF Fabric
Seat	<a href="#">110TA8799</a>	<a href="#">166TA8788</a>
Seat + switch	<a href="#">123TA7555</a>	<a href="#">111TA4094</a>
Seat + switch + seat belt	<a href="#">110TA8804</a>	<a href="#">110TA8805</a>
Seat + document holder	<a href="#">110TA8799</a>	On request
Seat + document holder + seat belt	<a href="#">110TA8803</a>	On request

### SPARE AND OPTIONAL PARTS

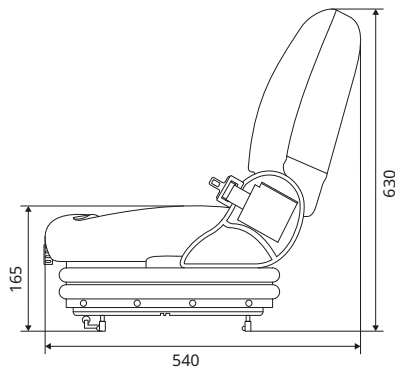
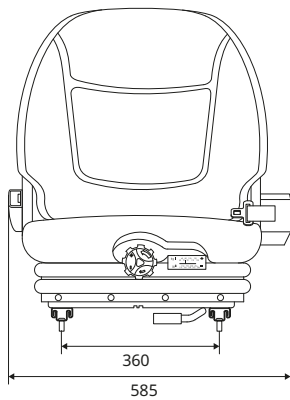
	REF PVC	REF Fabric	REF General
Seat cushion (black)	<a href="#">123TA7556</a>	<a href="#">129TA7741</a>	
Seat cushion (grey)	<a href="#">144TA3652</a>		
Backrest cushion	<a href="#">123TA7557</a>	<a href="#">129TA7742</a>	
Backrest cushion (grey)	<a href="#">144TA3653</a>		
Slide rails: 325 mm			<a href="#">123TA7559</a>
Switch			<a href="#">128TA4174</a>
Armrest kit			<a href="#">110TA8812</a>
ALR seat belt (black)			<a href="#">108TA8537</a>

All dimensions in mm.

### TS87



**TOTALSOURCE®**



- Universal forklift seat with seat belt, document holder and slide rails
- Mechanical suspension
- Weight adjustment: 50–130 kg
- Used on Clark

#### COMPLETE SEATS

	REF PVC
Seat + switch	<a href="#">165TA9412</a>
Seat + document holder + seat belt	<a href="#">139TA6079</a>

#### SPARE AND OPTIONAL PARTS

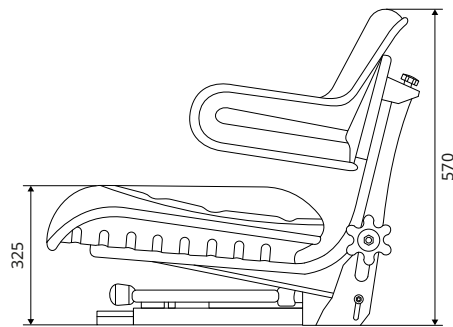
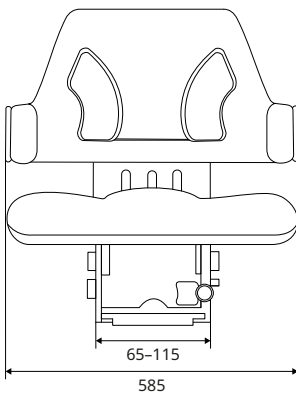
	REF PVC	REF Fabric	REF General
Seat cushion	<a href="#">140TA1724</a>	<a href="#">145TA2817</a>	
Backrest cushion	Not available	<a href="#">145TA2818</a>	
Slide rails: LH 357 mm (with lever)			<a href="#">145TA2815</a>
Slide rails: RH 357 mm (without lever)			<a href="#">145TA2754</a>
Switch			<a href="#">145TA2814</a>
ALR seat belt (black)			<a href="#">144TA8794</a>

All dimensions in mm.

## TS303



**TOTALSOURCE**<sup>®</sup>



- Universal forklift seat
- Mechanical suspension
- Weight adjustment: 50-120 kg

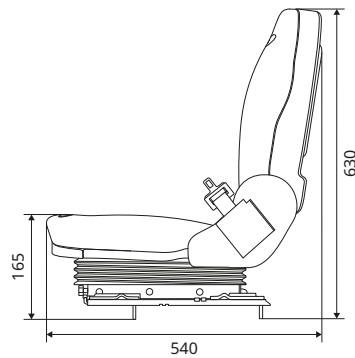
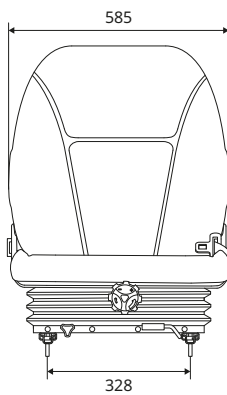
### COMPLETE SEATS

	REF PVC	REF Fabric
Seat	<a href="#">145TA2825</a>	Not available

### ES32



**TOTALSOURCE®**



- Universal forklift seat with seat belt, switch (OPS) and slide rails
- Mechanical suspension
- Weight adjustment: 50–130 kg
- Used on Clark

#### COMPLETE SEATS

	REF PVC	REF Fabric
Seat + switch + seat belt + document holder	<a href="#">145TA2829</a>	Not available

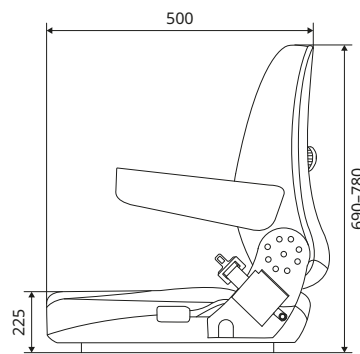
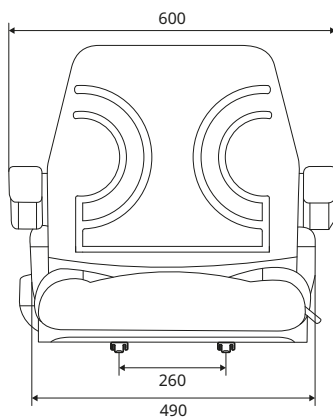
#### SPARE AND OPTIONAL PARTS

	REF PVC	REF Fabric	REF General
Seat cushion	<a href="#">145TA2830</a>	Not available	
Backrest cushion	<a href="#">145TA2831</a>	Not available	
ELR LH seat belt (black)			<a href="#">144TA6914</a>

## ES33



**TOTALSOURCE®**



- Universal forklift seat with seat belt, switch (OPS) and slide rails
- Mechanical suspension
- Weight adjustment: 50-130 kg

### COMPLETE SEATS

	REF PVC	REF Fabric
Seat + seat belt + switch	<a href="#">145TA2832</a>	Not available

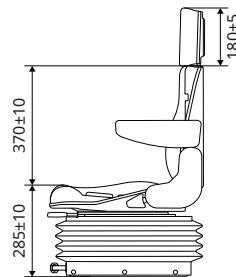
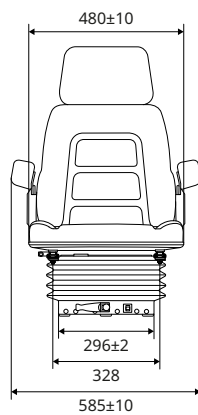
### SPARE AND OPTIONAL PARTS

	REF PVC	REF Fabric	REF General
Seat cushion	<a href="#">145TA2833</a>	Not available	
Backrest cushion	<a href="#">145TA2834</a>	Not available	
Switch			<a href="#">106TA5151</a>
Armrest			<a href="#">147TA5204</a>
ALR seat belt (black)			<a href="#">106TA5147</a>

### ES85/90



**TOTALSOURCE®**



- Mechanical suspended seat with foldable back and slide rails
- Weight adjustment: 60–120 kg

#### COMPLETE SEATS

	REF PVC	REF Fabric
Seat	<a href="#">147TA3001</a>	<a href="#">152TA1952</a>
Seat + switch	<a href="#">110TA8844</a>	<a href="#">152TA1954</a>
Seat + seat belt	<a href="#">147TA3002</a>	<a href="#">152TA1953</a>

#### SPARE AND OPTIONAL PARTS

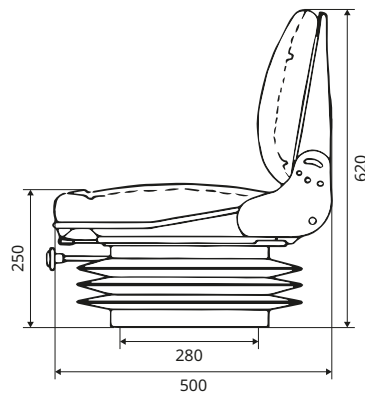
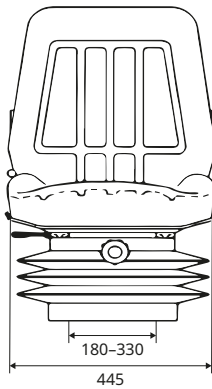
	REF PVC	REF Fabric	REF General
Seat cushion	<a href="#">106TA8627</a>	<a href="#">110TA8794</a>	
Backrest cushion	<a href="#">106TA8629</a>	<a href="#">145TA2835</a>	
Slide rails: 360 mm			<a href="#">106TA8624</a>
Switch			<a href="#">106TA5153</a>
ALR seat belt (black)			<a href="#">106TA5147</a>

All dimensions in mm.

## VS85V



**TOTALSOURCE®**



- Mechanical suspended seat with slide rails
- Weight adjustment: 60-120 kg

### COMPLETE SEATS

	REF PVC	REF Fabric
Seat	<a href="#">105TA4616</a>	<a href="#">110TA8786</a>
Seat + switch	<a href="#">110TA8787</a>	<a href="#">110TA8788</a>
Seat + switch + seat belt	<a href="#">110TA8791</a>	<a href="#">110TA8792</a>
Seat + seat belt	<a href="#">110TA8789</a>	<a href="#">110TA8790</a>

### SPARE AND OPTIONAL PARTS

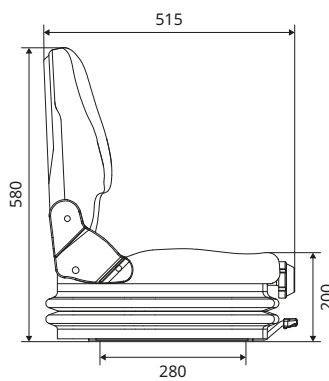
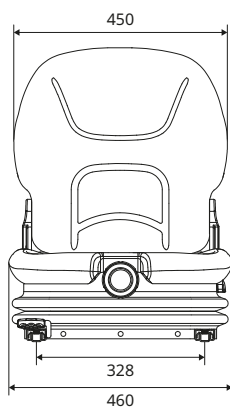
	REF PVC	REF Fabric	REF General
Seat cushion	<a href="#">110TA8793</a>	<a href="#">110TA8794</a>	
Backrest cushion	<a href="#">110TA8795</a>	<a href="#">110TA8796</a>	
Headrest	<a href="#">110TA8797</a>	<a href="#">110TA8798</a>	
Slide rails: 305 mm			<a href="#">106TA8625</a>
Switch			<a href="#">106TA5151</a>
Armrest kit			<a href="#">123TA7538</a>
ALR seat belt (black)			<a href="#">106TA5147</a>

All dimensions in mm.

### ES2300L



**TOTALSOURCE®**



- Universal forklift seat with seat belt, switch (OPS) and slide rails
- Mechanical suspension
- Weight adjustment: 50–120 kg

#### COMPLETE SEATS

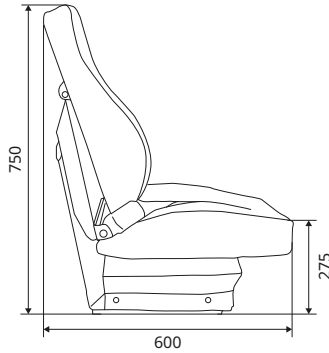
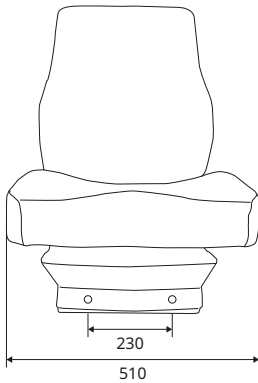
	REF PVC	REF Fabric
Seat + switch + seat belt	<a href="#">136TA1181</a>	<a href="#">166TA8792</a>
Seat + switch	On request	<a href="#">166TA8791</a>

#### SPARE AND OPTIONAL PARTS

	REF PVC	REF Fabric	REF General
Seat cushion	<a href="#">144TA8792</a>	<a href="#">166TA8790</a>	
Backrest cushion	<a href="#">144TA8793</a>	<a href="#">166TA8789</a>	
Headrest			<a href="#">144TA8796</a>
Switch			<a href="#">144TA8792</a>
ALR seat belt (black)			<a href="#">144TA8794</a>

All dimensions in mm.

## TS136



**TOTALSOURCE®**

- Universal seat
- Mechanical suspension
- Weight adjustment: 60-130 kg
- Used on Manitou

### COMPLETE SEATS

	REF PVC	REF Fabric
Seat + switch	<a href="#">144TA3680</a>	On request
Seat + switch + seat belt	<a href="#">141TA1590</a>	<a href="#">144TA3681</a>
Seat + seat belt	<a href="#">139TA6105</a>	On request

### SPARE AND OPTIONAL PARTS

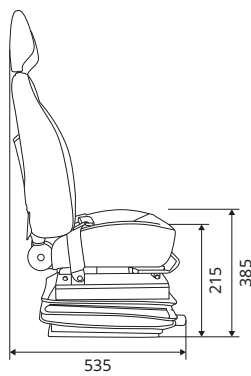
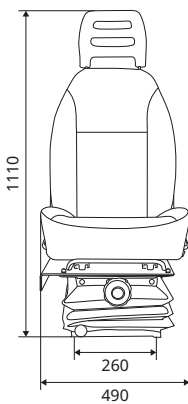
	REF PVC	REF Fabric	REF General
Seat cushion	<a href="#">140TA1741</a>	<a href="#">140TA1742</a>	
Seat cushion + switch	<a href="#">140TA8740</a>		
Backrest cushion	<a href="#">140TA1743</a>	<a href="#">140TA1744</a>	
Slide rails			<a href="#">144TA3682</a>
Static seat belt (black)			<a href="#">152TA4204</a>

All dimensions in mm.

### TS345



**TOTALSOURCE®**



- Universal seat
- Mechanical suspension
- Weight adjustment: 50-150 kg

#### COMPLETE SEATS

	REF PVC	REF Fabric
Seat + head rest + switch + seat belt	<a href="#">166TA8781</a>	<a href="#">166TA6026</a>

#### SPARE AND OPTIONAL PARTS

	REF PVC	REF Fabric	REF General
Seat cushion	On request	<a href="#">166TA7051</a>	
Backrest cushion	On request	On request	
Headrest	On request	On request	
Slide rails			On request
Switch			<a href="#">139TA6494</a>
Static seat belt (black)			<a href="#">152TA4204</a>

All dimensions in mm.

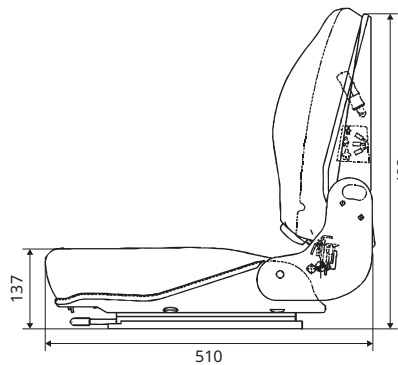
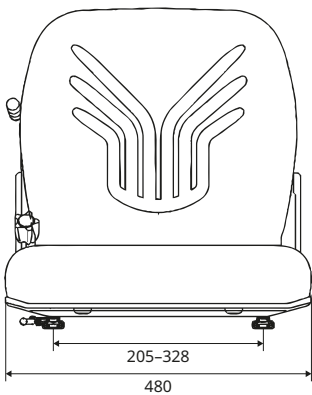






02.  
**GRAMMER**

## B12



- Universal forklift seat
- Semi-suspended seat
- 3 step weight adjustment (50–120kg)
- Backrest angle adjustment

### COMPLETE SEATS

	REF PVC	REF Old fabric
Seat	<a href="#">126TA6087</a>	<a href="#">165TA9467</a>
Seat + switch	<a href="#">126TA6088</a>	
Seat + switch + seat belt	<a href="#">151TA2331</a>	<a href="#">166TA7984</a>



PVC

### SPARE AND OPTIONAL PARTS

	REF PVC	REF Old fabric	REF General
Seat cushion	<a href="#">165TA9470</a>	<a href="#">165TA7506</a>	<a href="#">147TA3451</a>
Backrest cushion	<a href="#">141TA5249</a>	<a href="#">165TA7507</a>	
Slide rails			<a href="#">147TA3451</a>
Switch			<a href="#">165TA7508*</a>
Armrest LH			<a href="#">141TA4949</a>
Armrest RH			<a href="#">141TA4950</a>
Document holder			<a href="#">141TA4954</a>
ALR seat belt (Black)			<a href="#">106TA5147</a>



Old fabric



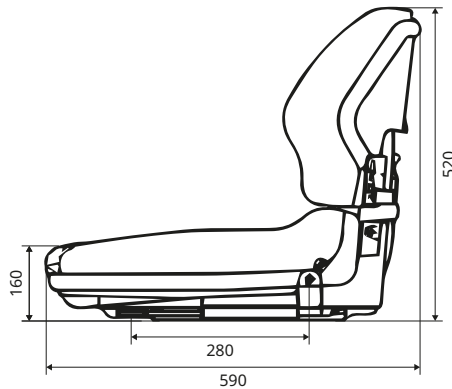
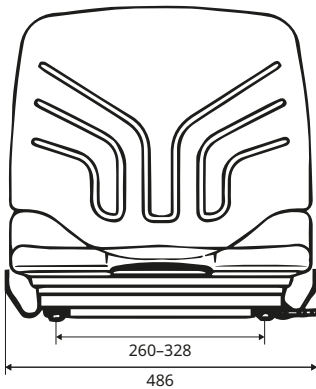
New fabric



Black fabric

\*Only as a replacement part

## MSG 20



- Universal forklift seat
- Mechanical suspension
- Weight adjustment: 50–130 kg

### COMPLETE SEATS

	REF PVC	REF Old fabric	REF New fabric	REF Black fabric
Seat	<a href="#">110TA8669</a>	<a href="#">110TA8670</a>	On request	<a href="#">116TA6080</a>
Seat + switch	<a href="#">110TA8671</a>	On request	<a href="#">144TA6912</a>	On request
Seat + switch + document holder + seat belt	<a href="#">128TA4161</a>	On request	On request	<a href="#">128TA4162</a>
Seat + switch + seat belt	<a href="#">141TA4932</a>	On request	On request	<a href="#">147TA4632</a>
Seat + armrests	<a href="#">110TA8677</a>	<a href="#">110TA8678</a>	On request	On request
Seat + seat belt	<a href="#">110TA8673</a>	On request	On request	<a href="#">110TA8674</a>



PVC



Old fabric



New fabric



Black fabric

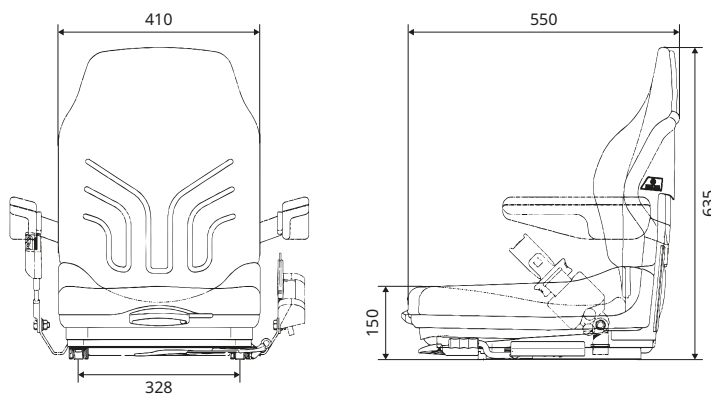
### SPARE AND OPTIONAL PARTS

	REF PVC	REF Old fabric	REF New fabric	REF Black fabric	REF General
Seat cushion	<a href="#">110TA8681</a>	<a href="#">145TA2600</a>	<a href="#">144TA3684</a>	<a href="#">110TA8682</a>	
Backrest cushion	<a href="#">165TA9533</a>	<a href="#">145TA2601</a>	<a href="#">144TA3685</a>	<a href="#">110TA8684</a>	
Seat cushion heated (12/24 V)	<a href="#">129TA7775</a>				
Seat cushion kit heated (12 V)	<a href="#">141TA4945</a>				
Seat cushion kit heated (12/24 V)*		<a href="#">141TA4943</a>	<a href="#">145TA2599</a>		
Backrest heated cushion (12 V)				<a href="#">147TA3452</a>	
Backrest heated cushion (48 V)	<a href="#">129TA7778</a>	<a href="#">141TA4944</a>	<a href="#">141TA4944</a>	<a href="#">147TA3453</a>	
Seat cushion kit heated (12 V)	<a href="#">141TA4946</a>				
Cable set heating (12 V)					<a href="#">152TA2032</a>
Cable set heating (24 V)					<a href="#">152TA2033</a>
Slide rails: 344 mm					<a href="#">165TA9599</a>
Slide rails: 345 mm					<a href="#">165TA9531</a>
Switch					<a href="#">165TA9530</a>
Switch connection plate					<a href="#">152TA2034</a>
Armrest LH					<a href="#">110TA8648</a>
Armrest RH					<a href="#">110TA8649</a>
Document holder					<a href="#">107TA7952</a>
ALR seat belt (black)					<a href="#">106TA5149</a>

\*Only available as complete kit

All dimensions in mm. For more info on the differences between the old and new fabrics see the Nice to know chapter.

## MSG 20 NARROW



- Universal forklift seat
- Mechanical suspension
- Weight adjustment: 50–130 kg

### COMPLETE SEATS

	REF PVC	REF New fabric
Seat	<a href="#">165TA9538</a>	<a href="#">165TA9534</a>
Seat + switch	<a href="#">165TA9539</a>	<a href="#">144TA3683</a>
Seat heated (12 V) + switch	<a href="#">129TA7738</a>	
Seat heated (24 V) + switch	<a href="#">128TA4158</a>	
Seat heated (48 V) + switch	<a href="#">128TA4159</a>	
Seat + switch + seat belt	<a href="#">110TA8639</a>	<a href="#">145TA2602</a>
Seat + seat belt	<a href="#">110TA8637</a>	<a href="#">147TA5079</a>



PVC



Old fabric



New fabric



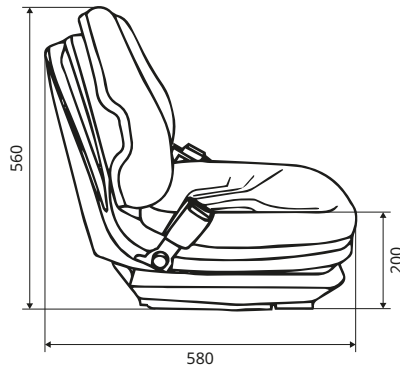
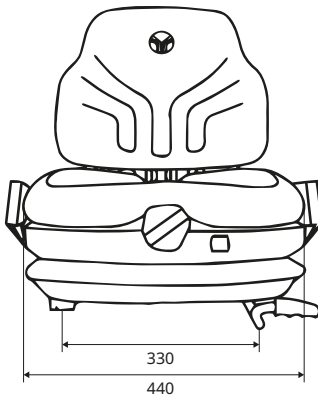
Black fabric

### SPARE AND OPTIONAL PARTS

	REF PVC	REF Old fabric	REF New fabric	REF General
Seat cushion	<a href="#">110TA8641</a>	<a href="#">145TA2687</a>	<a href="#">145TA2603</a>	
Backrest cushion	<a href="#">110TA8643</a>	<a href="#">145TA2688</a>	<a href="#">145TA2604</a>	
Seat cushion kit heated (12/24 V)	<a href="#">141TA4947</a>	<a href="#">141TA4943</a>	<a href="#">145TA2599</a>	
Seat cushion kit heated (48 V)	<a href="#">141TA4948</a>	<a href="#">141TA4944</a>	<a href="#">165TA2909</a>	
Slide rails: 315 mm				<a href="#">123TA7554</a>
Switch				<a href="#">165TA9530</a>
Switch connection plate				<a href="#">152TA2034</a>
Armrest LH				<a href="#">110TA8648</a>
Armrest RH				<a href="#">110TA8649</a>
Document holder				<a href="#">107TA7952</a>
ALR seat belt (black)				<a href="#">106TA5149</a>

All dimensions in mm. For more info on the differences between the old and new fabrics see the Nice to know chapter.

## MSG 30



- Universal forklift seat
- Mechanical suspension
- Weight adjustment: 50–130 kg

### COMPLETE SEATS

	REF
Seat	PVC Not available

### SPARE AND OPTIONAL PARTS

	REF PVC	REF Old fabric	REF Black fabric	REF General
Seat cushion	<a href="#">110TA8731</a>	<a href="#">147TA3454</a>	<a href="#">110TA8732</a>	
Backrest cushion	<a href="#">110TA3733</a>		<a href="#">110TA8734</a>	
Slide rails: 325 mm				<a href="#">123TA7554</a>
Switch				<a href="#">110TA8725</a>
Armrest LH				<a href="#">110TA8737</a>
Armrest RH				<a href="#">110TA8738</a>
Static seat belt (black)				<a href="#">110TA8685</a>
MUR seat belt				<a href="#">139TA5789</a>



PVC



Old fabric



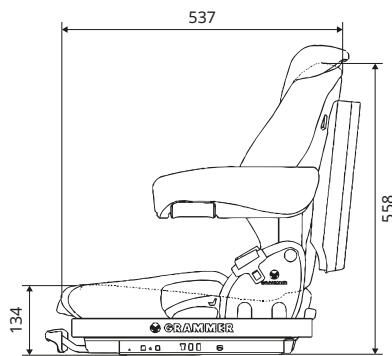
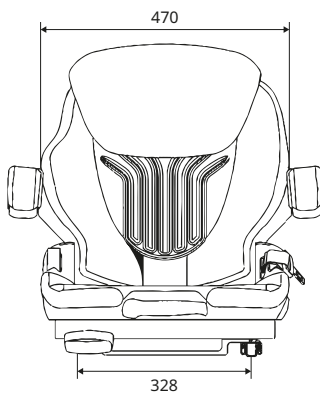
New fabric



Black fabric

All dimensions in mm. For more info on the differences between the old and new fabrics see the Nice to know chapter.

## PRIMO M (MSG65/521)



- Universal forklift seat
- Mechanical suspension
- Weight adjustment: 45–170 kg

### COMPLETE SEATS

	REF PVC	REF Old fabric	REF New fabric
Seat	<a href="#">163TA7980</a>	On request	<a href="#">165TA9545</a>
Seat + switch + seat belt	<a href="#">139TA6029</a>	<a href="#">123TA7627</a>	<a href="#">145TA2609</a>



PVC

### SPARE AND OPTIONAL PARTS

	REF PVC	REF Old fabric	REF New fabric	REF Black fabric	REF General
Seat cushion	<a href="#">125TA6332</a>	<a href="#">125TA6335</a>	<a href="#">144TA3687</a>	<a href="#">165TA9541</a>	
Backrest cushion	<a href="#">125TA6333</a>	<a href="#">125TA6336</a>	<a href="#">144TA3688</a>	<a href="#">145TA2614</a>	
Headrest	<a href="#">128TA4164</a>		<a href="#">147TA5195</a>		
Headrest height adjustable			<a href="#">144TA3690</a>		
Seat cushion heated (12/24 V)	<a href="#">141TA4984</a>	<a href="#">141TA4982</a>	<a href="#">145TA2608</a>	<a href="#">165TA9542</a>	
Seat cushion heated (48 V)	<a href="#">141TA4989</a>	<a href="#">141TA4991</a>	<a href="#">141TA4991</a>		
Backrest cushion heated (12/24 V)	<a href="#">141TA4985</a>	<a href="#">141TA4983</a>	<a href="#">145TA2612</a>	<a href="#">165TA9540</a>	
Backrest cushion heated (48 V)	<a href="#">141TA4990</a>	<a href="#">141TA4992</a>	<a href="#">141TA4992</a>		
Cable adapter heating					<a href="#">141TA5087</a>
Cable set heating (12 V)					<a href="#">141TA4978</a>
Cable set heating (24 V)					<a href="#">141TA4994</a>
Cable set heating (48 V)					<a href="#">141TA4995</a>
Cable adapter heating					<a href="#">141TA4997</a>
Slide rails: 315 mm			<a href="#">144TA3689</a>		
Slide rails: 325 mm			<a href="#">165TA9543</a>		
Switch					<a href="#">141TA4996</a>
Armrest LH					<a href="#">141TA4973</a>
Armrest RH					<a href="#">141TA4961</a>
Document holder (storage net)					<a href="#">141TA5001</a>
Document holder					<a href="#">141TA4913</a>
ELR seat belt (black)					<a href="#">144TA6914</a>



Old fabric



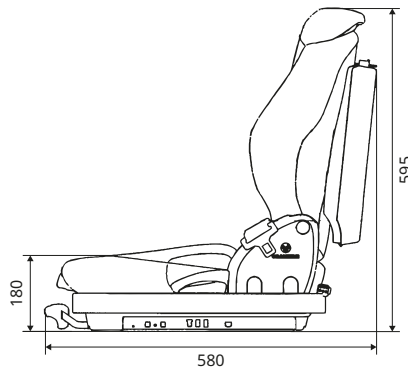
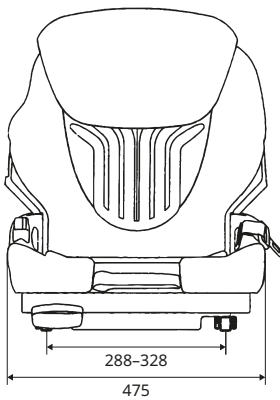
New fabric



Black fabric

All dimensions in mm. For more info on the differences between the old and new fabrics see the Nice to know chapter.

## PRIMO XM (MSG65/521)



- Universal forklift seat with armrests and headrest
- Mechanical suspension
- Weight adjustment: 45–170 kg

### COMPLETE SEATS

	REF PVC	REF Old fabric	REF New fabric
Seat		<a href="#">123TA7627</a>	
Seat + switch + armrests + seat belt	<a href="#">145TA2610</a>		<a href="#">145TA2611</a>
Seat + switch + seat belt	<a href="#">141TA4988</a>		<a href="#">144TA3686</a>



PVC

### SPARE AND OPTIONAL PARTS

	REF PVC	REF Old fabric	REF New fabric	REF Black fabric	REF General
Seat cushion	<a href="#">125TA6332</a>	<a href="#">125TA6335</a>	<a href="#">144TA3687</a>	<a href="#">165TA9541</a>	
Backrest cushion	<a href="#">125TA6333</a>	<a href="#">125TA6336</a>	<a href="#">144TA3688</a>	<a href="#">145TA2614</a>	
Headrest	<a href="#">141TA4987</a>	<a href="#">141TA4965</a>	<a href="#">144TA3690</a>		
Seat cushion heated (12/24 V)	<a href="#">141TA4984</a>	<a href="#">141TA4982</a>	<a href="#">145TA2608</a>	<a href="#">165TA9542</a>	
Seat cushion heated (48 V)	<a href="#">141TA4989</a>		<a href="#">141TA4991</a>		
Backrest cushion heated (12/24 V)	<a href="#">141TA4985</a>	<a href="#">141TA4983</a>	<a href="#">145TA2612</a>	<a href="#">165TA9540</a>	
Backrest cushion heated (48 V)	<a href="#">141TA4990</a>		<a href="#">141TA4992</a>		
Cable set heating (12 V)					<a href="#">141TA4978</a>
Cable set heating (24 V)					<a href="#">141TA4986</a>
Cable set heating (48 V)					<a href="#">141TA4995</a>
Cable adapter heating					<a href="#">141TA4997</a>
Slide rails: 315 mm					<a href="#">144TA3689</a>
Switch					<a href="#">141TA4996</a>
Armrest LH (A60 x 230 mm), adjustable angle					<a href="#">141TA4962</a>
Armrest RH (A60 x 320 mm)					<a href="#">141TA4961</a>
ELR LH seat belt (black) with hardware					<a href="#">165TA9604</a>



Old fabric



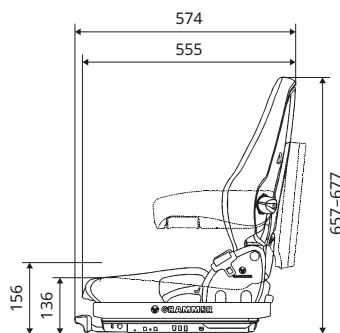
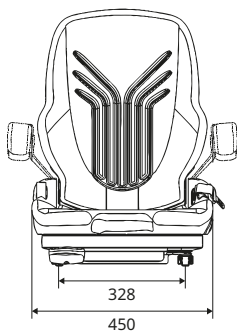
New fabric



Black fabric

All dimensions in mm. For more info on the differences between the old and new fabrics see the Nice to know chapter.

## PRIMO XXM (MSG65/522)



- Universal forklift seat
- Mechanical suspension
- Weight adjustment: 45–170 kg

### COMPLETE SEATS

	REF PVC	REF Old fabric	REF New fabric
Seat		<a href="#">139TA6035</a>	
Seat + switch + seat belt	<a href="#">139TA6030</a>		<a href="#">145TA2615</a>



PVC

### SPARE AND OPTIONAL PARTS

	REF PVC	REF Old fabric	REF New fabric	REF General
Seat cushion	<a href="#">165TA9477</a>	<a href="#">141TA5252</a>	<a href="#">145TA2616</a>	
Backrest cushion	<a href="#">141TA5253</a>	<a href="#">141TA5251</a>	<a href="#">145TA2617</a>	
Headrest	<a href="#">141TA4987</a>	<a href="#">141TA4965</a>	<a href="#">144TA3690</a>	
Seat cushion heated (12/24 V)	<a href="#">125TA6332</a>	<a href="#">141TA4974</a>	<a href="#">145TA2618</a>	
Seat cushion heated (48 V)	<a href="#">147TA3457</a>	<a href="#">147TA3459</a>	<a href="#">147TA3459</a>	
Backrest cushion heated (12 V)	<a href="#">141TA4977</a>			
Backrest cushion heated (12/24 V)	<a href="#">147TA3458</a>	<a href="#">141TA4975</a>	<a href="#">145TA2619</a>	
Backrest cushion heated (48 V)		<a href="#">147TA3460</a>		
Cable set heating (12 V)				<a href="#">141TA4978</a>
Cable set heating (24 V)				<a href="#">141TA4986</a>
Cable set heating (48 V)				<a href="#">141TA4995</a>
Cable adapter heating				<a href="#">141TA4997</a>
Slide rails: 315 mm				<a href="#">144TA3689</a>
Switch				<a href="#">141TA4996</a>
Armrest LH (A60 x 230 mm), adjustable angle				<a href="#">141TA4962</a>
Armrest RH (A60 x 320 mm), adjustable angle				<a href="#">141TA4961</a>
Document holder				<a href="#">141TA4913</a>
Duo sensitive ELR RH seat belt (black)				<a href="#">141TA4999</a>
ELR LH seat belt (black) with hardware				<a href="#">165TA9604</a>
ELR LH seat belt (black) with switch				<a href="#">142TA1538</a>



Old fabric



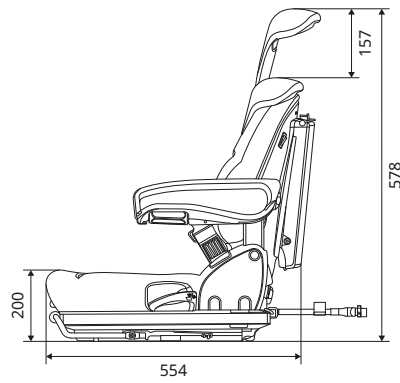
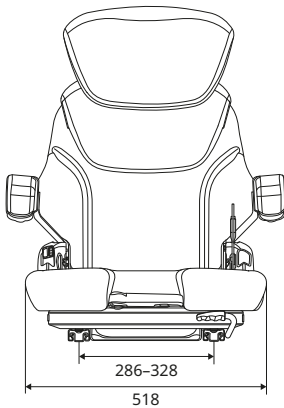
New fabric



Black fabric

All dimensions in mm. For more info on the differences between the old and new fabrics see the Nice to know chapter.

## MSG65/531



- Universal forklift seat
- Mechanical suspension
- Weight adjustment: 45–170 kg

### COMPLETE SEATS

	REF PVC
Seat + seat belt	<a href="#">145TA2620</a>



PVC

### SPARE AND OPTIONAL PARTS

	REF PVC	REF Old fabric	REF General
Seat cushion	<a href="#">145TA2621</a>		
Backrest cushion	<a href="#">145TA2622</a>		
Headrest	<a href="#">141TA4987</a>	<a href="#">141TA4965</a>	
Head rest kit	<a href="#">147TA5210</a>		
Slide rails: 315 mm			<a href="#">144TA3689</a>
Switch			<a href="#">147TA5211</a>
Armrest LH			<a href="#">141TA4973</a>
Armrest RH (A60 x mm)			<a href="#">141TA4961</a>
Document holder			<a href="#">141TA4913</a>
Duo sensitive ELR LH seat belt (black)			<a href="#">141TA4999</a>
ELR LH seat belt (black)			<a href="#">142TA1538</a>



Old fabric

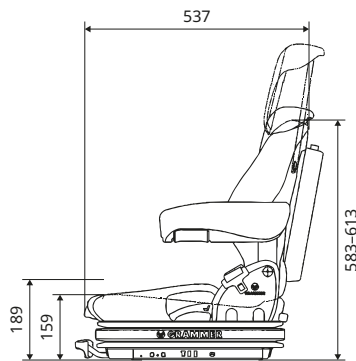
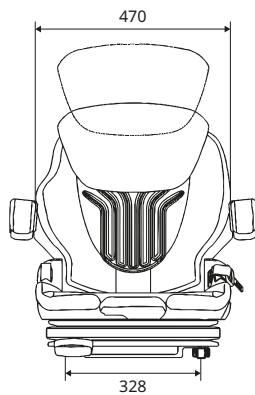


New fabric



Black fabric

## PRIMO L (MSG75/521)



- Universal forklift seat
- Air suspension
- Weight adjustment: 45–170 kg

### COMPLETE SEATS

	REF PVC	REF Old fabric	REF New fabric
Seat (12 V) + switch + seat belt	<a href="#">125TA5082</a>		
Seat (24 V) + switch + seat belt	<a href="#">139TA6031</a>		<a href="#">145TA2689</a>
Seat (12 V) + seat belt			<a href="#">145TA2623</a>
Seat (48 V)		<a href="#">165TA9553</a>	



PVC



Old fabric



New fabric



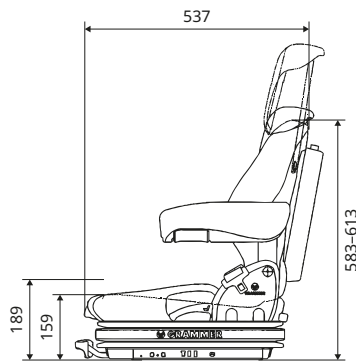
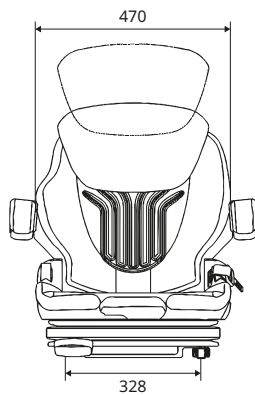
Black fabric

### SPARE AND OPTIONAL PARTS

	REF PVC	REF Old fabric	REF New fabric	REF Black fabric	REF General
Seat cushion	<a href="#">125TA6332</a>	<a href="#">125TA6335</a>	<a href="#">144TA3687</a>	<a href="#">165TA9541</a>	
Backrest cushion	<a href="#">125TA6333</a>	<a href="#">141TA4965</a>	<a href="#">144TA3688</a>	<a href="#">145TA2614</a>	
Headrest	<a href="#">128TA4164</a>	<a href="#">141TA4965</a>	<a href="#">144TA3690</a>		
Seat cushion heated (12/24 V)	<a href="#">141TA4984</a>	<a href="#">141TA4982</a>	<a href="#">145TA2608</a>	<a href="#">165TA9542</a>	
Seat cushion heated (48 V)	<a href="#">141TA4989</a>	<a href="#">141TA4991</a>			
Backrest cushion heated (12/24 V)	<a href="#">141TA4985</a>	<a href="#">141TA4983</a>	<a href="#">145TA2612</a>	<a href="#">165TA9540</a>	
Backrest cushion heated (48 V)	<a href="#">141TA4990</a>	<a href="#">141TA4992</a>			
Cable set heating (12 V)					<a href="#">141TA4978</a>
Cable set heating (24 V)					<a href="#">141TA4994</a>
Cable set heating (48 V)					<a href="#">141TA4995</a>
Cable adapter heating					<a href="#">141TA4997</a>
Slide rails: 315 mm					<a href="#">144TA3689</a>
Slide rails: 325 mm					<a href="#">165TA9543</a>
Switch					<a href="#">125TA6339</a>
Armrest LH (A60 x 230 mm), adjustable angle					<a href="#">141TA4962</a>
Armrest RH (A60 x 320 mm)					<a href="#">141TA4961</a>
Document holder					<a href="#">141TA4913</a>
ALR seat belt					<a href="#">165TA9603</a>
ELR LH seat belt (black)					<a href="#">142TA1538</a>
ELR LH seat belt (black) with switch					<a href="#">144TA6914</a>
Duo sensitive ELR LH seat belt (black)					<a href="#">141TA4998</a>
Duo sensitive ELR LH seat belt (black) with switch					<a href="#">141TA4999</a>
Compressor kit (12 V)					<a href="#">165TA9610</a>
Compressor (24 V)					<a href="#">165TA9615</a>
Compressor (48 V)					<a href="#">142TA1537</a>

All dimensions in mm. For more info on the differences between the old and new fabrics see the Nice to know chapter.

## PRIMO XL (MSG75/521)



- Universal forklift seat with headrest
- Air suspension
- Weight adjustment: 45–170 kg

### COMPLETE SEATS

	REF PVC	REF New fabric
Seat (12 V) + switch + seat belt	<a href="#">142TA1535</a>	<a href="#">165TA9555</a>
Seat (24 V) + switch + seat belt	<a href="#">139TA6033</a>	<a href="#">145TA2625</a>



PVC

### SPARE AND OPTIONAL PARTS

	REF PVC	REF New fabric	REF Black fabric	REF General
Seat cushion		<a href="#">144TA3687</a>	<a href="#">165TA9541</a>	
Backrest cushion		<a href="#">144TA3688</a>	<a href="#">145TA2614</a>	
Headrest	<a href="#">128TA4164</a>	<a href="#">144TA3690</a>		
Seat cushion heated (12/24 V)	<a href="#">141TA4984</a>	<a href="#">145TA2608</a>	<a href="#">165TA9542</a>	
Seat cushion heated (48 V)	<a href="#">141TA4989</a>			
Backrest cushion heated (12/24 V)	<a href="#">141TA4985</a>	<a href="#">145TA2612</a>	<a href="#">165TA9540</a>	
Backrest cushion heated (48 V)	<a href="#">141TA4990</a>			
Cable set heating (12 V)				<a href="#">141TA4978</a>
Cable set heating (24 V)				<a href="#">141TA4986</a>
Cable set heating (48 V)				<a href="#">141TA4995</a>
Cable adapter heating				<a href="#">141TA4997</a>
Slide rails: 315 mm				<a href="#">144TA3689</a>
Switch				<a href="#">141TA4996</a>
Armrest LH (A60 x 230 mm), adjustable angle				<a href="#">141TA4962</a>
Armrest RH (A60 x 320 mm)				<a href="#">141TA4961</a>
Document holder				<a href="#">141TA4913</a>
Duo sensitive ELR LH seat belt (black)				<a href="#">141TA4998</a>
ELR LH seat belt (black)				<a href="#">144TA6914</a>
Compressor kit (12 V)				<a href="#">165TA9610</a>
Compressor kit (24 V)				<a href="#">165TA9615</a>



Old fabric



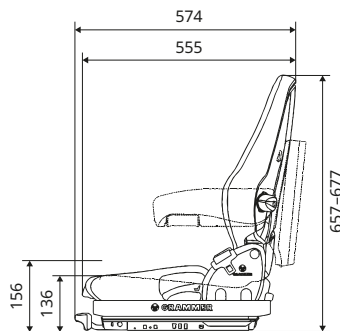
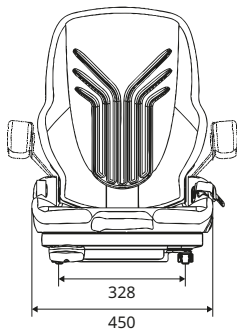
New fabric



Black fabric

All dimensions in mm. For more info on the differences between the old and new fabrics see the Nice to know chapter.

## PRIMO XXL (MSG75/522)



- Universal forklift seat
- Air suspension
- Weight adjustment: 45–170 kg

### COMPLETE SEATS

	REF PVC	REF Old fabric	REF New fabric
Seat (12 V) + switch + seat belt	<a href="#">142TA1534</a>	On request	<a href="#">145TA2626</a>
Seat (24 V) + switch + seat belt	<a href="#">151TA2988</a>	On request	<a href="#">151TA2987</a>



PVC

### SPARE AND OPTIONAL PARTS

	REF PVC	REF Old fabric	REF New fabric	REF General
Seat cushion	<a href="#">125TA6332</a>	<a href="#">125TA6335</a>	<a href="#">144TA3687</a>	
Backrest cushion	<a href="#">141TA5253</a>	<a href="#">141TA5251</a>	<a href="#">145TA2617</a>	
Headrest	<a href="#">141TA4987</a>	<a href="#">165TA9625</a>	<a href="#">147TA5195</a>	
Seat cushion heated (12/24 V)	<a href="#">125TA6332</a>	<a href="#">141TA4974</a>	<a href="#">145TA2618</a>	
Seat cushion heated (48 V)	<a href="#">147TA3457</a>	<a href="#">147TA3459</a>	<a href="#">147TA3459</a>	
Backrest cushion heated (48 V)	<a href="#">147TA3458</a>	<a href="#">147TA3460</a>	<a href="#">147TA3460</a>	
Backrest cushion heated (12/24 V)	<a href="#">141TA4977</a>	<a href="#">141TA4975</a>	<a href="#">145TA2619</a>	
Cable seat heating (12 V)				<a href="#">141TA4978</a>
Cable set heating (24 V)				<a href="#">141TA4986</a>
Cable set heating (48 V)				<a href="#">141TA4995</a>
Cable adapter heating				<a href="#">141TA4997</a>
Slide rails: 315 mm				<a href="#">144TA3689</a>
Switch				<a href="#">141TA4996</a>
Armrest LH (A60 x 230 mm), adjustable angle				<a href="#">141TA4962</a>
Armrest RH (A60 x 320 mm)				<a href="#">141TA4961</a>
Document holder				<a href="#">141TA4913</a>
Duo sensitive ELR LH seat belt (black)				<a href="#">141TA4998</a>
ELR LH seat belt (black)				<a href="#">144TA6914</a>
Compressor kit (12 V)				<a href="#">165TA9610</a>



Old fabric



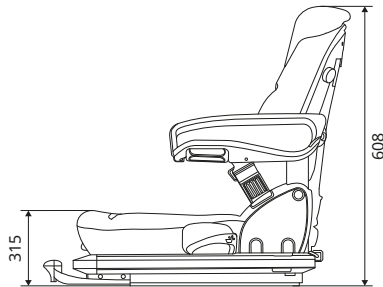
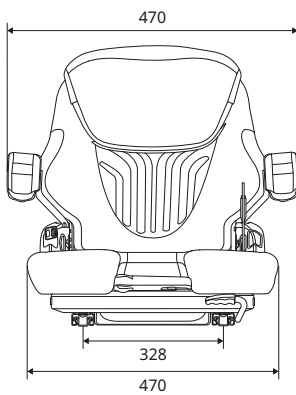
New fabric



Black fabric

All dimensions in mm. For more info on the differences between the old and new fabrics see the Nice to know chapter.

## PRIMO EL PLUS (MSG75L/731)



- Universal forklift seat with vibration directive 2002/44/BC
- Air suspension (12 V)
- Weight adjustment: 45-170 kg

### COMPLETE SEATS

	REF PVC
Seat (12 V) + switch + seat belt	<a href="#">145TA2690</a>

### SPARE AND OPTIONAL PARTS

	REF PVC	REF Old fabric	REF New fabric	REF Black fabric	REF General
Seat cushion	<a href="#">140TA1739</a>	<a href="#">141TA5244</a>	<a href="#">145TA2705</a>		
Backrest cushion	<a href="#">141TA5247</a>		<a href="#">145TA2706</a>		
Headrest	<a href="#">128TA4164</a>	<a href="#">141TA4923</a>	<a href="#">145TA2633</a>	<a href="#">141TA5065</a>	
Seat cushion heated	<a href="#">165TA9551*</a>		<a href="#">145TA2691*</a>	<a href="#">128TA4252*</a>	
Backrest cushion heated (12 V)	<a href="#">165TA9522</a>		<a href="#">145TA2692</a>	<a href="#">128TA4253</a>	
Seat cushion kit heated (12 V)				<a href="#">147TA3464</a>	
Cable adapter heating					<a href="#">141TA4997</a>
Slide rails					<a href="#">152TA2045</a>
Switch					<a href="#">145TA2693</a>
Armrest LH (A60 x 380 mm)					<a href="#">141TA4968</a>
Armrest LH (65 x 270 mm)					<a href="#">141TA4918</a>
Armrest LH (80 x 380 mm)					<a href="#">141TA4916</a>
Armrest RH (65 x 270 mm)					<a href="#">141TA4917</a>
Armrest RH (80 x 380 mm)					<a href="#">141TA4915</a>
Document holder					<a href="#">141TA4913</a>
ELR LH seat belt (black)					<a href="#">125TA6316</a>
Duo sensitive ELR seat belt LH (black)					<a href="#">141TA5017</a>
Dual ELR LH seat belt (black)					<a href="#">141TA4958</a>
Compressor kit (12 V)					<a href="#">165TA9610</a>
Compressor kit (24 V)					<a href="#">151TA2991</a>



PVC



Old fabric



New fabric

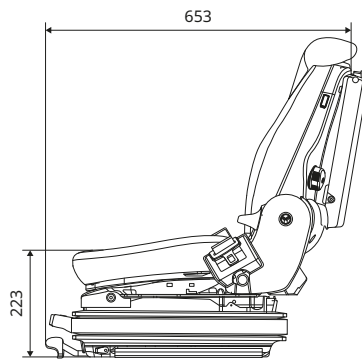
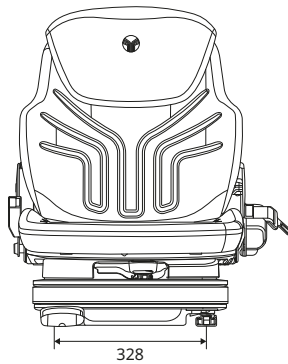


Black fabric

\*Only as replacement part

All dimensions in mm. For more info on the differences between the old and new fabrics see the Nice to know chapter.

## PRIMO XL PLUS (MSG 75G/721)



- Universal forklift seat with very low profile suspension
- Pneumatic suspension
- Weight adjustment: 45–170 kg

### COMPLETE SEATS

	REF
Seat (12 V) + switch + seat belt	<a href="#">141TA4966</a>

### SPARE AND OPTIONAL PARTS

	REF PVC	REF New fabric	REF Black fabric	REF General
Seat cushion	<a href="#">110TA8720</a>	<a href="#">141TA5246</a>	<a href="#">110TA8721</a>	
Backrest cushion	<a href="#">165TA9522</a>	<a href="#">141TA5245</a>	<a href="#">110TA8723</a>	
Headrest	<a href="#">128TA4164</a>	<a href="#">165TA9616</a>	<a href="#">141TA5065</a>	
Seat cushion heated (12/24 V)	<a href="#">145TA2701</a>	<a href="#">141TA4969*</a>		
Backrest cushion heated (12 V)	<a href="#">141TA5247</a>	<a href="#">141TA4970*</a>		
Seat cushion kit heated (12 V)	<a href="#">141TA4930</a>	<a href="#">145TA2634</a>		
Slide rails				<a href="#">152TA2045</a>
Switch				<a href="#">145TA2693</a>
Armrest LH				<a href="#">151TA2986</a>
Armrest LH (65 x 270 mm)				<a href="#">141TA4918</a>
Armrest LH (A60 x 380 mm)				<a href="#">141TA4968</a>
Armrest RH (60 x 320 mm)				<a href="#">151TA2985</a>
Armrest RH (65 x 270 mm)				<a href="#">141TA4917</a>
Armrest RH (A60 x 380 mm)				<a href="#">141TA4967</a>
Document holder				<a href="#">141TA4913</a>
ALR seat belt (black)				<a href="#">144TA8793</a>
Dual ELR LH seat belt (black)				<a href="#">141TA4958</a>
Duo sensitive ELR seat belt LH (black)				<a href="#">141TA5017</a>
Compressor kit (12 V)				<a href="#">165TA9610</a>



PVC



Old fabric



New fabric

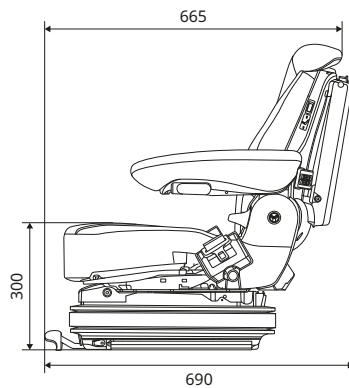
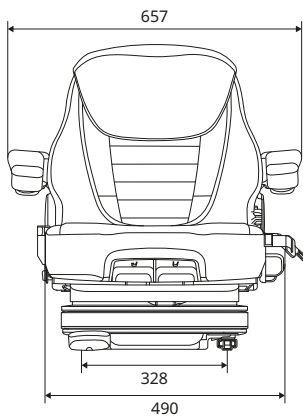


Black fabric

\*Only as replacement part

All dimensions in mm. For more info on the differences between the old and new fabrics see the Nice to know chapter.

## PRIMO EVOLUTION



- Universal forklift seat with active climate & heating vibration directive 2002/44/BC
- Air suspension (12 V)
- Weight adjustment: 45-170 kg

### COMPLETE SEATS

	REF New fabric
Seat (12 V) + switch + seat belt	<a href="#">145TA2694</a>



PVC

### SPARE AND OPTIONAL PARTS

	REF New fabric	REF General
Seat cushion	<a href="#">145TA2695</a>	
Backrest cushion	<a href="#">145TA2696</a>	
Headrest	<a href="#">145TA2697</a>	
Cable adapter heating		<a href="#">141TA4997</a>
Slide rails		<a href="#">152TA2045</a>
Switch		<a href="#">145TA2693</a>
Armrest LH (A80 x 380 mm)		<a href="#">145TA2698</a>
Armrest RH (A80 x 380 mm)		<a href="#">145TA2699</a>
Document holder		<a href="#">141TA4913</a>
Duo sensitive ELR seat belt LH (black)		<a href="#">141TA5017</a>
Dual ELR LH seat belt (black)		<a href="#">141TA4958</a>
ELR LH seat belt (black)		<a href="#">125TA6316</a>
Compressor kit (12 V)		<a href="#">165TA9610</a>



Old fabric



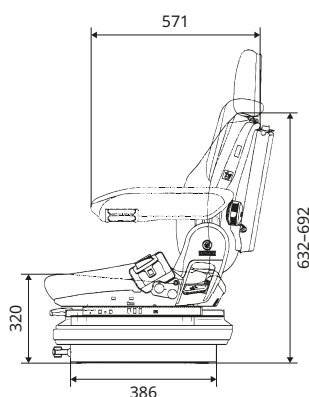
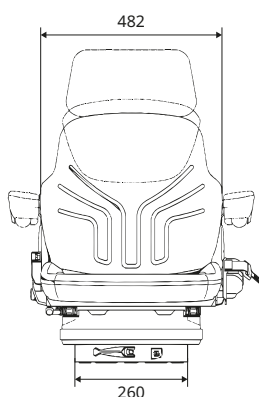
New fabric



Black fabric

All dimensions in mm. For more info on the differences between the old and new fabrics see the Nice to know chapter.

## MAXIMO M (MSG85/721)



- Universal forklift seat
- Mechanical suspension
- Weight adjustment: 45–170 kg

### COMPLETE SEATS

	REF PVC	REF New fabric	REF Black fabric
Seat	<a href="#">141TA4928</a>	<a href="#">145TA2630</a>	<a href="#">165TA9518</a>
Seat + seat belt	<a href="#">110TA8716</a>		



PVC

### SPARE AND OPTIONAL PARTS

	REF PVC	REF Old fabric	REF New fabric	REF Black fabric	REF General
Seat cushion	<a href="#">110TA8720</a>	<a href="#">141TA5246</a>	<a href="#">145TA2631</a>	<a href="#">110TA8721</a>	
Backrest cushion	<a href="#">141TA5247</a>		<a href="#">145TA2632</a>	<a href="#">165TA9519</a>	
Headrest	<a href="#">128TA4164</a>	<a href="#">141TA4923</a>	<a href="#">145TA2633</a>	<a href="#">141TA5065</a>	
Seat cushion heated (12/24 V)	<a href="#">145TA2701</a>	<a href="#">141TA4970</a>			
Backrest cushion heated (12/24 V)	<a href="#">165TA9522</a>	<a href="#">141TA4969</a>			
Seat cushion kit heated (12 V)	<a href="#">141TA4930</a>	<a href="#">141TA4929</a>	<a href="#">145TA2634</a>		
Seat cushion kit heated (12 V)			<a href="#">165TA9587</a>		
Slide rails: 280 mm					<a href="#">166TA1317</a>
Slide rails: 325 mm					<a href="#">165TA9449</a>
Slide rails: 315 mm					<a href="#">145TA2636</a>
Switch with plate					<a href="#">165TA9523</a>
Switch without plate					<a href="#">165TA9520</a>
Armrest LH (65 x 270 mm)					<a href="#">141TA4918</a>
Armrest LH (80 x 380 mm)					<a href="#">141TA4916</a>
Armrest RH (65 x 270 mm)					<a href="#">141TA4917</a>
Armrest RH (80 x 380 mm)					<a href="#">141TA4915</a>
Document holder					<a href="#">141TA4913</a>
Static seat belt					<a href="#">165TA9586</a>
ELR LH seat belt (black)					<a href="#">141TA5017</a>
Duo sensitive ELR LH seat belt (black)					<a href="#">141TA5017</a>



Old fabric



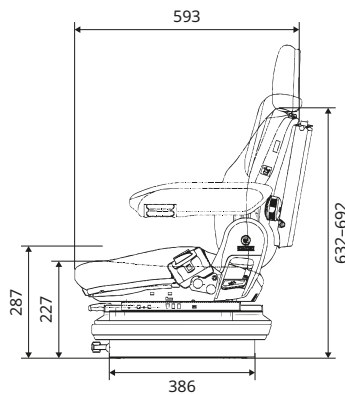
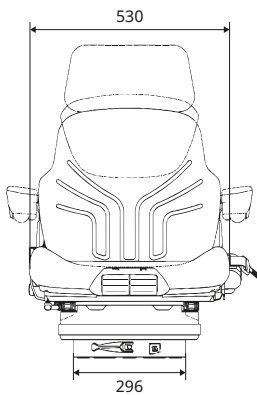
New fabric



Black fabric

All dimensions in mm. For more info on the differences between the old and new fabrics see the Nice to know chapter.

## MAXIMO XM (MSG85/731)



- Universal forklift seat
- Mechanical suspension
- Weight adjustment: 45–170 kg

### COMPLETE SEATS

	REF PVC	REF New fabric
Seat + switch + seat belt	<a href="#">139TA6026</a>	<a href="#">166TA6015</a>

### SPARE AND OPTIONAL PARTS

	REF PVC	REF Old fabric	REF New fabric	REF Black fabric	REF General
Seat cushion	<a href="#">140TA1739</a>	<a href="#">140TA1740</a>	<a href="#">145TA2705</a>		
Backrest cushion	<a href="#">110TA8722</a>		<a href="#">145TA2706</a>		
Headrest	<a href="#">128TA4164</a>	<a href="#">141TA4965</a>	<a href="#">145TA2633</a>	<a href="#">141TA5065</a>	
Seat cushion heated (12/24 V)	<a href="#">165TA9551</a>	<a href="#">145TA2637</a>		<a href="#">165TA9526</a>	
Backrest cushion heated (12/24 V)	<a href="#">152TA2048</a>	<a href="#">141TA4970</a>		<a href="#">165TA9525</a>	
Seat cushion kit heated (12 V)	<a href="#">141TA4927</a>	<a href="#">141TA4926</a>	<a href="#">147TA3463</a>	<a href="#">147TA3461</a>	
Slide rails: 315 mm					<a href="#">145TA2636</a>
Switch					<a href="#">165TA9520</a>
Armrest LH (65 x 270 mm)					<a href="#">141TA4918</a>
Armrest LH (80 x 380 mm)					<a href="#">141TA4916</a>
Armrest RH (65 x 270 mm)					<a href="#">141TA4917</a>
Armrest RH (80 x 380 mm)					<a href="#">141TA4915</a>
Document holder					<a href="#">141TA4913</a>
ELR LH seat belt (black)					<a href="#">125TA6316</a>



PVC



Old fabric



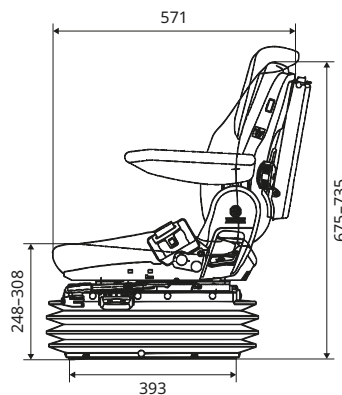
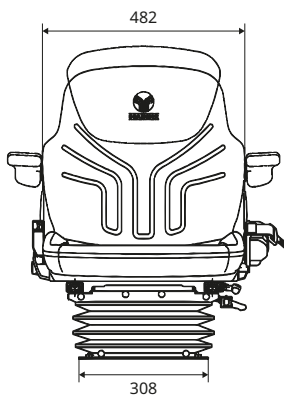
New fabric



Black fabric

All dimensions in mm. For more info on the differences between the old and new fabrics see the Nice to know chapter.

## MAXIMO L (MSG95/721)



- Universal forklift seat
- Air suspension (12 V)
- Weight adjustment: 45–130 kg

### COMPLETE SEATS

	REF PVC	REF New fabric
Seat + switch + seat belt	<a href="#">139TA6027</a>	<a href="#">145TA2638</a>

### SPARE AND OPTIONAL PARTS

	REF PVC	REF Old fabric	REF New fabric	REF Black fabric	REF General
Seat cushion	<a href="#">110TA8720</a>	<a href="#">141TA5246</a>	<a href="#">145TA2631</a>	<a href="#">110TA8721</a>	
Backrest cushion	<a href="#">110TA8722</a>		<a href="#">141TA5245</a>		
Headrest	<a href="#">128TA4164</a>	<a href="#">141TA4923</a>	<a href="#">145TA2633</a>	<a href="#">141TA4923</a>	
Seat cushion heated (12/24 V)		<a href="#">141TA4969</a>			
Backrest cushion heated (12 V)	<a href="#">141TA4970</a>				
Seat cushion kit heated (12 V)	<a href="#">141TA4930</a>				
Slide rails: 325 mm					<a href="#">165TA7505</a>
Switch					<a href="#">145TA2635</a>
Switch kit met base plate					<a href="#">145TA2703</a>
Armrest LH (65 x 270)					<a href="#">141TA4918</a>
Armrest LH (80 x 380 mm)					<a href="#">141TA4916</a>
Armrest RH (65 x 270 mm)					<a href="#">141TA4917</a>
Armrest RH (80 x 380 mm)					<a href="#">141TA4915</a>
Document holder					<a href="#">141TA4913</a>
ELR LH seat belt (black)					<a href="#">125TA6316</a>
Compressor kit (12 V)					<a href="#">165TA9453</a>
Duo sensitive ELR LH seat belt (black)					<a href="#">141TA5017</a>



PVC



Old fabric



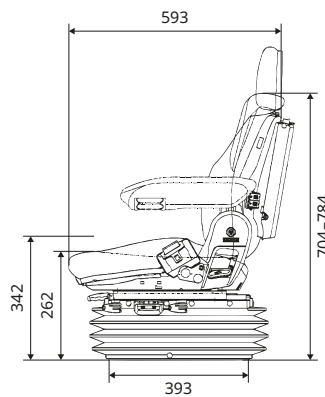
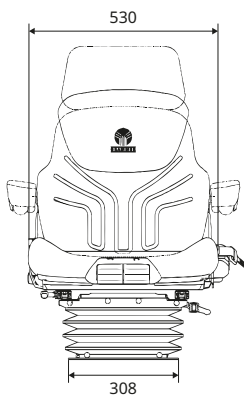
New fabric



Black fabric

All dimensions in mm. For more info on the differences between the old and new fabrics see the Nice to know chapter.

## MAXIMO XXL (MSG95AL/731, MSG95A/731)



- Universal forklift seat
- Airl suspension
- Weight adjustment: 45–130 kg

### COMPLETE SEATS

	REF PVC	REF Old fabric	REF New fabric
Seat (12 V) + switch + seat belt	<a href="#">151TA2989*</a>	On request	<a href="#">145TA2704</a>
Seat (24 V) + switch + seat belt	<a href="#">152TA2051</a>	<a href="#">141TA4912</a>	<a href="#">152TA2052</a>



PVC

### SPARE AND OPTIONAL PARTS

	REF PVC	REF Old fabric	REF New fabric	REF Black fabric	REF General
Seat cushion	<a href="#">140TA1739</a>	<a href="#">141TA5244</a>	<a href="#">145TA2705</a>		
Backrest cushion	<a href="#">141TA5247</a>		<a href="#">145TA2706</a>		
Headrest (integral height adjustable)	<a href="#">128TA4164</a>				
Headrest	<a href="#">141TA5106</a>	<a href="#">141TA4923</a>	<a href="#">145TA2633</a>	<a href="#">141TA5065</a>	
Seat cushion kit heated (12 V)	<a href="#">141TA4920</a>		<a href="#">147TA3463</a>		
Cable set heating (12 V)					<a href="#">166TA7978</a>
Slide rails: 325 mm					<a href="#">165TA7505</a>
Switch					<a href="#">151TA2990</a>
Armrest LH (80 x 380 mm)					<a href="#">141TA4916</a>
Armrest LH (65 x 270 mm)					<a href="#">141TA4918</a>
Armrest RH (80 x 380 mm)					<a href="#">141TA4915</a>
Armrest RH (65 x 270 mm)					<a href="#">141TA4917</a>
Document holder					<a href="#">141TA4913</a>
Compressor kit (12 V)					<a href="#">165TA9453</a>
Compressor kit (24 V)					<a href="#">151TA2991</a>
Duo sensitive ELR LH seat belt (black)					<a href="#">141TA5017</a>



Old fabric



New fabric

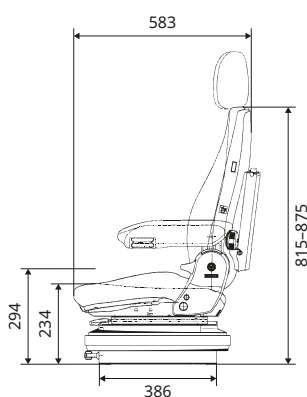
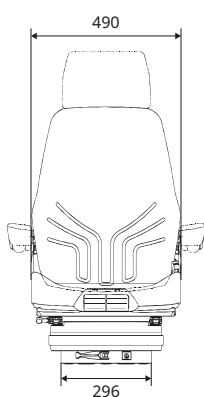


Black fabric

\*Only as replacement part

All dimensions in mm. For more info on the differences between the old and new fabrics see the Nice to know chapter.

## ACTIMO M (MSG 85/722)



- Universal construction seat
- Mechanical suspension
- Weight adjustment: 50–130 kg

### COMPLETE SEATS

	REF PVC	REF Old fabric	REF New fabric
Seat	<a href="#">141TA5030</a>	<a href="#">141TA5029</a>	<a href="#">145TA2711</a>

### SPARE AND OPTIONAL PARTS

	REF PVC	REF Old fabric	REF New fabric	REF Black fabric	REF General
Seat cushion width: 490 mm	<a href="#">145TA2713</a>	<a href="#">147TA3465</a>	<a href="#">145TA2714</a>		
Seat cushion width: 550 mm		<a href="#">147TA3466</a>	<a href="#">145TA2715</a>		
Backrest cushion	<a href="#">147TA3468</a>	<a href="#">166TA8793</a>	<a href="#">145TA2716</a>		
Headrest	<a href="#">141TA5014</a>	<a href="#">141TA5012</a>	<a href="#">145TA2717</a>		
Seat cushion heated (24 V)		<a href="#">165TA9432</a>			
Seat cushion kit heated (12 V) width: 490 mm		<a href="#">165TA9434</a>	<a href="#">145TA2718</a>		
Seat cushion kit heated (12 V) width: 550 mm			<a href="#">145TA2719</a>	<a href="#">141TA5034</a>	
Switch with contact plate					<a href="#">141TA5031</a>
Slide rails: 325 mm					<a href="#">165TA7505</a>
Armrest LH					<a href="#">165TA9440</a>
Armrest LH (65 x 270 mm)					<a href="#">141TA4918</a>
Armrest LH (80 x 380 mm)					<a href="#">141TA4916</a>
Armrest RH (65 x 270 mm)					<a href="#">141TA4917</a>
Armrest RH (80 x 380 mm)					<a href="#">141TA4915</a>
Document holder					<a href="#">141TA4913</a>
ALR seat belt (black)					<a href="#">165TA2906</a>
Duo sensitive ELR LH seat belt (black)					<a href="#">141TA5017</a>
ELR LH seat belt (black)					<a href="#">125TA6316</a>



PVC



Old fabric



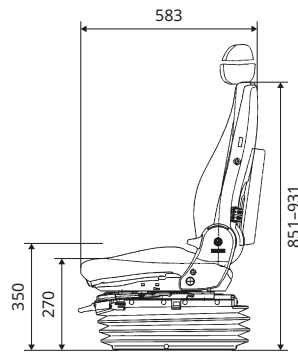
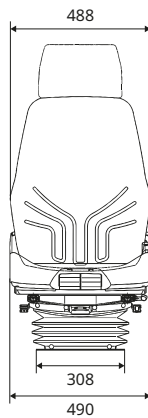
New fabric



Black fabric

All dimensions in mm. For more info on the differences between the old and new fabrics see the Nice to know chapter.

## ACTIMO XL (MSG 95A/722)



- Universal construction seat
- Air suspension
- Weight adjustment: 50-130 kg

### COMPLETE SEATS

	REF New fabric
Seat (12 V)	<a href="#">165TA9445</a>
Seat (24 V)	<a href="#">165TA9447</a>



PVC

### SPARE AND OPTIONAL PARTS

	REF PVC	REF Old fabric	REF New fabric	REF General
Seat cushion width: 490 mm	<a href="#">165TA9438</a>	On request	<a href="#">145TA2730</a>	
Seat cushion width: 550 mm		On request	<a href="#">141TA5015</a>	
Backrest cushion	<a href="#">147TA3468</a>	<a href="#">145TA2726</a>	<a href="#">145TA2724</a>	
Headrest	<a href="#">141TA5014</a>	On request	<a href="#">145TA2717</a>	
Seat cushion heated (12 V) width: 490 mm			<a href="#">165TA7503</a>	
Seat cushion heated (24 V) width: 490 mm			<a href="#">166TA8165</a>	
Backrest cushion heated (12 V)			<a href="#">165TA7504</a>	
Backrest cushion heated (24 V)		Not available		
Seat cushion kit heated (12 V) width: 490 mm			<a href="#">141TA5024</a>	
Seat cushion kit heated (24 V)		<a href="#">165TA9457</a>		
Seat cushion kit heated (24 V) width: 490 mm	<a href="#">141TA5025</a>	<a href="#">141TA5026</a>	<a href="#">145TA2725</a>	
Cable set heating (12 V)				<a href="#">165TA9452</a>
Slide rails: 325 mm				<a href="#">165TA9449</a>
Switch				<a href="#">141TA5018</a>
Armrest LH (65 x 270 mm)				<a href="#">141TA4918</a>
Armrest LH (80 x 380 mm)				<a href="#">141TA4916</a>
Armrest RH (65 x 270 mm)				<a href="#">141TA4917</a>
Armrest RH (80 x 380 mm)				<a href="#">141TA4915</a>
Document holder				<a href="#">141TA4913</a>
ALR seat belt (black)				<a href="#">165TA2906</a>
Duo sensitive ELR LH seat belt (black)				<a href="#">141TA5017</a>
ELR LH seat belt (black)				<a href="#">125TA6316</a>
Compressor kit (12 V)				<a href="#">165TA9453</a>
Compressor kit (24 V)				<a href="#">165TA9454</a>



Old fabric



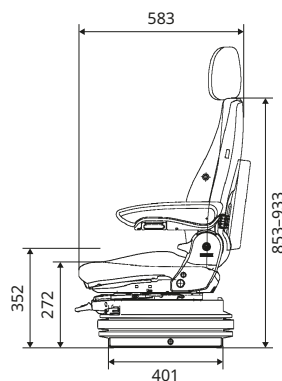
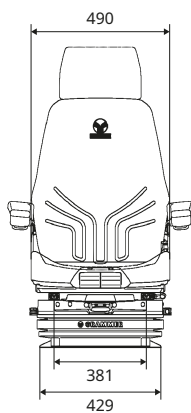
New fabric



Black fabric

All dimensions in mm. For more info on the differences between the old and new fabrics see the Nice to know chapter.

## ACTIMO XXL (MSG 97AL/722)



- Universal construction seat
- Air suspension
- Weight adjustment: 50–130 kg

### COMPLETE SEATS

	REF New fabric
Seat (24 V)	<a href="#">165TA9465</a>



PVC

### SPARE AND OPTIONAL PARTS

	REF PVC	REF Old fabric	REF New fabric	REF General
Seat cushion	<a href="#">145TA2713</a>	On request		
Backrest cushion	<a href="#">147TA3468</a>	On request	<a href="#">145TA2716</a>	
Headrest	<a href="#">141TA5014</a>	<a href="#">141TA5012</a>	<a href="#">145TA2717</a>	
Seat cushion heated (24 V) width: 550 mm			<a href="#">145TA2728</a>	
Seat cushion kit heated (24 V) width: 490 mm			<a href="#">147TA5067</a>	
Switch (complete kit)				<a href="#">141TA5018</a>
Switch (micro switch, cables and magnet)				<a href="#">145TA2732</a>
Slide rails: 325 mm	<a href="#">145TA2733</a>	<a href="#">145TA2733</a>	<a href="#">145TA2733</a>	
Armrest LH (65 x 270 mm)				<a href="#">141TA4918</a>
Armrest LH (80 x 380 mm)				<a href="#">141TA4916</a>
Armrest RH (65 x 270)				<a href="#">141TA4917</a>
Armrest RH (80 x 380 mm)				<a href="#">141TA4915</a>
Document holder				<a href="#">141TA4913</a>
ALR seat belt (black)				<a href="#">165TA2906</a>
Duo sensitive ELR LH seat belt (black)				<a href="#">141TA5017</a>
ELR RH seat belt (black)				<a href="#">145TA2803</a>
Compressor kit (12 V)				<a href="#">165TA9454</a>



Old fabric



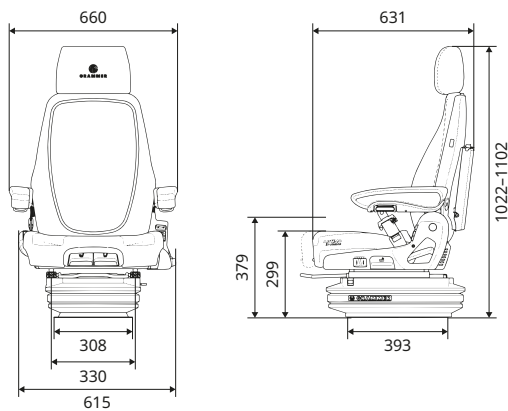
New fabric



Black fabric

All dimensions in mm. For more info on the differences between the old and new fabrics see the Nice to know chapter.

## ACTIMO EVOLUTION (MSG 95EL/742) 12 V VERSION FOR WHEELED LOADER



- Universal construction seat
- Air suspension (12 V)
- Weight adjustment: 50–130 kg

### COMPLETE SEATS

	REF New fabric	REF Black fabric
Seat + adapter cable (12 V)		<a href="#">165TA9424</a>
Klima seat + adapter cable (12 V) + head rest + switch + seat belt	<a href="#">165TA9417</a>	



PVC

### SPARE AND OPTIONAL PARTS

	REF New fabric	REF Black fabric	REF General
Seat cushion	<a href="#">152TA2054</a>	<a href="#">145TA2740</a>	
Backrest cushion	<a href="#">145TA2735</a>	<a href="#">145TA2741</a>	
Headrest	<a href="#">145TA2736</a>	<a href="#">145TA2742</a>	
Adapter cable (12 V)			<a href="#">165TA9423</a>
Slide rails			<a href="#">152TA2055</a>
Switch			<a href="#">145TA2738</a>
Armrest LH			<a href="#">141TA4957</a>
Armrest LH (A80 x 380 mm)			<a href="#">147TA3469</a>
Armrest RH			<a href="#">141TA4956</a>
Armrest RH (A80 x 380 mm)			<a href="#">147TA3470</a>
Document holder			<a href="#">141TA4913</a>
Control carrier box LH			<a href="#">141TA5006</a>
Control carrier box RH			<a href="#">141TA5009</a>
Retractable seat belt			<a href="#">145TA2737</a>
ALR seat belt (black)			<a href="#">145TA2745</a>
Compressor (12 V)			<a href="#">165TA2901</a>
Control carrier box LH			<a href="#">141TA5006</a>
Control carrier box RH			<a href="#">141TA5009</a>
Mounting parts for control carrier box			<a href="#">141TA5007</a>



Old fabric



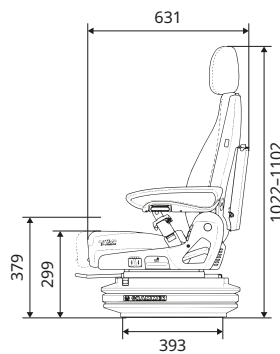
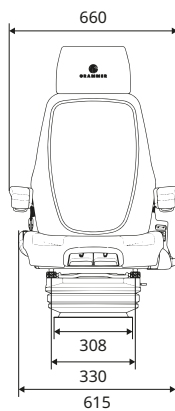
New fabric



Black fabric

All dimensions in mm. For more info on the differences between the old and new fabrics see the Nice to know chapter.

## ACTIMO EVOLUTION (MSG 95EL/742) 24 V VERSION FOR WHEELED LOADER



- Universal construction seat
- Air suspension (24 V)
- Weight adjustment: 50–130 kg

### COMPLETE SEATS

	REF
Seat + adapter cable (24 V)	<b>New fabric</b> <a href="#">145TA2743</a>



PVC

### SPARE AND OPTIONAL PARTS

	REF New fabric	REF General
Seat cushion	<a href="#">152TA2054</a>	
Backrest cushion	<a href="#">145TA2735</a>	
Headrest	<a href="#">145TA2736</a>	
Slide rails		<a href="#">152TA2055</a>
Switch		<a href="#">145TA2738</a>
Armrest LH		<a href="#">141TA4957</a>
Armrest LH (A80 x 380 mm)	<a href="#">147TA3469</a>	
Armrest RH		<a href="#">141TA4956</a>
Armrest RH (A80 x 380 mm)		<a href="#">147TA3470</a>
Document holder		<a href="#">141TA4913</a>
Control carrier box LH		<a href="#">141TA5006</a>
Control carrier box RH		<a href="#">141TA5009</a>
Mounting parts for control carrier box		<a href="#">141TA5007</a>
Retractable seat belt		<a href="#">145TA2737</a>
ALR seat belt (black)		<a href="#">145TA2745</a>



Old fabric



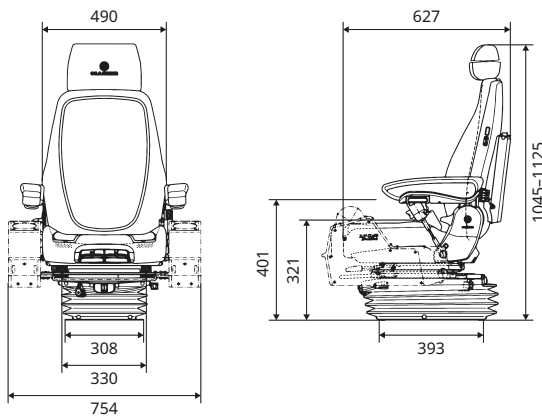
New fabric



Black fabric

All dimensions in mm. For more info on the differences between the old and new fabrics see the Nice to know chapter.

## ACTIMO EVOLUTION (MSG 95EL/722) 12 V VERSION FOR EXCAVATOR



- Universal construction seat
- Air suspension (12 V)
- Weight adjustment: 50–130 kg

### COMPLETE SEATS

	REF New fabric
Seat + headrest + adapter cable (12 V) + armrests + seat belt	<a href="#">165TA9418</a>
Klima seat + headrest + adapter cable (12 V) + switch + seat belt	<a href="#">145TA2744</a>



PVC

### SPARE AND OPTIONAL PARTS

	REF Old fabric	REF New fabric	REF General
Seat cushion	<a href="#">145TA2748</a>	<a href="#">145TA2747</a>	
Backrest cushion		<a href="#">145TA2735</a>	
Headrest		<a href="#">145TA2736</a>	
Adapter cable (12 V)			<a href="#">165TA9423</a>
Slide rails			<a href="#">152TA2055</a>
Switch			<a href="#">145TA2738</a>
Armrest LH (A80 x 380 mm)			<a href="#">147TA3649</a>
Armrest RH (A80 x 380 mm)			<a href="#">147TA3470</a>
Document holder			<a href="#">141TA4913</a>
Control carrier box LH			<a href="#">141TA5006</a>
Control carrier box RH			<a href="#">141TA5009</a>
Mounting parts for control carrier box			<a href="#">141TA5007</a>
ALR seat belt (black)			<a href="#">145TA2745</a>
Compressor (12 V)			<a href="#">165TA2901</a>



Old fabric



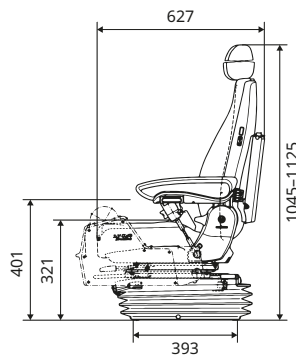
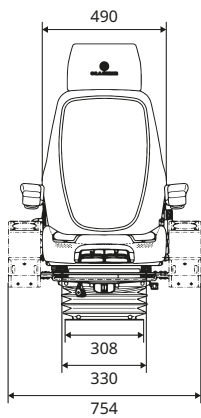
New fabric



Black fabric

All dimensions in mm. For more info on the differences between the old and new fabrics see the Nice to know chapter.

## ACTIMO EVOLUTION (MSG 95EL/722) 24 V VERSION FOR EXCAVATOR



- Universal construction seat
- Air suspension (24 V)
- Weight adjustment: 50–130 kg

### COMPLETE SEATS

	REF New fabric
Seat + adapter cable (24 V)	<a href="#">145TA2749</a>

### SPARE AND OPTIONAL PARTS

	REF Old fabric	REF New fabric	REF General
Seat cushion	<a href="#">145TA2748</a>	<a href="#">145TA2747</a>	
Backrest cushion		<a href="#">145TA2735</a>	
Headrest		<a href="#">145TA2736</a>	
Adapter cable (12 V)			<a href="#">165TA9423</a>
Slide rails			<a href="#">152TA2055</a>
Switch			<a href="#">145TA2738</a>
Armrest LH (A80 x 380 mm)			<a href="#">147TA3649</a>
Armrest RH (A80 x 380 mm)			<a href="#">147TA3470</a>
Document holder			<a href="#">141TA4913</a>
Control carrier box LH			<a href="#">141TA5006</a>
Control carrier box RH			<a href="#">141TA5009</a>
Mounting parts for control carrier box			<a href="#">141TA5007</a>
ALR seat belt (black)			<a href="#">145TA2745</a>



PVC



Old fabric



New fabric



Black fabric

All dimensions in mm. For more info on the differences between the old and new fabrics see the Nice to know chapter.







03.

# **KAB SEATING**

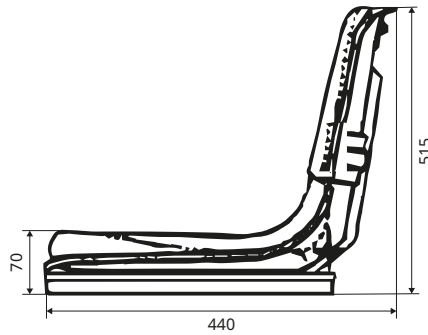
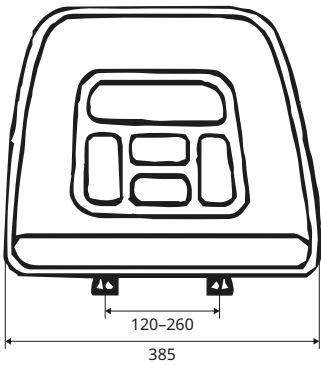
# SEATS

## KAB SEATING

**P1**



**KAB//Seating**



- Universal seat pan
- With drain hole

### COMPLETE SEATS

	REF
Seat	PVC <a href="#">126TA6096</a>

### SPARE AND OPTIONAL PARTS

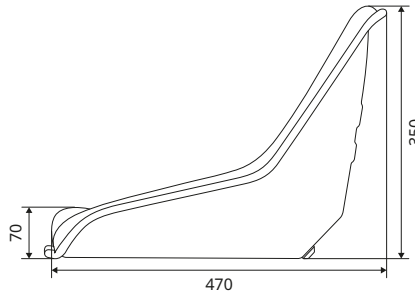
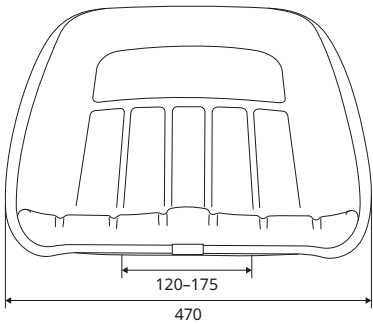
	REF	REF
Headrest	PVC <a href="#">165TA9630</a>	General
Slide rails		<a href="#">144TA5348</a>

All dimensions in mm.

**P2**



**KAB//Seating**



- Universal seat pan
- With drain hole

**COMPLETE SEATS**

	REF PVC
Seat	<a href="#">139TA6039</a>

**SPARE AND OPTIONAL PARTS**

	REF PVC	REF General
Headrest	<a href="#">165TA9630</a>	
Slide rails		<a href="#">144TA5348</a>

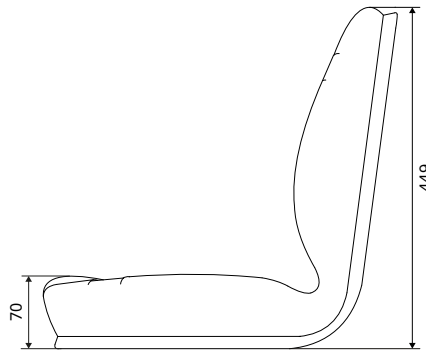
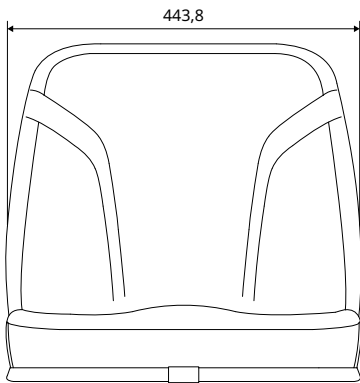
# SEATS

## KAB SEATING

**P4**



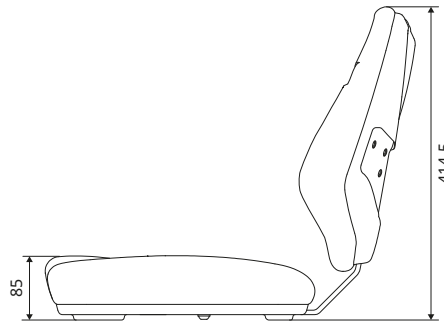
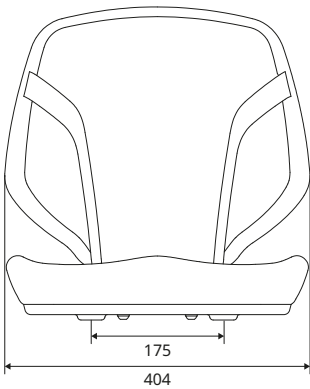
**KAB//Seating**



- Universal seat pan with drain hole

### COMPLETE SEATS

	REF PVC	REF Fabric
Seat	Not available	Not available

**P6****KAB//Seating**

- Universal seat pan
- With drain hole

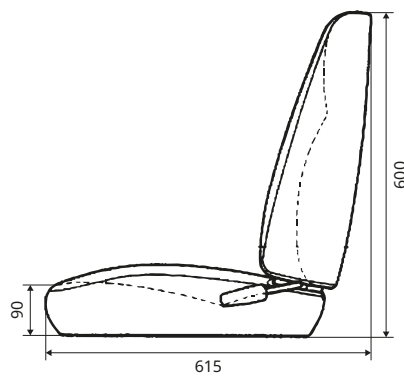
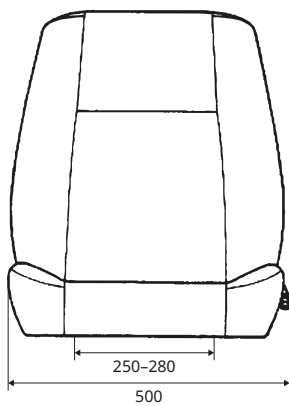
**COMPLETE SEATS**

	REF PVC	REF Fabric
Seat	<a href="#">139TA6041</a>	<a href="#">144TA5373</a>

**SPARE AND OPTIONAL PARTS**

	REF PVC	REF General
Headrest	<a href="#">144TA5350</a>	
Slide rails: 296 mm		<a href="#">144TA5353</a>
Armrest kit		<a href="#">144TA5352</a>
Static seat belt (black)		<a href="#">144TA5351</a>

**T1**



**KAB//Seating**

- Non-suspended seat top
- Used on JCB

### COMPLETE SEATS

	REF PVC	REF Fabric
Seat	<a href="#">110TA8930</a>	<a href="#">110TA8931</a>
Seat + switch	<a href="#">152TA1955</a>	

### SPARE AND OPTIONAL PARTS

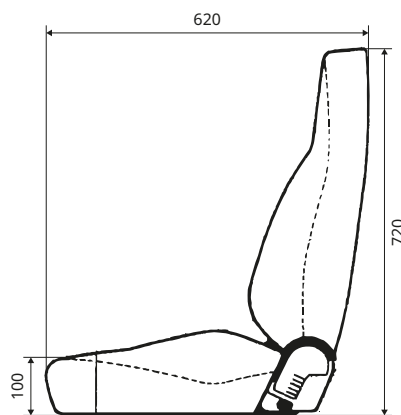
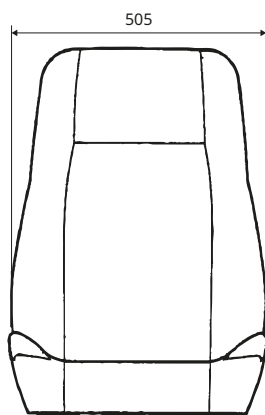
	REF PVC	REF Fabric	REF General
Seat cover kit	<a href="#">110TA8940</a>	<a href="#">110TA8941</a>	
Seat foam kit			<a href="#">110TA8942</a>
Headrest	<a href="#">110TA8960</a>		
Backrest cover kit	<a href="#">110TA8934</a>	<a href="#">110TA8944</a>	
Backrest foam kit			<a href="#">110TA8945</a>
Switch			<a href="#">110TA8932</a>
Armrest kit			<a href="#">141TA7803</a>
ALR seat belt (black)			<a href="#">141TA7802</a>

All dimensions in mm.

## T4



**KAB//Seating**



- Non-suspended seat top

### COMPLETE SEATS

	REF PVC	REF Fabric
Seat	<a href="#">110TA8934</a>	On request

### SPARE AND OPTIONAL PARTS

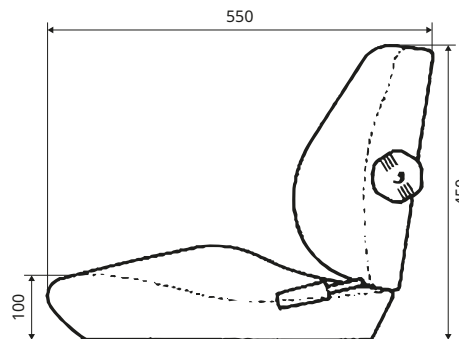
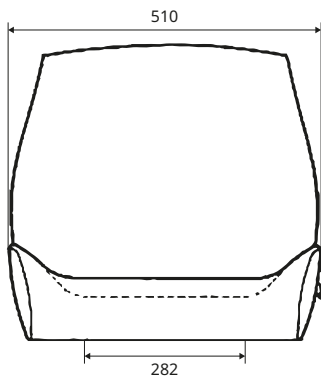
	REF PVC	REF Fabric	REF General
Seat cover kit	<a href="#">128TA4231</a>	<a href="#">129TA7743</a>	
Seat foam kit			<a href="#">128TA4232</a>
Headrest	<a href="#">110TA8970</a>	<a href="#">110TA8971</a>	
Backrest cover kit	<a href="#">128TA4233</a>	<a href="#">129TA7744</a>	
Backrest foam kit			<a href="#">128TA4234</a>
Switch			<a href="#">110TA8936</a>
Armrest kit			<a href="#">110TA8937</a>
ALR seat belt (black)			<a href="#">141TA7802</a>

All dimensions in mm.

### T6



**KAB//Seating**



- Non-suspended seat top
- Used on Linde/Still

#### COMPLETE SEATS

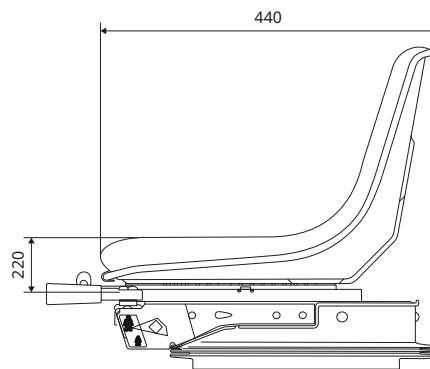
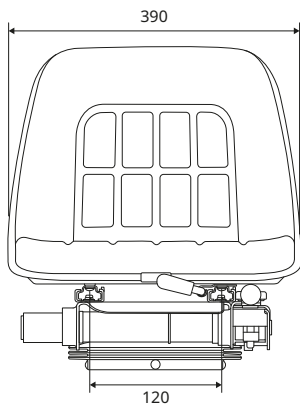
	REF PVC	REF Fabric
Seat	<a href="#">126TA6072</a>	<a href="#">128TA4241</a>
Seat + switch	<a href="#">144TA5368</a>	<a href="#">139TA6114</a>

#### SPARE AND OPTIONAL PARTS

	REF PVC	REF Fabric	REF General
Seat cover kit	<a href="#">126TA6073</a>	<a href="#">128TA4242</a>	
Seat foam kit			<a href="#">126TA6074</a>
Headrest	<a href="#">129TA7748</a>		
Backrest cover kit	<a href="#">144TA5367</a>	<a href="#">129TA7747</a>	
Backrest foam kit			<a href="#">129TA7746</a>
Switch			<a href="#">110TA8936</a>
Armrest kit			<a href="#">141TA7803</a>
ALR seat belt (black)			<a href="#">141TA7802</a>

All dimensions in mm.

## XH2/P1



**KAB//Seating**

- Mechanical suspended seat
- Weight adjustment: 50–120 kg
- Used on Linde

### COMPLETE SEATS

Seat with rail seat

Seat without suspension

REF  
PVC

[147TA3398](#)

[126TA6096](#)

### SPARE AND OPTIONAL PARTS

Slide rails: 297 mm

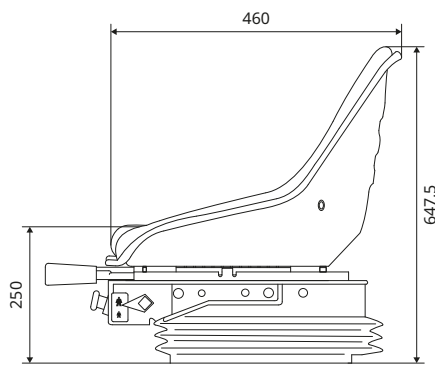
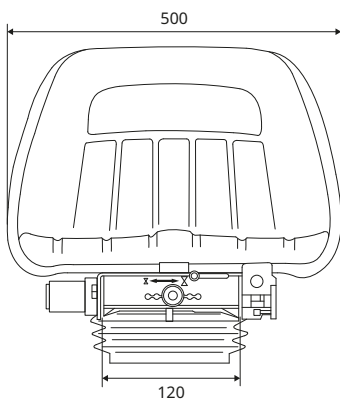
REF  
General

[144TA5372](#)

### XH2/P2



**KAB//Seating**



- Mechanical suspended seat
- Weight adjustment: 50-120 kg

#### COMPLETE SEATS

	REF
Seat with rail seat	<a href="#">141TA7757</a>
Seat without suspension	<a href="#">139TA6039</a>

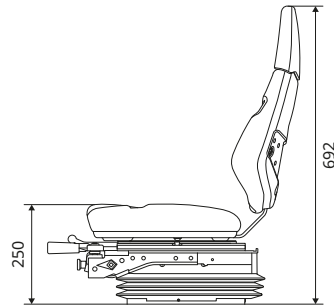
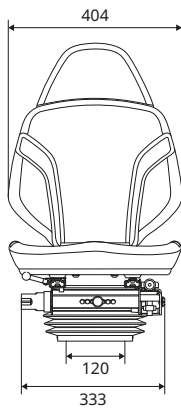
#### SPARE AND OPTIONAL PARTS

	REF
Slide rails: 297 mm	<b>General</b> <a href="#">144TA5372</a>

## XH2/P6



**KAB//Seating**



- Mechanical suspended seat with headrest
- Weight adjustment: 50-120 kg

### COMPLETE SEATS

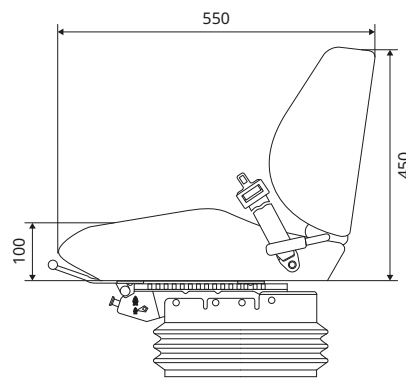
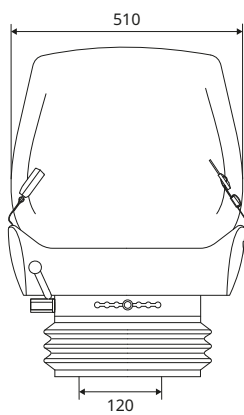
	REF PVC	REF Fabric
Seat with rail seat	<a href="#">139TA6042</a>	
Seat without suspension	<a href="#">139TA6041</a>	<a href="#">144TA5373</a>

### SPARE AND OPTIONAL PARTS

	REF PVC	REF General
Seat cushion + switch	<a href="#">166TA6016</a>	
Headrest	<a href="#">144TA5350</a>	
Slide rails: 297 mm		<a href="#">144TA5372</a>
Armrest kit		<a href="#">144TA5352</a>
Static seat belt (black)		<a href="#">144TA5351</a>

All dimensions in mm.

### XH2/T6



**KAB//Seating**

- Mechanical suspended seat with headrest
- Weight adjustment: 50–120 kg
- Used on Bobcat

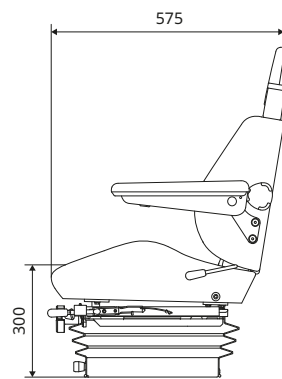
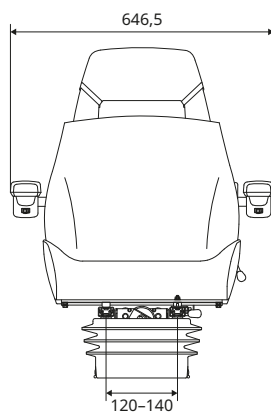
#### COMPLETE SEATS

	REF PVC	REF Fabric
Seat + seat belt	On request	<a href="#">147TA3399</a>

#### SPARE AND OPTIONAL PARTS

	REF PVC	REF Fabric	REF General
Seat cover kit	<a href="#">126TA6073</a>	<a href="#">128TA4242</a>	
Seat foam kit			<a href="#">128TA4232</a>
Backrest cover kit			<a href="#">129TA7747</a>
Backrest foam kit			<a href="#">129TA7746</a>
Slide rails: 297 mm			<a href="#">144TA5372</a>
Armrest kit			<a href="#">141TA7803</a>
Static seat belt (black)			<a href="#">147TA3648</a>

All dimensions in mm.



**KAB//Seating**

- Mechanical suspended seat
- Weight adjustment: 50–120 kg
- Used on telehandlers, wheelloaders, excavators

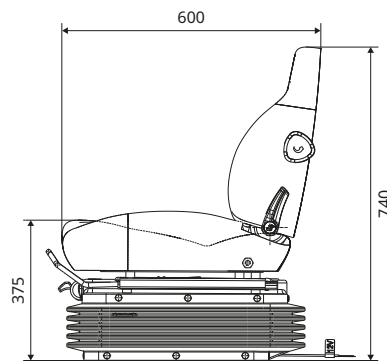
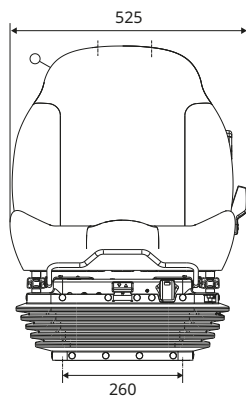
#### COMPLETE SEATS

	REF PVC	REF Fabric
Seat + seat belt	<a href="#">147TA4992</a>	Not available

#### SPARE AND OPTIONAL PARTS

	REF PVC	REF Fabric	REF General
Seat cover kit	<a href="#">129TA7745</a>	<a href="#">128TA4242</a>	
Seat foam kit			<a href="#">110TA8942</a>
Headrest	<a href="#">129TA7748</a>	<a href="#">144TA5726</a>	
Backrest foam kit			<a href="#">129TA7746</a>
Backrest cover kit	<a href="#">144TA5725</a>	<a href="#">129TA7747</a>	
Switch			<a href="#">110TA8936</a>
Armrest kit			<a href="#">141TA7803</a>
ALR seat belt (black)			<a href="#">141TA7802</a>

### 11E6 STANDARD



**KAB//Seating**

- Mechanical suspended seat
- Weight adjustment: 50-120 kg

#### COMPLETE SEATS

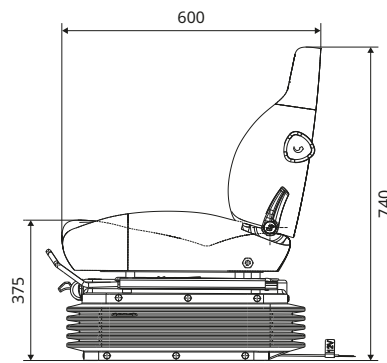
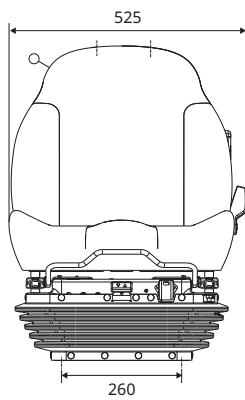
	REF PVC	REF Fabric
Seat	On request	<a href="#">147TA3402</a>
Seat + seat belt	<a href="#">144TA5729</a>	

#### SPARE AND OPTIONAL PARTS

	REF PVC	REF Fabric	REF General
Seat cover kit	<a href="#">144TA5730</a>	<a href="#">144TA3667</a>	
Seat foam kit			<a href="#">144TA3668</a>
Headrest	<a href="#">144TA5732</a>	<a href="#">147TA3405</a>	
Backrest foam kit			<a href="#">144TA3670</a>
Backrest cover kit	<a href="#">144TA5731</a>	<a href="#">147TA3404</a>	
Slide rails			<a href="#">144TA5372</a>
Switch			<a href="#">110TA8932</a>
Armrest kit			<a href="#">141TA7803</a>
ALR seat belt (black)			<a href="#">141TA7802</a>

All dimensions in mm.

## 11E6 (KAB BY TVH)



**KAB//Seating**

- Mechanical suspended seat
- Weight adjustment: 50-120 kg

### COMPLETE SEATS

	REF PVC	REF Fabric
Seat (Kab by TVH)	On request	<a href="#">141TA7758</a>
Seat + seat belt	<a href="#">144TA5729</a>	<a href="#">147TA3406</a>

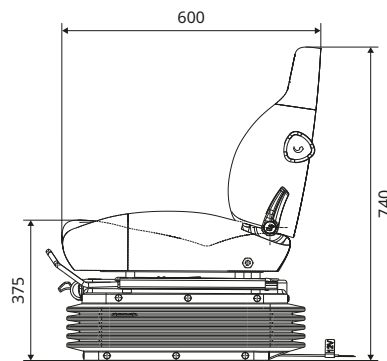
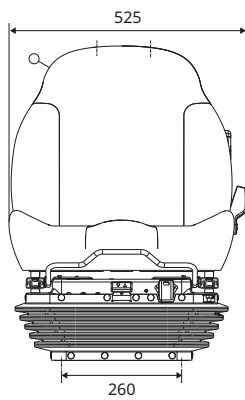
### SPARE AND OPTIONAL PARTS

	REF PVC	REF Fabric	REF General
Seat cover kit (Kab by TVH)	<a href="#">144TA5730</a>	<a href="#">144TA3667</a>	
Seat foam kit			<a href="#">144TA3668</a>
Headrest (Kab by TVH)	<a href="#">144TA5732</a>	<a href="#">141TA7759*</a>	
Backrest foam kit			<a href="#">144TA3670</a>
Backrest cover kit (Kab by TVH)	<a href="#">144TA5731</a>	<a href="#">144TA3669</a>	
Slide rails			<a href="#">144TA5372</a>
Switch			<a href="#">110TA8932</a>
Armrest kit			<a href="#">141TA7803</a>
ALR seat belt (black)			<a href="#">141TA7802</a>

\*TotalSource headrest

All dimensions in mm.

### 11E1 (KAB BY TVH)



**KAB//Seating**

- Mechanical suspended seat
- Weight adjustment: 50–120 kg
- Used on JCB

#### COMPLETE SEATS

	REF PVC	REF Fabric
Seat	On request	<a href="#">141TA7732</a>
Seat + seat belt	On request	<a href="#">147TA3407</a>

#### SPARE AND OPTIONAL PARTS

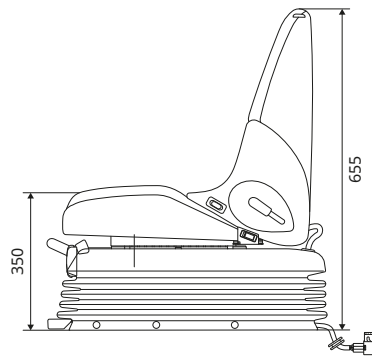
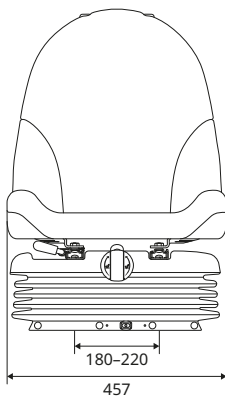
	REF PVC	REF Fabric	REF General
Seat cover kit	<a href="#">144TA5730</a>	<a href="#">144TA3667</a>	
Seat foam kit			<a href="#">144TA3668</a>
Headrest		<a href="#">141TA7759*</a>	
Backrest foam kit			<a href="#">144TA5734</a>
Backrest cover kit	<a href="#">144TA5733</a>	<a href="#">144TA5735</a>	
Slide rails: 297 mm			<a href="#">144TA5372</a>
Switch			<a href="#">110TA8932</a>
Armrest kit			<a href="#">141TA7803</a>
ALR seat belt (black)			<a href="#">141TA7802</a>

\*TotalSource headrest

## 11L2



**KAB//Seating**



- Mechanical suspended seat
- Weight adjustment: 50–120 kg
- Used on Linde/Still

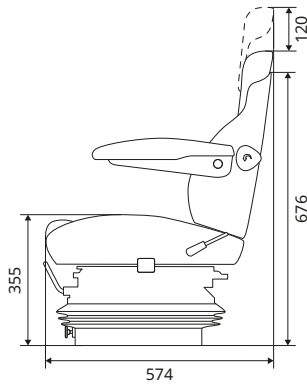
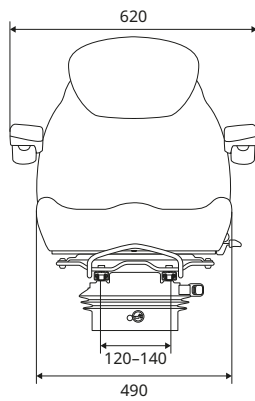
### COMPLETE SEATS

	REF PVC	REF Fabric
Seat + switch (OPS)	<a href="#">152TA1958</a>	Not available

### SPARE AND OPTIONAL PARTS

	REF PVC	REF Fabric	REF General
Seat cover kit	<a href="#">139TA6089</a>	<a href="#">139TA6090</a>	
Seat foam kit			<a href="#">139TA6088</a>
Slide rails: 275 mm			<a href="#">147TA3408</a>
Switch			<a href="#">152TA1959</a>
Static seat belt (black)			<a href="#">147TA3648</a>

### 15E1 (KAB BY TVH)



**KAB//Seating**

- Air suspended seat
- Weight adjustment: 50–120 kg
- Used on telehandlers, wheelloaders, excavators

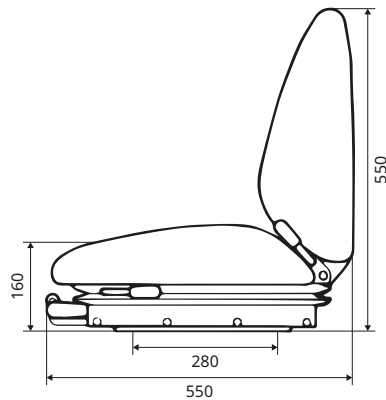
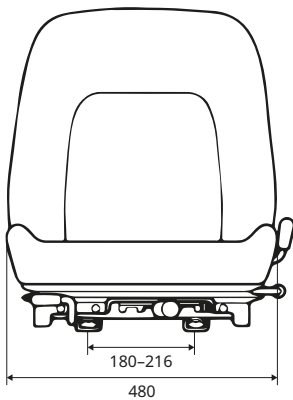
#### COMPLETE SEATS

	REF PVC	REF Fabric
Seat (12 V)	On request	<a href="#">141TA7731</a>

#### SPARE AND OPTIONAL PARTS

	REF PVC	REF Fabric	REF General
Seat cover kit	<a href="#">144TA5730</a>	<a href="#">144TA3667</a>	
Seat foam kit			<a href="#">144TA3668</a>
Headrest		<a href="#">141TA7759</a>	
Backrest cover kit	<a href="#">144TA5733</a>	<a href="#">144TA5735</a>	
Backrest foam kit			<a href="#">144TA5734</a>
Slide rails			<a href="#">147TA3409</a>
Switch			<a href="#">110TA8932</a>
Armrest kit			<a href="#">141TA7803</a>
ALR seat belt (black)			<a href="#">141TA7802</a>

All dimensions in mm.


**KAB//Seating**

- Mechanical suspension
- Universal forklift seat
- Weight adjustment: 50–120 kg

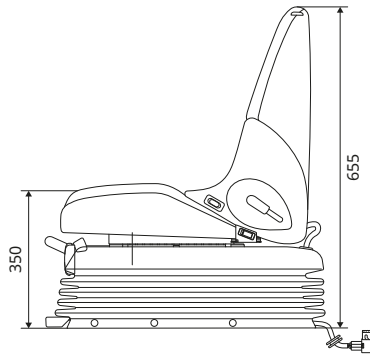
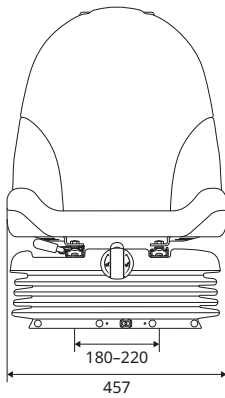
**COMPLETE SEATS**

	REF PVC	REF Fabric
Seat	<a href="#">110TA8875</a>	<a href="#">110TA8876</a>
Seat + switch	<a href="#">110TA8877</a>	<a href="#">123TA7546</a>
Seat + switch + seat belt	<a href="#">110TA8880</a>	<a href="#">123TA7548</a>
Seat + seat belt	<a href="#">110TA8879</a>	<a href="#">123TA7547</a>

**SPARE AND OPTIONAL PARTS**

	REF PVC	REF Fabric	REF General
Seat cushion middle part	<a href="#">110TA8889</a>	<a href="#">110TA8890</a>	
Seat cushion middle part (12 V)	<a href="#">110TA8891</a>		
Seat cushion middle part (24 V)	<a href="#">110TA8892</a>		
Seat cushion middle part (48 V)	<a href="#">110TA8893</a>		
Seat cushion middle part + switch	<a href="#">165TA9632</a>	<a href="#">152TA1961</a>	
Seat cover kit	<a href="#">110TA8883</a>	<a href="#">110TA8884</a>	
Seat foam kit			<a href="#">110TA8885</a>
Backrest cushion foam			<a href="#">110TA8888</a>
Backrest cover kit			<a href="#">110TA8887</a>
Slide rails: 297 mm			<a href="#">110TA8898</a>
Switch NC			<a href="#">123TA7549</a>
Switch NO			<a href="#">106TA5151</a>
Hip guards			<a href="#">110TA8899</a>
Armrest kit			<a href="#">123TA7550</a>
ALR seat belt (black)			<a href="#">106TA5147</a>

212



**KAB//Seating**

- Mechanical suspension
- Universal forklift seat
- Weight adjustment: 50–120 kg
- Used on Linde/Still

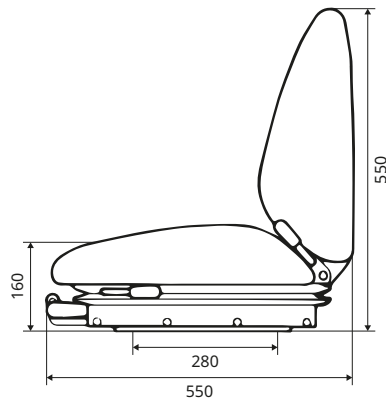
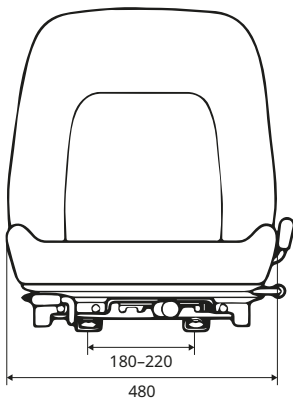
### COMPLETE SEATS

	REF PVC	REF Fabric
Seat + switch	<a href="#">139TA6084</a>	<a href="#">139TA6085</a>
Seat heated (48 V) + switch	<a href="#">147TA3410</a>	

### SPARE AND OPTIONAL PARTS

	REF PVC	REF Fabric	REF General
Seat cover kit	<a href="#">139TA6089</a>	<a href="#">139TA6090</a>	
Seat foam kit			<a href="#">139TA6088</a>
Headrest		<a href="#">141TA7759</a>	
Backrest cover kit	<a href="#">144TA5733</a>	<a href="#">144TA5735</a>	
Backrest foam kit			<a href="#">144TA5734</a>
Slide rails: 275 mm			<a href="#">147TA3408</a>
Slide rails			<a href="#">147TA3409</a>
Switch			<a href="#">152TA1959</a>
Switch connection plate			<a href="#">110TA8932</a>
Armrest kit			<a href="#">141TA7803</a>
ALR seat belt (black)			<a href="#">141TA7802</a>

All dimensions in mm.



## KAB//Seating

- Mechanical suspension
- Universal forklift seat
- Weight adjustment: 50–120 kg

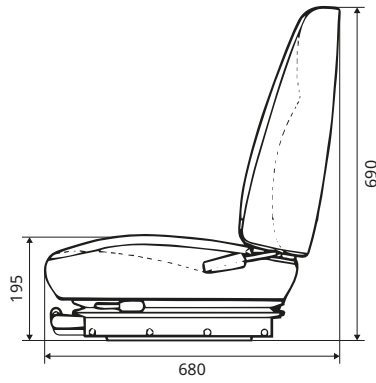
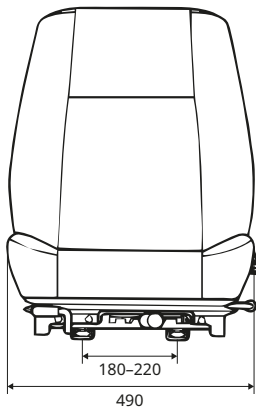
### COMPLETE SEATS

	REF PVC	REF Fabric
Seat	<a href="#">123TA7568</a>	<a href="#">123TA7571</a>
Seat + switch	<a href="#">123TA7569</a>	<a href="#">123TA7572</a>
Seat + switch + seat belt	<a href="#">123TA7570</a>	<a href="#">123TA7573</a>

### SPARE AND OPTIONAL PARTS

	REF PVC	REF Fabric	REF General
Seat cover kit	<a href="#">144TA5739</a>	<a href="#">144TA5745</a>	
Seat foam kit			<a href="#">144TA5742</a>
Backrest foam kit			<a href="#">144TA5743</a>
Backrest cover kit	<a href="#">144TA5740</a>	<a href="#">144TA5746</a>	
Slide rails: 297 mm			<a href="#">110TA8898</a>
Switch			<a href="#">123TA7549</a>
Hip guards			<a href="#">110TA8899</a>
Armrest kit			<a href="#">144TA5744</a>
Hump cover kit			<a href="#">144TA5747</a>
ALR seat belt (black)			<a href="#">106TA5147</a>

### 21T1



**KAB//Seating**

- Mechanical suspension
- Universal forklift seat
- Weight adjustment: 50–120 kg

#### COMPLETE SEATS

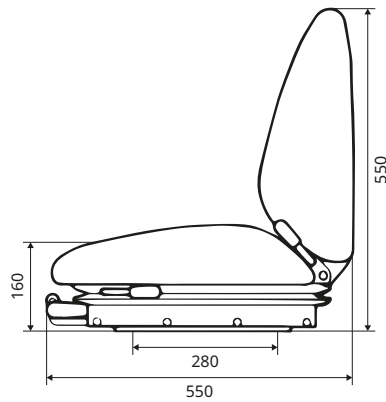
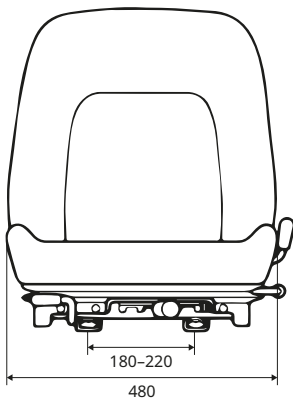
	REF PVC	REF Fabric
Seat	<a href="#">126TA6080</a>	<a href="#">126TA6081</a>

#### SPARE AND OPTIONAL PARTS

	REF PVC	REF Fabric	REF General
Seat cover kit	<a href="#">110TA8940</a>	<a href="#">110TA8941</a>	
Seat foam kit			<a href="#">110TA8942</a>
Headrest	<a href="#">110TA8960</a>	<a href="#">144TA5358</a>	
Backrest cover kit	<a href="#">110TA8943</a>	<a href="#">110TA8944</a>	
Backrest foam kit			<a href="#">110TA8945</a>
Slide rails: 297 mm			<a href="#">110TA8988</a>
Switch			<a href="#">110TA8932</a>
Armrest kit			<a href="#">141TA7803</a>
ALR seat belt (black)			<a href="#">141TA7802</a>

All dimensions in mm.

## 254 AIR



**KAB//Seating**

- Air suspension
- Universal forklift seat
- Weight adjustment: 50–120 kg

### COMPLETE SEATS

	REF PVC	REF Fabric
Seat (12 V)	<a href="#">126TA6071</a>	<a href="#">128TA4247</a>
Seat (12 V) + switch	<a href="#">128TA4248</a>	<a href="#">144TA5750</a>
Seat (12 V) + switch + seat belt	<a href="#">128TA4249</a>	<a href="#">144TA5751</a>
Seat (24 V)	<a href="#">144TA5748</a>	<a href="#">128TA4250</a>
Seat (24 V) + switch + seat belt	<a href="#">144TA5749</a>	<a href="#">144TA5752</a>

### SPARE AND OPTIONAL PARTS

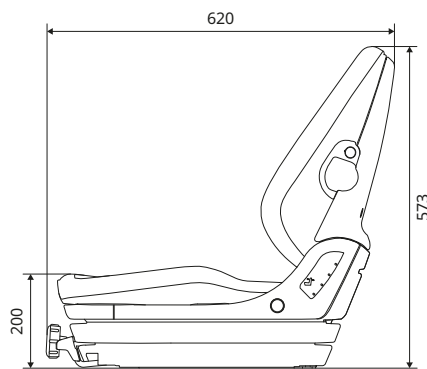
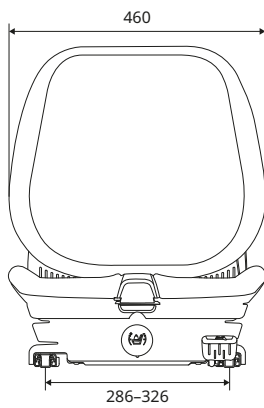
	REF PVC	REF Fabric	REF General
Seat cover kit	<a href="#">144TA5739</a>	<a href="#">144TA5745</a>	
Seat foam kit			<a href="#">144TA5742</a>
Backrest cover kit	<a href="#">144TA5740</a>	<a href="#">144TA5746</a>	
Backrest foam kit			<a href="#">144TA5743</a>
Slide rails: 297 mm			<a href="#">110TA8898</a>
Switch			<a href="#">123TA7549</a>
Armrest kit			<a href="#">144TA5744</a>
Hip guards			<a href="#">110TA8899</a>
ALR seat belt (black)			<a href="#">106TA5147</a>
Hump cover kit			<a href="#">144TA5747</a>

All dimensions in mm.

# SEATS

## KAB SEATING

### COMPACT



**KAB//Seating**

- Mechanical suspension
- Universal forklift seat
- Weight adjustment: 50–120 kg

### COMPLETE SEATS

	REF PVC	REF Fabric
Seat + switch + seat belt	<a href="#">139TA4571</a>	<a href="#">141TA1572</a>

### SPARE AND OPTIONAL PARTS

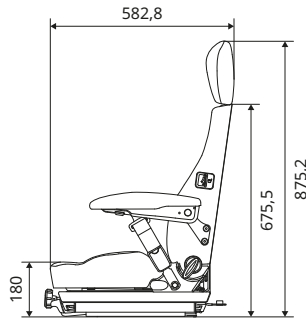
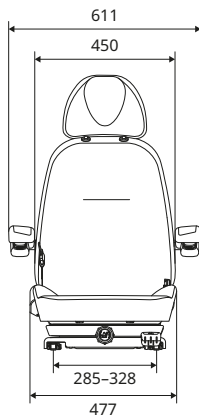
	REF PVC	REF Fabric	REF General
Seat cushion	<a href="#">141TA1570</a>	<a href="#">166TA8794</a>	
Backrest cushion	<a href="#">141TA1571</a>	<a href="#">141TA1574</a>	
Slide rails: 315 mm			<a href="#">144TA5753</a>
Switch			<a href="#">141TA1575</a>
ALR seat belt (black)			<a href="#">144TA5754</a>

All dimensions in mm.

## SENTINEL 60 SUSPENSION MECHANICAL



**KAB//Seating**



- Mechanical suspension
- Universal forklift seat
- Weight adjustment: 50–120 kg

### COMPLETE SEATS

	REF PVC	REF Fabric
Seat + switch	<a href="#">144TA5755</a>	On request
Seat heated (48 V) + switch	<a href="#">144TA5756</a>	On request

### SPARE AND OPTIONAL PARTS

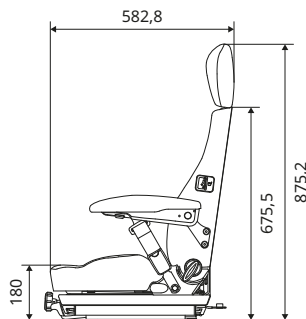
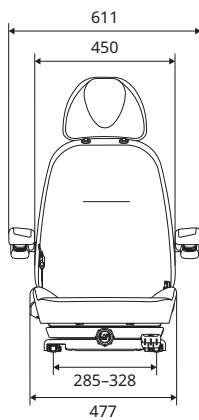
	REF PVC	REF Fabric	REF General
Seat cushion + switch	On request	<a href="#">147TA3442</a>	
Backrest cushion	<a href="#">147TA3433</a>		
Headrest	<a href="#">144TA5757</a>	<a href="#">144TA5764</a>	
Seat cushion heated (48 V) + switch	<a href="#">147TA3434</a>	<a href="#">147TA3438</a>	
Backrest cushion heated (48 V)	<a href="#">147TA3435</a>	<a href="#">147TA3439</a>	
Armrest LH			<a href="#">144TA5761</a>
Armrest RH			<a href="#">144TA5762</a>
Seat belt			<a href="#">144TA5760</a>

All dimensions in mm.

### SENTINEL 60 SUSPENSION AIR



**KAB//Seating**



- Air suspended
- Universal forklift seat 48 V
- Weight adjustment: 50-140 kg

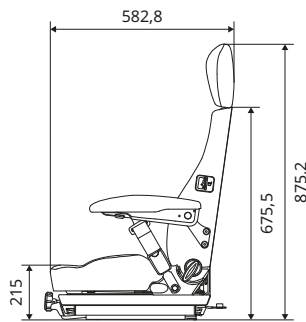
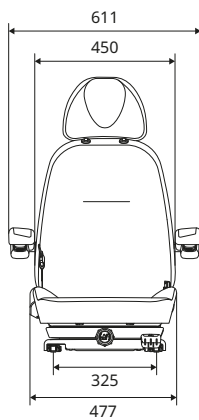
#### COMPLETE SEATS

	REF PVC	REF Fabric
Seat heated (48 V) + switch	On request	<a href="#">144TA5763</a>

#### SPARE AND OPTIONAL PARTS

	REF PVC	REF Fabric	REF General
Seat cushion + switch	On request	<a href="#">147TA3442</a>	
Backrest cushion	<a href="#">147TA3433</a>		
Headrest	<a href="#">144TA5757</a>	<a href="#">144TA5764</a>	
Seat cushion heated (48 V) + switch	<a href="#">147TA3434</a>	<a href="#">147TA3438</a>	
Backrest cushion heated (48 V)	<a href="#">147TA3435</a>	<a href="#">147TA3439</a>	
Armrest LH			<a href="#">144TA5761</a>
Armrest RH			<a href="#">144TA5762</a>
Seat belt			<a href="#">144TA5760</a>

## SENTINEL 80 SUSPENSION MECHANICAL



**KAB//Seating**

- Mechanical suspension

### COMPLETE SEATS

	REF PVC	REF Fabric
Seat	<a href="#">144TA5766</a>	<a href="#">144TA5768</a>
Seat + switch	On request	<a href="#">144TA5769</a>

### SPARE AND OPTIONAL PARTS

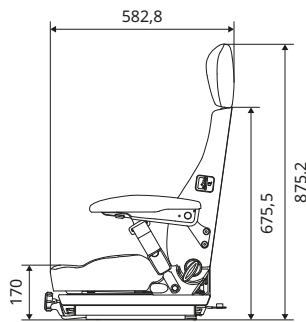
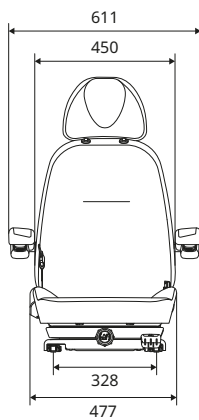
	REF PVC	REF Fabric	REF General
Seat cushion + switch	On request	<a href="#">147TA3442</a>	
Backrest cushion	<a href="#">147TA3433</a>		
Headrest	<a href="#">144TA5757</a>	<a href="#">144TA5764</a>	
Seat cushion heated (48 V) + switch	<a href="#">147TA3434</a>	<a href="#">147TA3438</a>	
Backrest cushion heated (48 V)	<a href="#">147TA3435</a>	<a href="#">147TA3439</a>	
Armrest LH			<a href="#">144TA5761</a>
Armrest RH			<a href="#">144TA5762</a>

All dimensions in mm.

### SENTINEL 80 SUSPENSION AIR



**KAB//Seating**



- Air suspended seat with lumbar support

#### COMPLETE SEATS

	REF PVC	REF Fabric
Seat (48 V) + switch	On request	<a href="#">144TA5770</a>

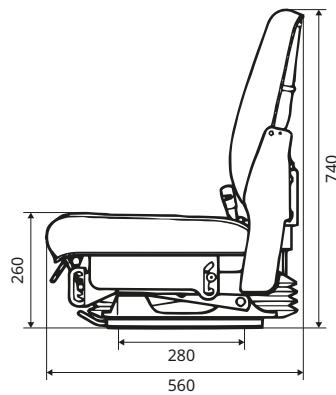
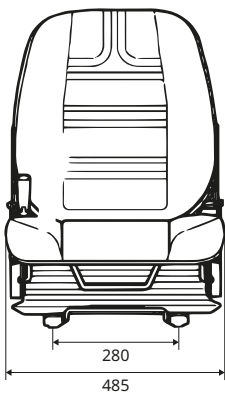
#### SPARE AND OPTIONAL PARTS

	REF PVC	REF Fabric	REF General
Seat cushion + switch	On request	<a href="#">147TA3442</a>	
Backrest cushion	<a href="#">147TA3433</a>		
Headrest	<a href="#">144TA5757</a>	<a href="#">144TA5764</a>	
Seat cushion heated (48 V) + switch	<a href="#">147TA3434</a>	<a href="#">147TA3438</a>	
Backrest cushion heated (48 V)	<a href="#">147TA3435</a>	<a href="#">147TA3439</a>	
Armrest LH			<a href="#">144TA5761</a>
Armrest RH			<a href="#">144TA5762</a>

## 301



**KAB//Seating**



- Mechanical suspension
- Universal forklift seat
- Weight adjustment: 50–120 kg

### COMPLETE SEATS

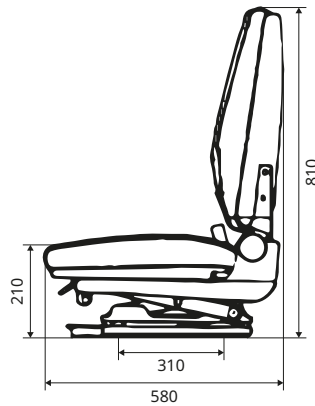
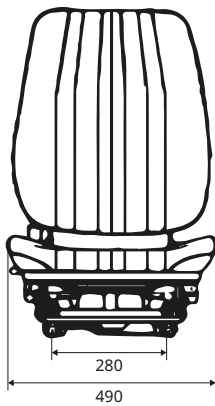
	REF PVC	REF Fabric
Seat	Not available	Not available

### SPARE AND OPTIONAL PARTS

	REF PVC	REF Fabric	REF General
Seat cushion cover	<a href="#">110TA8904</a>	<a href="#">110TA8905</a>	
Backrest cushion	<a href="#">110TA8906</a>	<a href="#">110TA8907</a>	
Headrest	<a href="#">110TA8908</a>	<a href="#">110TA8909</a>	
Slide rails: 365 mm			<a href="#">110TA8911</a>
Armrest kit			<a href="#">111TA4098</a>
ALR seat belt (black)			<a href="#">106TA5149</a>
ALR seat belt (orange)			<a href="#">142TA3335</a>

All dimensions in mm.

### 303



**KAB//Seating**

- Mechanical suspension
- Universal forklift seat
- Weight adjustment: 50–120 kg

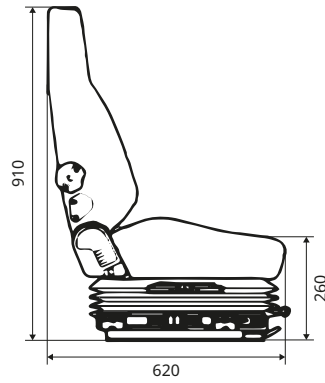
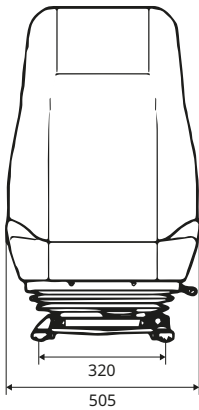
#### COMPLETE SEATS

	REF PVC	REF Fabric
Seat	Not available	Not available

#### SPARE AND OPTIONAL PARTS

	REF PVC	REF Fabric	REF General
Seat cushion	Not available	Not available	
Headrest	Not available	Not available	
Slide rails: 356 mm			Not available
Armrest kit			Not available
ALR seat belt (black)			Not available
ALR seat belt (orange)			Not available

All dimensions in mm.


**KAB//Seating**

- Mechanical suspension
- Universal forklift seat
- Weight adjustment: 50–120 kg

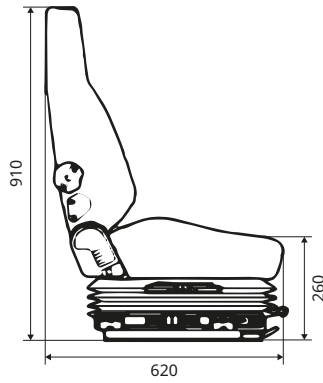
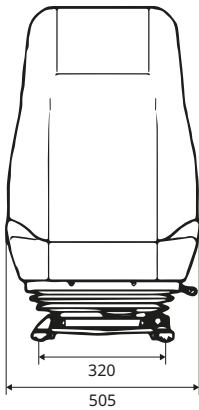
**COMPLETE SEATS**

	REF PVC	REF Fabric
Seat	<a href="#">144TA5771</a>	<a href="#">110TA8939</a>

**SPARE AND OPTIONAL PARTS**

	REF PVC	REF Fabric	REF General
Seat cover kit	<a href="#">110TA8940</a>	<a href="#">110TA8941</a>	
Seat foam kit			<a href="#">110TA8942</a>
Headrest	<a href="#">110TA8953</a>	<a href="#">144TA5358</a>	
Backrest cover kit	<a href="#">110TA8943</a>	<a href="#">110TA8944</a>	
Backrest foam kit			<a href="#">110TA8945</a>
Slide rails: 280 mm			<a href="#">144TA5772</a>
Slide rails: 320 mm			<a href="#">110TA8964</a>
Switch			<a href="#">106TA5151</a>
Armrest kit			<a href="#">110TA8949</a>
ALR seat belt (black)			<a href="#">105TA4857</a>

414



**KAB//Seating**

- Mechanical suspension
- Universal forklift seat
- Weight adjustment: 50–120 kg

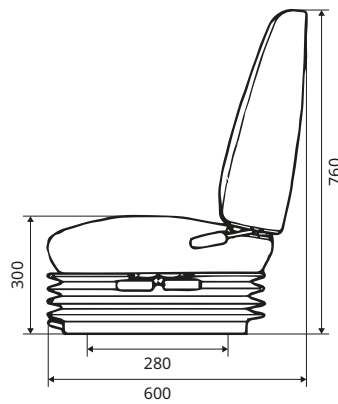
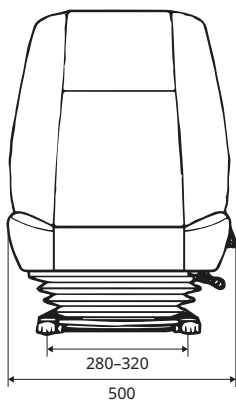
### COMPLETE SEATS

	REF PVC	REF Fabric
Seat	Not available	<a href="#">110TA8951</a>

### SPARE AND OPTIONAL PARTS

	REF PVC	REF Fabric	REF General
Seat cover kit	<a href="#">128TA4231</a>	<a href="#">129TA7743</a>	
Seat foam kit			<a href="#">128TA4232</a>
Headrest	<a href="#">110TA8970</a>	<a href="#">110TA8971</a>	
Backrest cover kit	<a href="#">128TA4233</a>	<a href="#">129TA7744</a>	
Backrest foam kit			<a href="#">128TA4234</a>
Slide rails: 320 mm			<a href="#">110TA8964</a>
Switch			<a href="#">106TA5151</a>
Armrest kit			<a href="#">141TA7803</a>
ALR seat belt (black)			<a href="#">141TA7802</a>

All dimensions in mm.


**KAB//Seating**


- Universal forklift seat without compressor
- Air suspension
- Weight adjustment: 50–120 kg

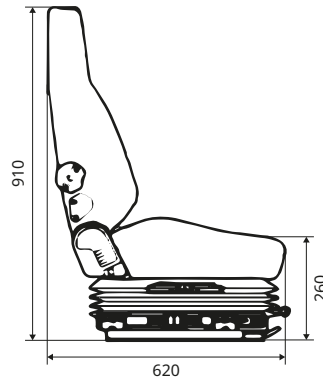
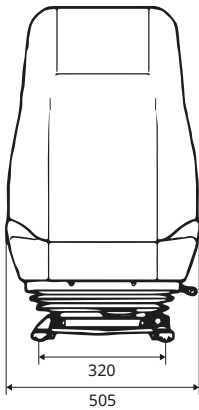
**COMPLETE SEATS**

	REF PVC	REF Fabric
Seat (without compressor)	On request	<a href="#">110TA8957</a>
Seat + switch + armrests (without compressor)	<a href="#">110TA8956</a>	On request
Seat (12 V)	<a href="#">110TA8958</a>	<a href="#">110TA8959</a>
Seat (24 V)	<a href="#">166TA8795</a>	<a href="#">111TA4100</a>

**SPARE AND OPTIONAL PARTS**

	REF PVC	REF Fabric	REF General
Seat cover kit	<a href="#">110TA8940</a>	<a href="#">110TA8941</a>	
Seat foam kit			<a href="#">110TA8942</a>
Headrest	<a href="#">110TA8960</a>	<a href="#">144TA5358</a>	
Backrest cover kit	<a href="#">110TA8943</a>	<a href="#">110TA8944</a>	
Backrest foam kit			<a href="#">110TA8945</a>
Slide rails: 280 mm			<a href="#">144TA5772</a>
Slide rails: 320 mm			<a href="#">110TA8964</a>
Switch			<a href="#">110TA8962</a>
Armrest kit			<a href="#">110TA8965</a>
ALR seat belt (black)			<a href="#">105TA4857</a>
Compressor kit (12 V)			<a href="#">165TA9645</a>
Compressor kit (24 V)			<a href="#">166TA8430</a>

714



**KAB//Seating**

- Universal forklift seat without compressor
- Air suspension
- Weight adjustment: 50–120 kg

### COMPLETE SEATS

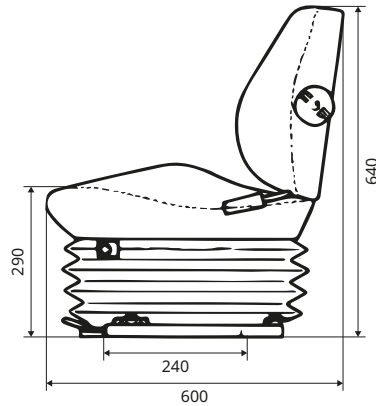
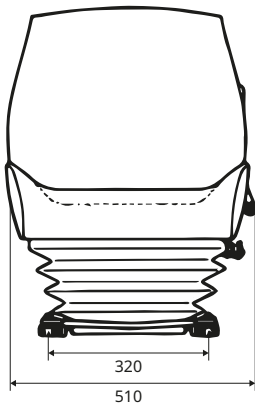
	REF PVC	REF Fabric
Seat	<a href="#">110TA8934</a>	<a href="#">110TA8967</a>
Seat (12 V)	<a href="#">110TA8968</a>	On request

### SPARE AND OPTIONAL PARTS

	REF PVC	REF Fabric	REF General
Seat cover kit	<a href="#">128TA4231</a>	<a href="#">129TA7743</a>	
Seat foam kit			<a href="#">128TA4232</a>
Headrest	<a href="#">110TA8970</a>	<a href="#">110TA8971</a>	
Backrest cover kit	<a href="#">128TA4233</a>	<a href="#">129TA7744</a>	
Backrest foam kit			<a href="#">128TA4234</a>
Slide rails: 280 mm			<a href="#">144TA5772</a>
Slide rails: 320 mm			<a href="#">110TA8964</a>
Switch			<a href="#">110TA8936</a>
Armrest kit			<a href="#">141TA7803</a>
ALR seat belt (black)			<a href="#">141TA7802</a>

All dimensions in mm.

716



**KAB//Seating**

- Air suspension
- Universal forklift seat
- Weight adjustment: 50–120 kg

**COMPLETE SEATS**

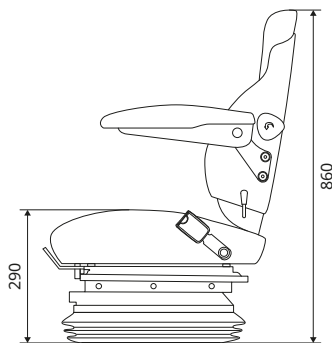
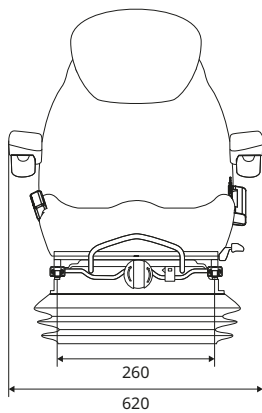
	REF PVC	REF Fabric
Seat (12 V) + switch + seat belt	Not available	Not available

**SPARE AND OPTIONAL PARTS**

	REF PVC	REF Fabric	REF General
Seat cover kit	<a href="#">126TA6073</a>	<a href="#">128TA4242</a>	
Seat foam kit			<a href="#">110TA8942</a>
Headrest	<a href="#">129TA7748</a>	<a href="#">144TA5726</a>	
Backrest cover kit	<a href="#">144TA5367</a>	<a href="#">129TA7747</a>	
Backrest foam kit			<a href="#">129TA7746</a>
Switch			<a href="#">110TA8936</a>
Armrest kit			<a href="#">141TA7803</a>
ALR seat belt (black)			<a href="#">141TA7802</a>

All dimensions in mm.

### 83E1



**KAB//Seating**

- Air suspension
- Universal forklift seat with headrest and armrests
- Weight adjustment: 50–130 kg

#### COMPLETE SEATS

	REF PVC	REF Fabric
Seat + seat belt	<a href="#">144TA5774</a>	<a href="#">144TA5775</a>

#### SPARE AND OPTIONAL PARTS

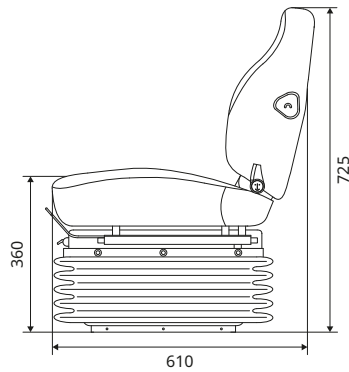
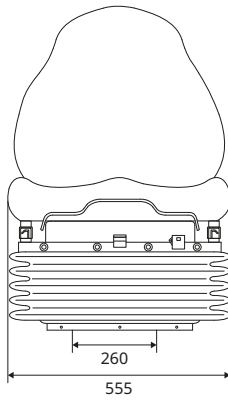
	REF PVC	REF Fabric	REF General
Seat cover kit	<a href="#">147TA3449</a>	<a href="#">144TA5779</a>	
Seat foam kit			<a href="#">144TA3668</a>
Headrest	<a href="#">144TA5732</a>	<a href="#">147TA3405</a>	
Backrest cover kit	<a href="#">147TA3450</a>	<a href="#">144TA5780</a>	
Backrest foam kit			<a href="#">144TA5734</a>
Slide rails			<a href="#">144TA5777</a>
Switch			<a href="#">106TA5151</a>
Armrest kit			<a href="#">141TA7803</a>
Seat belt (black)			<a href="#">144TA5776</a>

All dimensions in mm.

## 85E6 (KAB BY TVH)



**KAB//Seating**



- Air suspended seat
- Weight adjustment: 50–120 kg
- Used on JCB: agriculture and construction

### COMPLETE SEATS

	REF PVC	REF Fabric
Seat (12 V)	<a href="#">166TA8799</a>	<a href="#">141TA7730</a>

### SPARE AND OPTIONAL PARTS

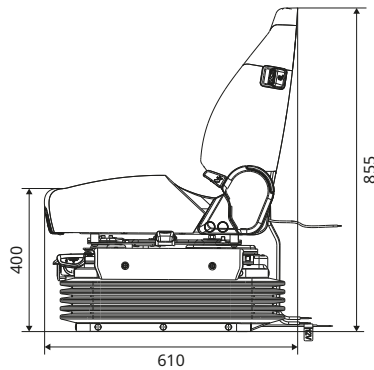
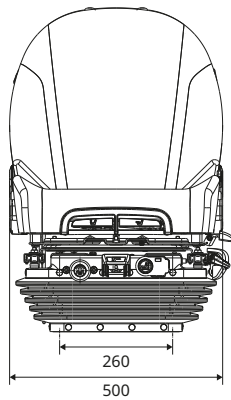
	REF PVC	REF Fabric	REF General
Seat cover kit	<a href="#">144TA5730</a>	<a href="#">144TA3667</a>	
Seat foam kit			<a href="#">144TA3668</a>
Headrest	<a href="#">144TA5732</a>	<a href="#">141TA7759</a>	
Backrest cover kit	<a href="#">144TA5731</a>	<a href="#">144TA3669</a>	
Backrest foam kit			<a href="#">144TA3670</a>
Slide rails: 356 mm			<a href="#">144TA3671</a>
Switch			<a href="#">110TA8932</a>
Armrest kit			<a href="#">141TA7803</a>
ALR seat belt (black)			<a href="#">141TA7802</a>

All dimensions in mm.

# SEATS

## KAB SEATING

### 85K6



**KAB//Seating**

- Air suspended seat
- Features: heating, electrical lumbar support, seat length and tilt adjustment
- Weight adjustment: 50-120 kg
- Used in agriculture

#### COMPLETE SEATS

	REF PVC	REF Fabric
Seat heated (12 V) + switch	On request	<a href="#">141TA7729</a>
Seat heated (24 V)	On request	<a href="#">143TA7532</a>

#### SPARE AND OPTIONAL PARTS

	REF PVC	REF Fabric	REF General
Seat cover kit	<a href="#">144TA5781</a>	<a href="#">144TA3672</a>	
Seat foam kit			<a href="#">144TA3673</a>
Headrest	<a href="#">144TA5732</a>	<a href="#">141TA7759</a>	
Backrest cover kit	<a href="#">144TA5782</a>	<a href="#">144TA3674</a>	
Backrest foam kit			<a href="#">144TA3675</a>
Slide rails			<a href="#">144TA3677</a>
Switch			<a href="#">141TA5228</a>
Armrest kit			<a href="#">141TA7801</a>
ALR seat belt (black)			<a href="#">141TA7802</a>

All dimensions in mm.

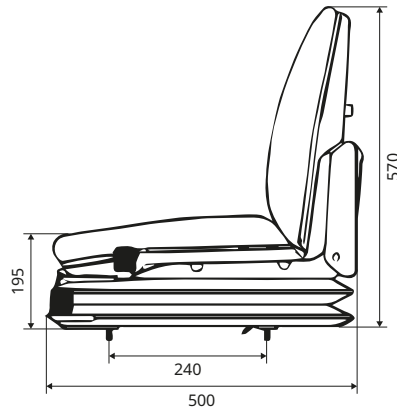
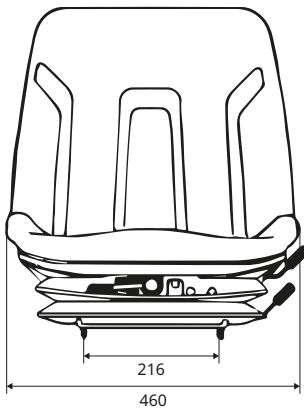






**04.**  
**ISRI**

## ISRI 2300 LR



**ISRI**<sup>®</sup>  
ISRINGHAUSEN

- Mechanical suspension
- Universal forklift seat
- Weight adjustment: 50–130 kg
- Also available with heating see (REF 147TA3381)
- Used on Still

### COMPLETE SEATS

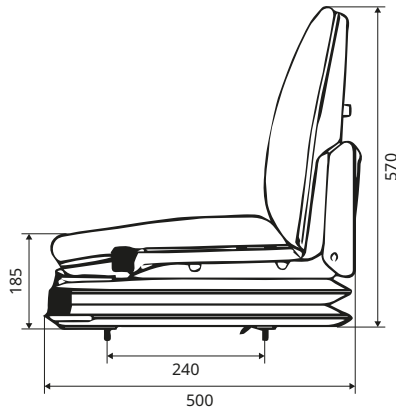
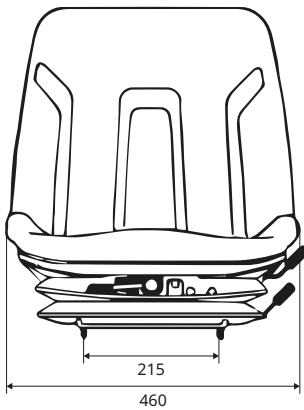
	REF PVC	REF Fabric
Seat	<a href="#">106TA8607</a>	<a href="#">110TA8857</a>
Seat + switch	<a href="#">110TA8858</a>	<a href="#">110TA8859</a>
Seat + seat belt	<a href="#">166TA8800</a>	<a href="#">110TA8861</a>

### SPARE AND OPTIONAL PARTS

	REF PVC	REF Fabric	REF General
Seat cushion	<a href="#">110TA8622</a>	<a href="#">110TA8866</a>	
Backrest cushion	<a href="#">128TA4209</a>	<a href="#">110TA8868</a>	
Switch			<a href="#">110TA8658</a>
Armrest LH			<a href="#">166TA7983</a>
Armrest RH			<a href="#">166TA7940</a>
ALR seat belt (black)			<a href="#">106TA5149</a>

All dimensions in mm.

## ISRI 2300 MR (NARROW)



- Mechanical suspension
- Universal forklift seat
- Weight adjustment: 50–130 kg
- Also available with heating (REF 147TA3381)
- Used on Still

### COMPLETE SEATS

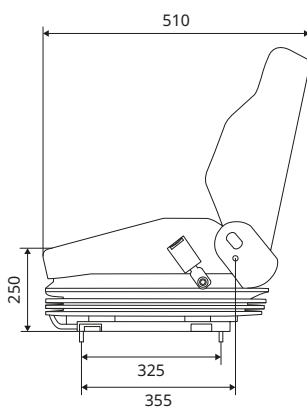
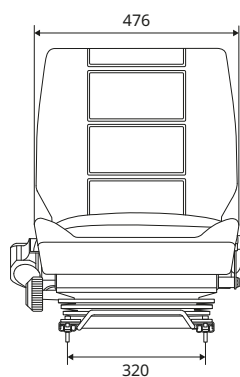
	REF PVC	REF Fabric
Seat	On request	<a href="#">166TA8801</a>
Seat + switch	On request	On request
Seat + switch + seat belt	On request	On request

### SPARE AND OPTIONAL PARTS

	REF PVC	REF Fabric	REF General
Seat cushion	<a href="#">110TA8654</a>	<a href="#">110TA8655</a>	
Backrest cushion	<a href="#">110TA8656</a>	<a href="#">110TA8657</a>	
Switch			<a href="#">110TA8658</a>
ALR seat belt (black)			<a href="#">106TA5149</a>
Set of mounting clips for the seat cushions			<a href="#">166TA6009</a>

All dimensions in mm.

## ISRI 6000/516



**ISRI**<sup>®</sup>  
ISRINGHAUSEN

- Mechanical suspension
- Universal forklift seat
- Weight adjustment: 40–130 kg
- Used on Still

### COMPLETE SEATS

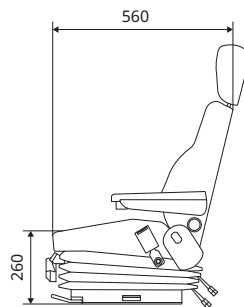
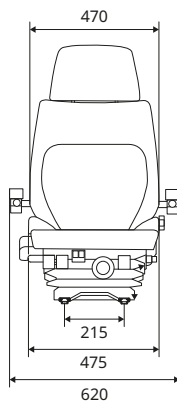
	REF PVC	REF Fabric
Seat	<a href="#">139TA6074</a>	On request
Seat + seat belt	<a href="#">145TA9020</a>	On request

### SPARE AND OPTIONAL PARTS

	REF PVC	REF Fabric	REF General
Seat cushion	<a href="#">145TA9021</a>	<a href="#">140TA8275</a>	
Backrest cushion	<a href="#">145TA9022</a>	<a href="#">145TA9024</a>	
Headrest	<a href="#">147TA3382</a>		
Switch			<a href="#">146TA1078</a>
Armrest LH			<a href="#">147TA3384</a>
Armrest RH			<a href="#">147TA3385</a>
ELR RH seat belt (black)			<a href="#">147TA3383</a>

All dimensions in mm.

## ISRI 6000/575



**ISRI**®  
ISRINGHAUSEN

- Mechanical suspension
- Universal forklift seat
- Weight adjustment: 40–130 kg

### COMPLETE SEATS

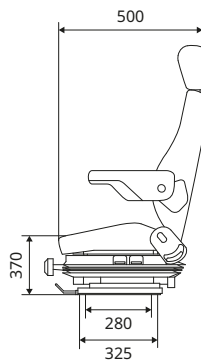
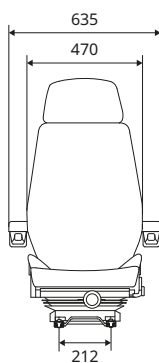
	REF PVC	REF Fabric
Seat + front controls	<a href="#">139TA6076</a>	<a href="#">145TA9023</a>

### SPARE AND OPTIONAL PARTS

	REF PVC	REF Fabric	REF General
Seat cushion	<a href="#">147TA3386</a>	<a href="#">140TA8275</a>	
Backrest cushion	<a href="#">145TA9025</a>	<a href="#">145TA9024</a>	
Headrest	<a href="#">147TA3382</a>	<a href="#">147TA3388</a>	
Armrest LH			<a href="#">147TA3384</a>
Armrest RH			<a href="#">147TA3385</a>
ELR RH seat belt (black)			<a href="#">147TA3383</a>

All dimensions in mm.

## ISRI 6000/577



- Mechanical suspension
- Universal forklift seat
- Weight adjustment: 40–130 kg

### COMPLETE SEATS

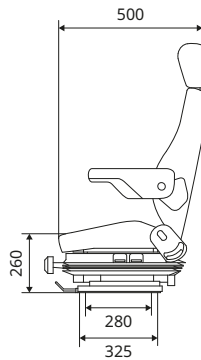
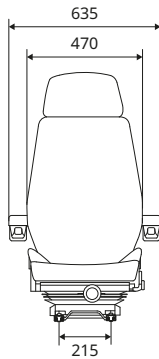
	REF Fabric
Seat + side controls	<a href="#">140TA8274</a>
Seat + front controls	<a href="#">145TA9026</a>

### SPARE AND OPTIONAL PARTS

	REF PVC	REF Fabric	REF General
Seat cushion	<a href="#">147TA3386</a>	<a href="#">140TA8275</a>	
Backrest cushion	<a href="#">145TA9025</a>	<a href="#">147TA3389</a>	
Headrest	<a href="#">147TA3382</a>	<a href="#">147TA3388</a>	
Armrest LH			<a href="#">147TA3390</a>
Armrest RH			<a href="#">147TA3391</a>
ELH RH seat belt (black)			<a href="#">147TA3383</a>

All dimensions in mm.

## ISRI 6500/517



**ISRI**®  
ISRINGHAUSEN

- Air suspension
- Universal construction seat
- Weight adjustment: 50–130 kg

### COMPLETE SEATS

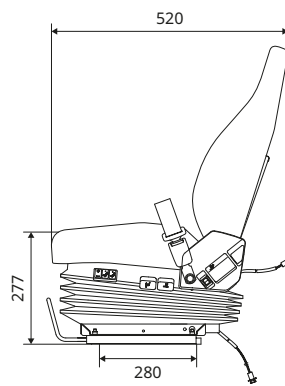
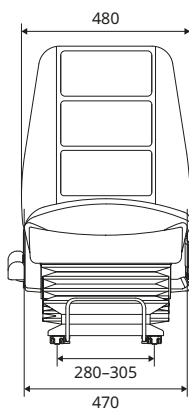
	REF PVC	REF Fabric
Seat	<a href="#">147TA3392</a>	<a href="#">145TA9027</a>

### SPARE AND OPTIONAL PARTS

	REF PVC	REF Fabric	REF General
Seat cushion	<a href="#">147TA3386</a>	<a href="#">140TA8275</a>	
Backrest cushion	<a href="#">147TA3393</a>	<a href="#">147TA3394</a>	
Headrest	<a href="#">147TA3382</a>	<a href="#">147TA3388</a>	
Armrest LH			<a href="#">147TA3390</a>
Armrest RH			<a href="#">147TA3391</a>
ELR RH seat belt (black)			<a href="#">147TA3383</a>

All dimensions in mm.

## ISRI 6500KM/345



- Air suspended construction seat 24 V heated
- Weight adjustment: 50–130 kg
- Used on Volvo

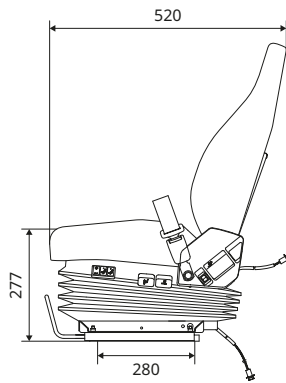
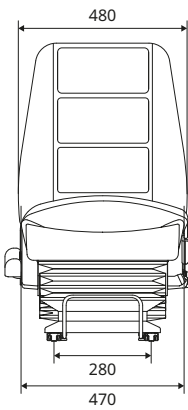
### COMPLETE SEATS

	REF PVC	REF Fabric
Seat heated (24 V) + seat belt	<a href="#">147TA3392</a>	<a href="#">145TA9028</a>

### SPARE AND OPTIONAL PARTS

	REF Fabric	REF General
Seat cushion heated	<a href="#">145TA9029</a>	
Backrest cushion heated	<a href="#">145TA9030</a>	
Armrest LH		<a href="#">147TA3384</a>
Armrest RH		<a href="#">147TA3385</a>
ALR seat belt (black)		<a href="#">145TA9031</a>

## ISRI 6500KM/348



**ISRI**<sup>®</sup>  
ISRINGHAUSEN

- 24 V air suspended construction seat heated
- Weight adjustment: 50–130 kg
- Used on Kalmar

### COMPLETE SEATS

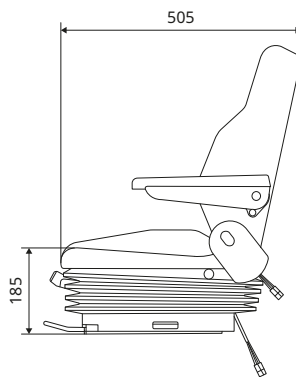
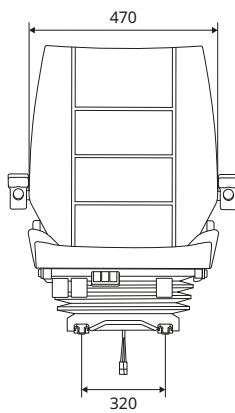
	REF PVC	REF Fabric
Seat heated (24 V) + seat belt + switch + document holder	Not available	<a href="#">145TA9032</a>

### SPARE AND OPTIONAL PARTS

	REF PVC	REF Fabric	REF General
Seat cushion	Not available	<a href="#">140TA8275</a>	
Headrest	Not available	<a href="#">147TA3388</a>	
Seat cushion heated (24 V)	Not available	<a href="#">147TA3395</a>	
Backrest cushion heated	Not available	<a href="#">147TA3396</a>	
Switch			On request
Armrest LH			<a href="#">147TA3384</a>
Armrest RH			<a href="#">147TA3385</a>
Document holder			On request
ELR RH seat belt (black)			<a href="#">147TA3383</a>

All dimensions in mm.

## ISRI 6500KM/575



- Air suspended construction seat 24 V
- Weight adjustment: 50–130 kg
- Used on Linde

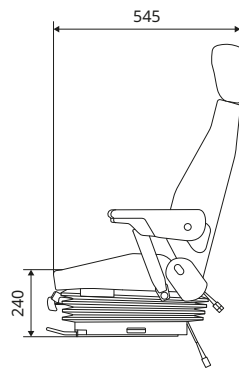
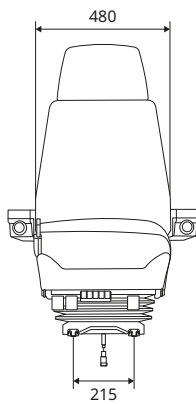
### COMPLETE SEATS

	REF Fabric
Seat (24 V)	<a href="#">145TA9033</a>

### SPARE AND OPTIONAL PARTS

	REF PVC	REF Fabric	REF General
Backrest cushion	<a href="#">145TA9025</a>	<a href="#">145TA9024</a>	
Headrest	<a href="#">147TA3382</a>	<a href="#">147TA3388</a>	
Armrest LH			<a href="#">147TA3390</a>
Armrest RH			<a href="#">147TA3391</a>
ELR RH seat belt (black)			<a href="#">147TA3383</a>

## ISRI 6500KM/577



**ISRI**<sup>®</sup>  
ISRINGHAUSEN

- Air suspended construction seat 24 V
- Weight adjustment: 50–130 kg
- Used on Volvo

### COMPLETE SEATS

	REF Fabric
Seat (24 V) + switch + document holder	<a href="#">139TA6078</a>

### SPARE AND OPTIONAL PARTS

	REF PVC	REF Fabric	REF General
Seat cushion	<a href="#">147TA3386</a>	<a href="#">140TA8275</a>	
Backrest cushion	<a href="#">145TA9025</a>	<a href="#">147TA3389</a>	
Headrest	<a href="#">147TA3382</a>	<a href="#">147TA3388</a>	
Switch			On request
Armrest LH			<a href="#">147TA3390</a>
Armrest RH			<a href="#">147TA3391</a>
ELR RH seat belt (black)			<a href="#">147TA3383</a>

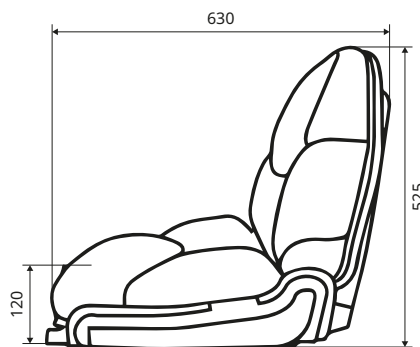
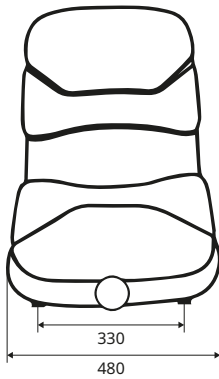
All dimensions in mm.



A close-up photograph of a person's hand resting on a black car steering wheel. The hand is positioned at the top of the wheel, and the fingers are visible. The background is a plain, light color.

# 05. **SEARS SEATING**

### 1200 SERIES



- Mechanical suspended seat
- Weight adjustment: 30–130 kg
- Used on Hyster/Yale

#### COMPLETE SEATS

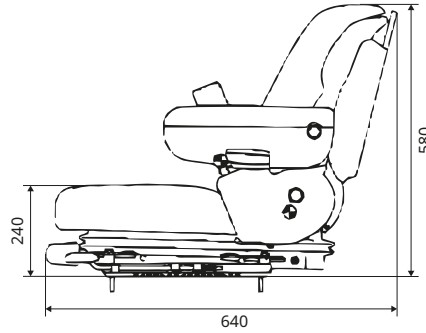
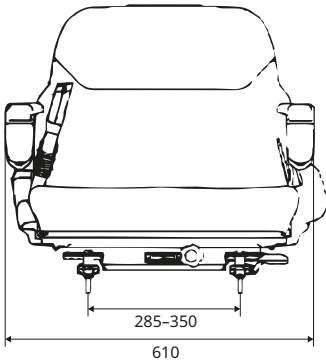
	REF PVC	REF Fabric
Seat	<a href="#">111TA6588</a>	
Seat + switch	<a href="#">111TA6590</a>	
Seat + switch + armrests	<a href="#">150TA9830</a>	<a href="#">126TA6045</a>
Seat + switch + armrests + seat belt	<a href="#">111TA6593</a>	
Seat + switch + seat belt	<a href="#">147TA3014</a>	

#### SPARE AND OPTIONAL PARTS

	REF PVC	REF Fabric	REF General
Seat cushion without brackets, without mouting parts, without rod	<a href="#">111TA6594</a>	<a href="#">111TA6595</a>	
Seat cushion with bracket and mounting parts without rod	<a href="#">128TA4186</a>	<a href="#">147TA3016</a>	
Backrest cushion	<a href="#">111TA6596</a>	<a href="#">111TA6597</a>	
Slide rails			<a href="#">166TA8782</a>
Switch			<a href="#">111TA6598</a>
Armrest kit			<a href="#">126TA6046</a>
Document holder			<a href="#">128TA4184</a>
ALR seat belt (black)			<a href="#">106TA5149</a>

All dimensions in mm.

## 1500 SERIES



- Mechanical suspended seat
- Weight adjustment: 30–130 kg
- Used on Hyster/Yale

### COMPLETE SEATS

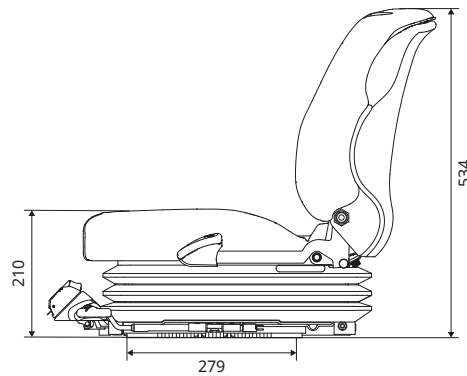
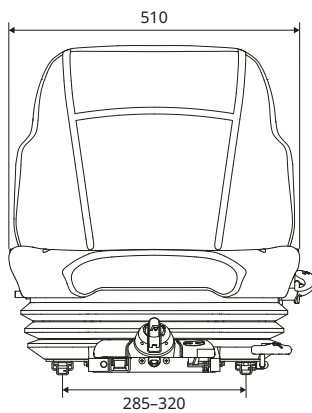
	REF PVC	REF Fabric
Seat + switch	<a href="#">147TA5006</a>	
Seat + switch + armrest + document holder + seat belt	<a href="#">125TA6317</a>	<a href="#">125TA6318</a>

### SPARE AND OPTIONAL PARTS

	REF PVC	REF Fabric	REF General
Seat cushion	<a href="#">144TA3678</a>	<a href="#">144TA3679</a>	
Seat cushion + switch	<a href="#">125TA6319</a>	<a href="#">125TA6320</a>	
Backrest cushion	<a href="#">125TA6321</a>	<a href="#">125TA6322</a>	
Slide rails: 305 mm			<a href="#">125TA6326</a>
Switch			<a href="#">125TA6323</a>
Armrest kit			<a href="#">126TA6052</a>
Document holder			<a href="#">166TA6010</a>
ALR seat belt (black)			<a href="#">106TA5149</a>

All dimensions in mm.

### 1700 SERIES



- Mechanical suspended seat
- Weight adjustment: 30–130 kg
- Used on Hyster/Yale

#### COMPLETE SEATS

	REF PVC	REF Fabric
Seat + switch	<a href="#">147TA5002</a>	
Seat + switch + document holder	<a href="#">147TA3017</a>	<a href="#">147TA3020</a>

#### SPARE AND OPTIONAL PARTS

	REF PVC	REF Fabric	REF General
Seat cushion + sensor (5 V)	<a href="#">147TA3018</a>	<a href="#">145TA8891</a>	
Backrest cushion	<a href="#">147TA3019</a>	<a href="#">147TA3021</a>	
Slide rails: 318 mm			<a href="#">147TA3022</a>
Switch (5 V)			<a href="#">140TA1737</a>
Armrest LH			<a href="#">147TA3024</a>
Armrest RH			<a href="#">147TA3023</a>
Document holder			On request
ALR seat belt (black)			<a href="#">108TA4228</a>

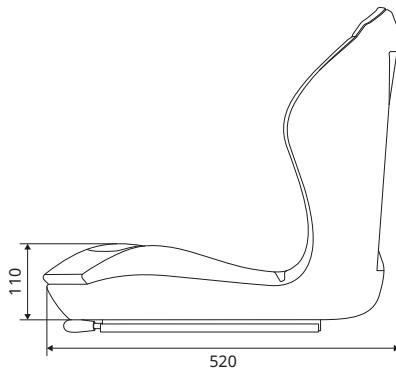
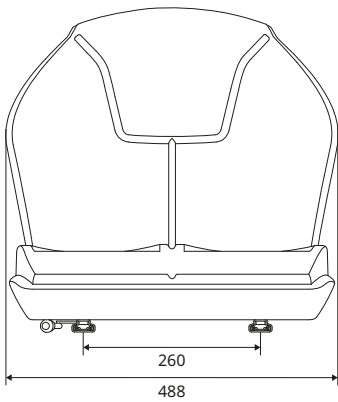
All dimensions in mm.





06.  
**COBO GROUP**

### PS48



- Universal seat pan with slide rails

#### COMPLETE SEATS

REF  
PVC  
[125TA6328](#)

Seat pan + switch

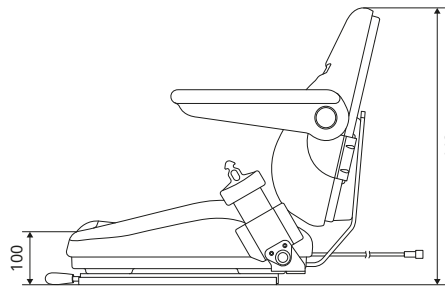
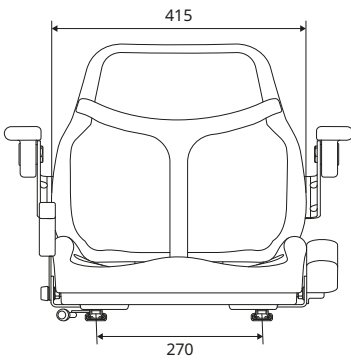
#### SPARE AND OPTIONAL PARTS

Slide rails: 320 mm

Switch

REF  
General  
[145TA2750](#)  
[110TA9013](#)

**GT62**



- Universal seat pan with slide rails
- With drain hole
- Used on Hyster/Yale

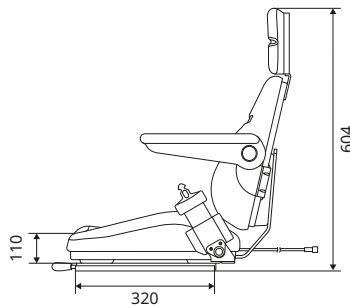
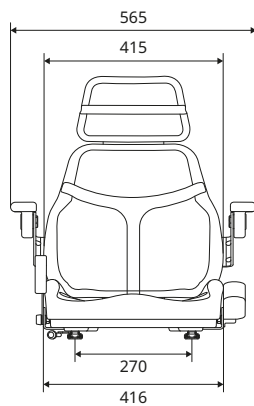
**COMPLETE SEATS**

	REF
Seat pan	PVC <a href="#">145TA2751</a>

**SPARE AND OPTIONAL PARTS**

	REF
Slide rails: 320 mm	General <a href="#">145TA2750</a>

### SC76



- Universal non-suspended seat top with headrest, armrests, switch (OPS) and seat belt
- Used on OMG

#### COMPLETE SEATS

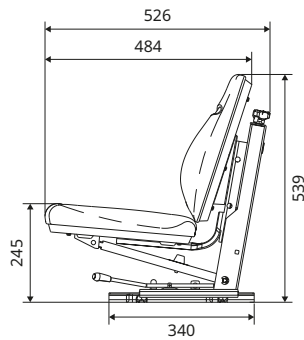
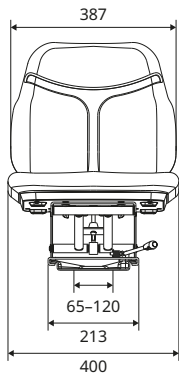
	REF PVC	REF Fabric
Seat + switch + seat belt	<a href="#">145TA2758</a>	On request

#### SPARE AND OPTIONAL PARTS

	REF PVC	REF Fabric	REF General
Seat cushion + switch	<a href="#">145TA9272</a>	On request	
Backrest cushion	<a href="#">145TA9273</a>	On request	
Headrest	<a href="#">145TA9278</a>	On request	
Armrest LH			<a href="#">145TA9276</a>
Armrest RH			<a href="#">145TA9277</a>
ELR LH seat belt (black)			<a href="#">145TA9275</a>

All dimensions in mm.

## SC74/M20



- Universal forklift seat
- Mechanical suspension
- Weight adjustment: 50-120 kg

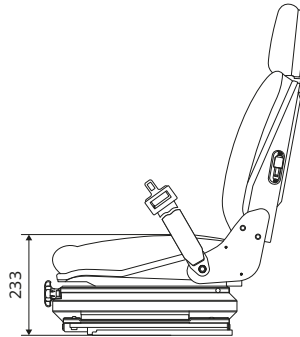
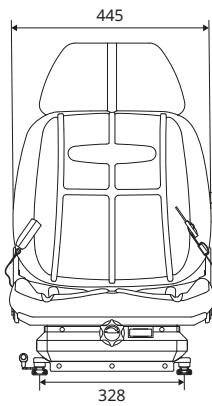
### COMPLETE SEATS

	REF
Seat	<a href="#">144TA3654</a>
Seat + switch	<a href="#">145TA2826</a>

### SPARE AND OPTIONAL PARTS

	REF
Seat cushion	<a href="#">144TA3655</a>
Seat cushion + switch	<a href="#">166TA7979</a>
Backrest cushion	<a href="#">166TA6017</a>

### SC47/M99



- Universal forklift seat with static seat belt and headrest
- Mechanical suspension
- Weight adjustment: 50-120 kg
- Used on Ausa

#### COMPLETE SEATS

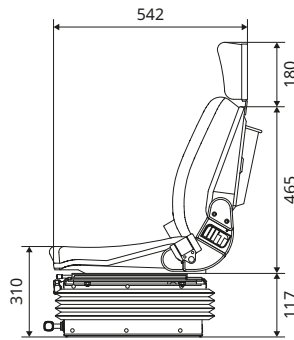
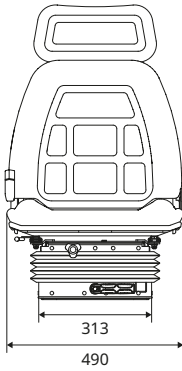
	REF PVC
Seat + seat belt	<a href="#">145TA2837</a>

#### SPARE AND OPTIONAL PARTS

	REF PVC	REF General
Seat cushion	<a href="#">145TA9367</a>	
Backrest cushion	<a href="#">145TA9368</a>	
Headrest	<a href="#">145TA9370</a>	
Static seat belt		<a href="#">145TA9369</a>

All dimensions in mm.

## SC90/M97



- Mechanical suspended seat with seat belt
- Weight adjustment: 50–130 kg
- Used on Merlo

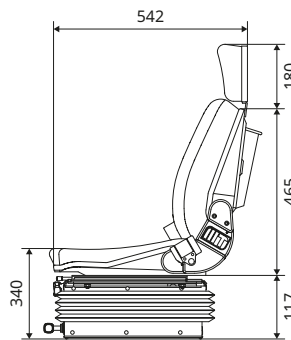
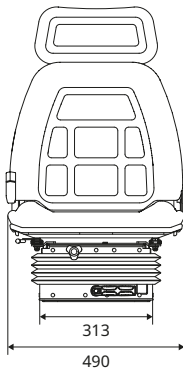
### COMPLETE SEATS

	REF Fabric
Seat + document holder	<a href="#">145TA2841</a>

### SPARE AND OPTIONAL PARTS

	REF Fabric	REF General
Seat cushion	<a href="#">145TA9371</a>	
Backrest cushion	<a href="#">145TA9372</a>	
Headrest	<a href="#">145TA9375</a>	
Document holder		On request
ALR seat belt (black)		<a href="#">106TA5147</a>

### SC90/M293



- Mechanical suspended seat with seat belt
- Weight adjustment: 50–120 kg
- Used on JLG

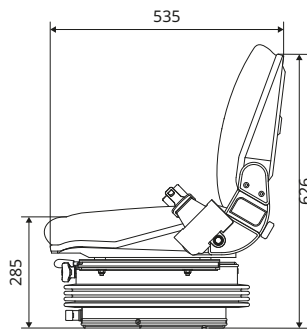
#### COMPLETE SEATS

	REF
Seat + seat belt	PVC <a href="#">145TA2847</a>

#### SPARE AND OPTIONAL PARTS

	REF	REF
Seat cushion	PVC <a href="#">145TA9376</a>	General
Backrest cushion	<a href="#">145TA9377</a>	
Headrest	<a href="#">165TA9647</a>	
ELR LH seat belt (black)		<a href="#">145TA9275</a>

## SC95/M91



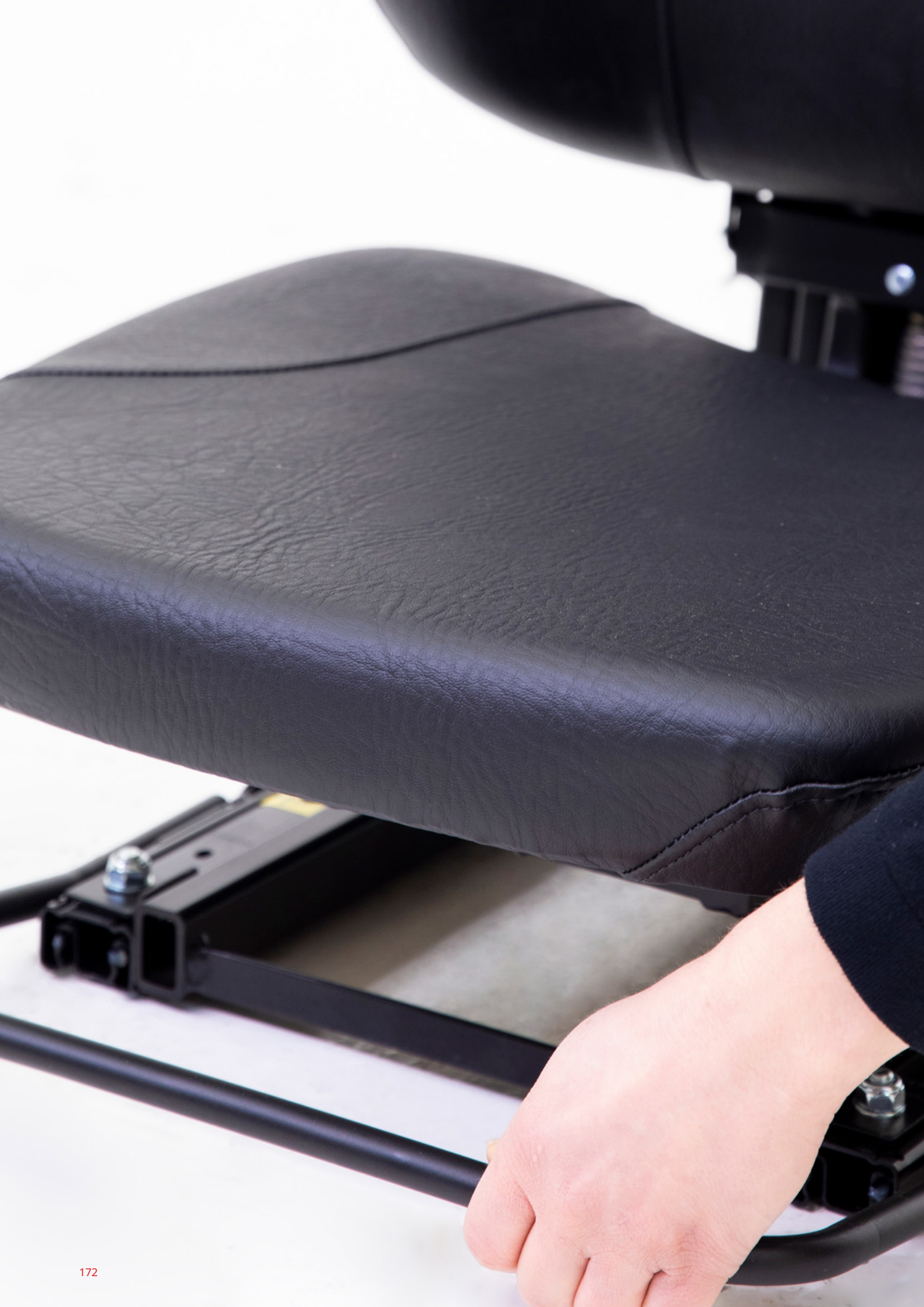
- Mechanical suspended seat with seat belt
- Weight adjustment: 50–120 kg
- Used on Genie/Terex

### COMPLETE SEATS

	REF PVC
Seat + seat belt	<a href="#">145TA9378</a>

### SPARE AND OPTIONAL PARTS

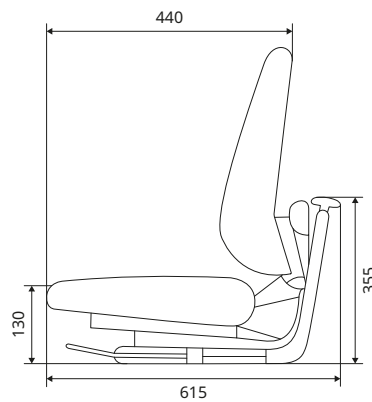
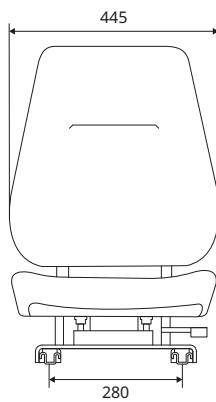
	REF PVC	REF General
Seat cushion	<a href="#">145TA9382</a>	
Backrest cushion	<a href="#">145TA9383</a>	
ALR seat belt (black)		<a href="#">106TA5147</a>





**07.**  
**BE-GE**

### BE-GE 80-16



**BE-GE**

- Small forklift seat with switch and headrest
- Mechanical suspension
- Weight adjustment: 60-130 kg
- Used on BT

#### COMPLETE SEATS

	REF PVC	REF Fabric
Seat + switch	<a href="#">147TA4103</a>	<a href="#">136TA1183</a>

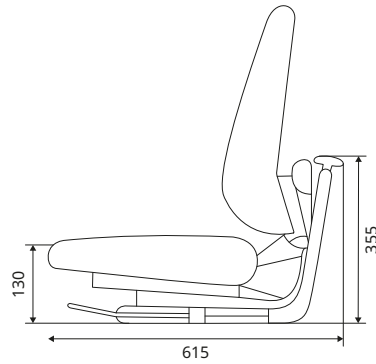
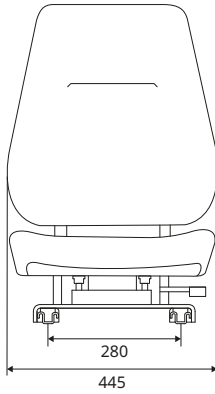
#### SPARE AND OPTIONAL PARTS

	REF PVC	REF Fabric	REF General
Seat cushion	<a href="#">147TA4377</a>	<a href="#">147TA4318</a>	
Backrest cushion	<a href="#">147TA4317</a>	<a href="#">147TA4378</a>	
Headrest	<a href="#">147TA4379</a>	<a href="#">147TA4320</a>	
Switch			<a href="#">145TA9974</a>

**BE-GE 80-17 (SEAT BACK TILTABLE 15 DEGREES)**



**BE-GE**



- Small forklift seat with switch, headrest, tiltable 15 degrees back and LH controls
- Mechanical suspension
- Weight adjustment: 60-130 kg
- Used on BT

**COMPLETE SEATS**

	REF PVC	REF Fabric
Seat + switch	<a href="#">166TA8783</a>	<a href="#">166TA8784</a>

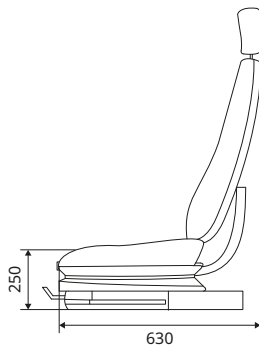
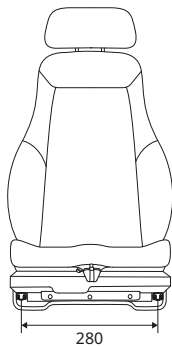
**SPARE AND OPTIONAL PARTS**

	REF PVC	REF Fabric	REF General
Seat cushion	<a href="#">147TA4382</a>	<a href="#">147TA4383</a>	
Backrest cushion	<a href="#">147TA4384</a>	<a href="#">147TA4386</a>	
Headrest	<a href="#">147TA4379</a>	<a href="#">147TA4320</a>	
Switch			<a href="#">145TA9974</a>

### BE-GE 80-18A HB (HIGH BACK)



**BE-GE**



- Small forklift seat with switch and headrest
- Mechanical suspension
- Weight adjustment: 60-130 kg
- Used on BT

#### COMPLETE SEATS

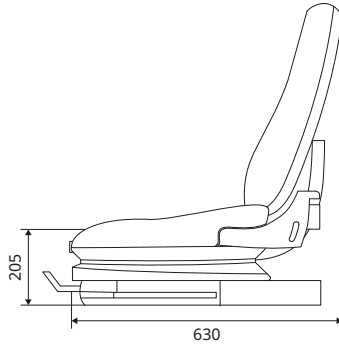
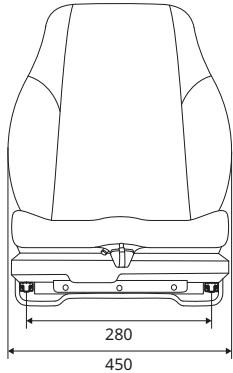
	REF PVC	REF Fabric
Seat + switch + seat belt (high back)	<a href="#">147TA4388</a>	
Seat + switch + armrests + seat belt		<a href="#">147TA4344</a>

#### SPARE AND OPTIONAL PARTS

	REF PVC	REF Fabric	REF General
Seat cushion without tilt	<a href="#">147TA4400</a>	<a href="#">147TA4321</a>	
Seat cushion with tilt	<a href="#">147TA4525</a>	<a href="#">147TA4526</a>	
Backrest cushion	<a href="#">147TA4535</a>	<a href="#">147TA4322</a>	
Headrest	<a href="#">147TA4542</a>	<a href="#">147TA5343</a>	
Switch (mechanical breaker)			<a href="#">147TA4325</a>
Switch (microswitch only)			<a href="#">110TA8981</a>
Armrest kit			<a href="#">147TA4556</a>
Armrest kit (support kit only)			<a href="#">147TA4328</a>
ALR seat belt (black)			<a href="#">165TA2906</a>

All dimensions in mm.

## BE-GE 80-18A LB (LOW BACK)



**BE-GE**

- Small forklift seat with switch and headrest
- Mechanical suspension
- Weight adjustment: 60-130 kg
- Used on BT

### COMPLETE SEATS

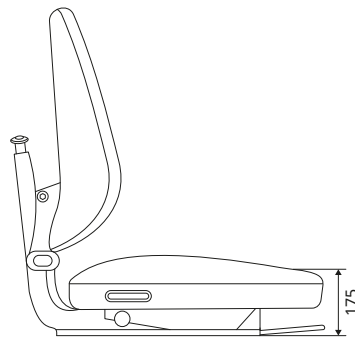
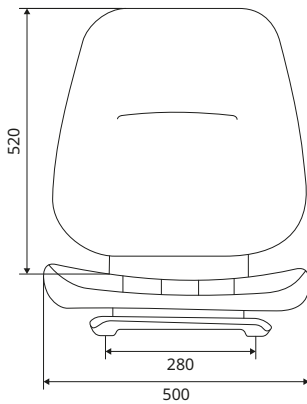
	REF Fabric
Seat + switch (low back)	<a href="#">147TA4390</a>

### SPARE AND OPTIONAL PARTS

	REF PVC	REF Fabric	REF General
Seat cushion without tilt		<a href="#">147TA4321</a>	
Seat cushion with tilt	<a href="#">147TA4525</a>	<a href="#">147TA4526</a>	
Seat cushion	<a href="#">150TA9665</a>		
Headrest	<a href="#">147TA4400</a>	<a href="#">147TA4536</a>	
Switch (Mechanical breaker)			<a href="#">147TA4325</a>
Switch (microswitch only)			<a href="#">110TA8981</a>
Armrest kit			<a href="#">147TA4556</a>
Armrest kit (support kit only)			<a href="#">147TA4328</a>
ALR seat belt (black)			<a href="#">144TA8794</a>

All dimensions in mm.

### BE-GE 81-16 WIDE CUSHIONS



**BE-GE**

- Universal forklift seat with switch and prepared for headrest
- Mechanical suspension
- Weight adjustment: 60-130 kg

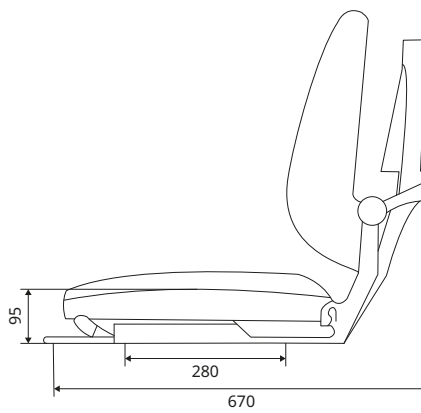
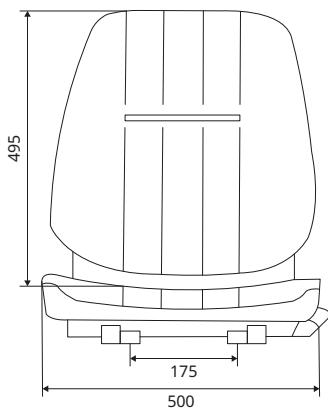
#### COMPLETE SEATS

	REF PVC	REF Fabric
Seat + switch	<a href="#">147TA4392</a>	<a href="#">147TA4394</a>

#### SPARE AND OPTIONAL PARTS

	REF PVC	REF Fabric	REF General
Seat cushion	<a href="#">147TA4519</a>	<a href="#">147TA4522</a>	
Backrest cushion	<a href="#">147TA4527</a>	<a href="#">147TA4537</a>	
Headrest	<a href="#">147TA4544</a>	<a href="#">147TA4545</a>	
Armrest kit			<a href="#">165TA9648</a>
Switch			<a href="#">145TA9974</a>
Armrest kit			<a href="#">147TA4549</a>
ALR seat belt (blue)			<a href="#">147TA4329</a>

## BE-GE 81-36 WIDE CUSHIONS



**BE-GE**

- Universal forklift seat with switch
- Mechanical suspension
- Weight adjustment: 50-150 kg

### COMPLETE SEATS

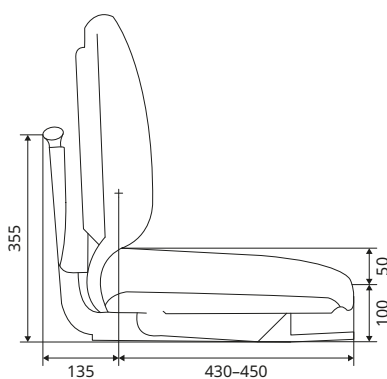
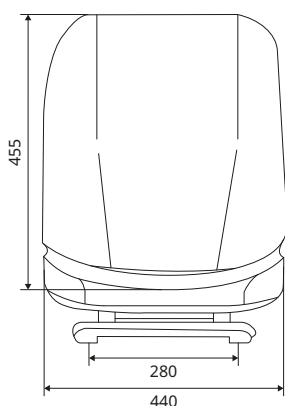
	REF PVC	REF Fabric
Seat + switch	Not available	Not available

### SPARE AND OPTIONAL PARTS

	REF PVC	REF Fabric	REF General
Seat cushion RH	<a href="#">147TA4520</a>	<a href="#">147TA4523</a>	
Backrest cushion	<a href="#">147TA4538</a>	<a href="#">147TA4539</a>	
Switch			<a href="#">110TA8981</a> <a href="#">147TA4549</a>

All dimensions in mm.

### BE-GE 84-16 NARROW CUSHIONS



**BE-GE**

- Small forklift seat with switch
- Mechanical suspension
- Weight adjustment: 50-150 kg

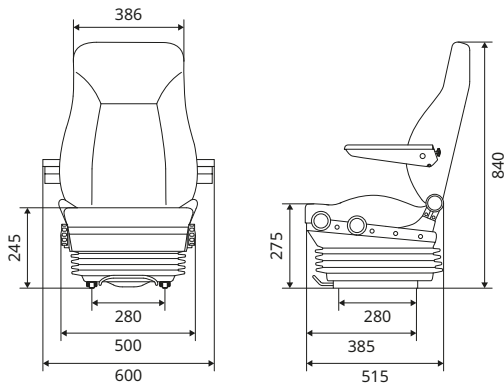
#### COMPLETE SEATS

	REF PVC	REF Fabric
Seat + switch	<a href="#">147TA4393</a>	<a href="#">147TA4395</a>

#### SPARE AND OPTIONAL PARTS

	REF PVC	REF Fabric	REF General
Seat cushion	<a href="#">147TA4521</a>	<a href="#">147TA4524</a>	
Backrest cushion	<a href="#">147TA4540</a>	<a href="#">147TA4541</a>	
Slide rails			<a href="#">165TA9648</a>
Switch			<a href="#">145TA9974</a>
ALR seat belt (blue)			<a href="#">147TA4329</a>

## BE-GE 92-00



**BE-GE**

- Universal forklift construction seat
- Seat back height: 640 mm
- Mechanical suspension
- Weight adjustment: 50–150 kg
- Used on Kalmar

### COMPLETE SEATS

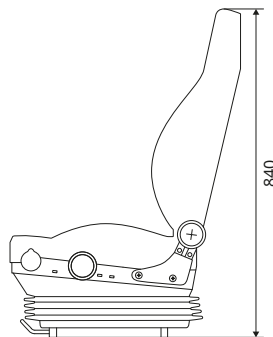
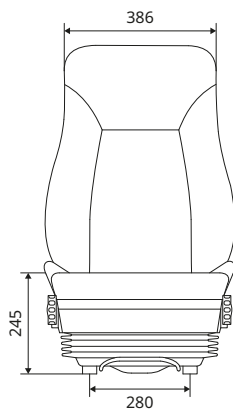
	REF PVC	REF Fabric
Seat	<a href="#">147TA4352</a>	<a href="#">147TA4353</a>
Seat + headrest + armrest + seat belt		<a href="#">147TA4399</a>
Seat + switch + armrest + buzzer		<a href="#">147TA4398</a>
Seat + armrest		<a href="#">139TA6057</a>
Seat + 3-point seat belt LR	<a href="#">147TA4396</a>	<a href="#">147TA4397</a>

### SPARE AND OPTIONAL PARTS

	REF PVC	REF Fabric	REF General
Seat cushion foam with contact plate			<a href="#">147TA4333</a>
Seat cover kit	<a href="#">147TA4330</a>	<a href="#">144TA3691</a>	
Mounting set for seat cushion	<a href="#">166TA6011</a>		
Backrest cushion	<a href="#">147TA4334</a>	<a href="#">144TA3692</a>	
Headrest	<a href="#">147TA4557</a>	<a href="#">147TA4335</a>	
Slide rails kit: 315 mm			<a href="#">147TA4339</a>
Switch			<a href="#">147TA4338</a>
Armrest kit			<a href="#">147TA4359</a>
3-point ELR LH seat belt (grey)			<a href="#">139TA6068</a>
4-point seat belt			<a href="#">147TA4337</a>
ALR seat belt (black)			<a href="#">147TA4336</a>
Seat belt mounting kit			<a href="#">147TA4563</a>

All dimensions in mm.

### BE-GE 91-00



**BE-GE**

- Universal forklift construction seat
- Air suspension
- Weight adjustment: 50–150 kg
- Used on Kalmar

#### COMPLETE SEATS

	REF PVC	REF Fabric
Seat	<a href="#">147TA4615</a>	
Seat + with rail set		<a href="#">147TA4361</a>
Seat + headrest + armrest		<a href="#">147TA4616</a>
Seat (12 V)		<a href="#">147TA4617</a>
Seat (24 V)		<a href="#">147TA4362</a>

#### SPARE AND OPTIONAL PARTS

	REF PVC	REF Fabric	REF General
Seat cushion cover + seat foam without contact plate		<a href="#">147TA4332</a>	
Seat cushion foam with contact plate	<a href="#">147TA4333</a>	<a href="#">147TA4333</a>	
Seat cover kit	<a href="#">147TA4330</a>	<a href="#">144TA3691</a>	
Backrest cushion	<a href="#">147TA4334</a>	<a href="#">144TA3692</a>	
Headrest		<a href="#">147TA4335</a>	
Headrest 2-way	<a href="#">147TA4557</a>		
Slide rails: 315 mm			<a href="#">147TA4339</a>
Switch			<a href="#">147TA4338</a>
Armrest kit			<a href="#">147TA4359</a>
3-point ELR LH seat belt (grey)			<a href="#">139TA6068</a>
4-point seat belt			<a href="#">147TA4337</a>
ALR seat belt (black)			<a href="#">147TA4336</a>
Seat belt mounting kit			<a href="#">147TA4563</a>
Compressor kit (12 V)			<a href="#">165TA9650</a>
Compressor kit (24 V)			<a href="#">139TA6070</a>
Protection cover backrest on cloth with PVC sidewings	<a href="#">147TA4562</a>		

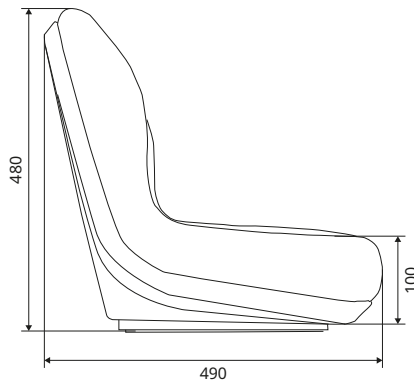
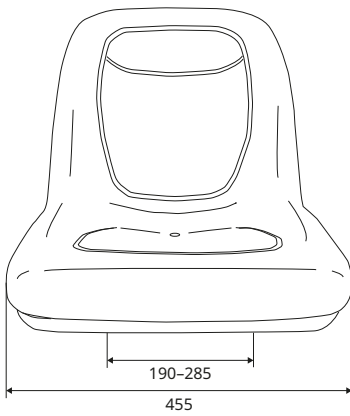
All dimensions in mm.





08.  
**MILSCO**

## XB180



- Universal seat pan
- Used on tail mounted trucks and cleaning machines (JCB/Moffet)
- With drain hole

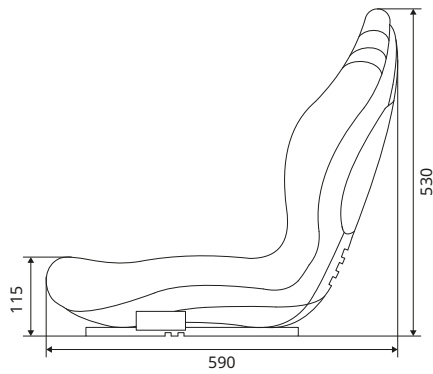
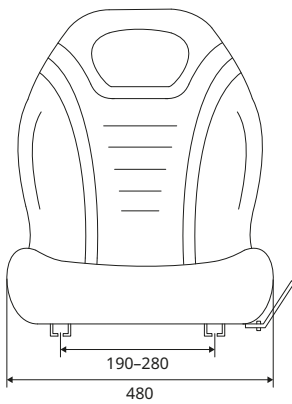
### COMPLETE SEATS

	REF PVC	REF Fabric
Seat	<a href="#">135TA2792</a>	Not available
Seat (yellow)	<a href="#">144TA3666</a>	Not available
Seat (with rail set)	<a href="#">136TA8305</a>	Not available

### SPARE AND OPTIONAL PARTS

	REF General
Slide rails: 305 mm	<a href="#">110TA8751</a>
Switch	<a href="#">139TA7214</a>

## XB200



- Universal seat pan
- Used on tail mounted trucks and cleaning machines (JCB/Doosan)
- With drain hole

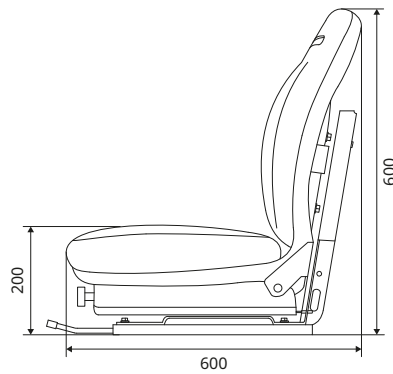
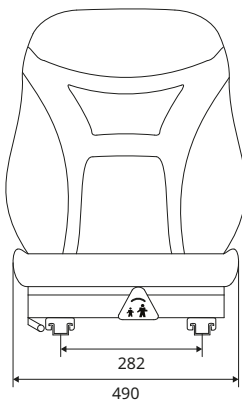
### COMPLETE SEATS

	REF PVC	REF Fabric
Seat	<a href="#">139TA6025</a>	Not available
Seat + seat belt	<a href="#">144TA5387</a>	Not available

### SPARE AND OPTIONAL PARTS

	REF General
Slide rails: 319 mm	<a href="#">144TA5386</a>
Switch	<a href="#">139TA7214</a>
Static seat belt	<a href="#">105TA4859</a>

## CR100/M60



- Universal forklift seat
- Mechanical suspension
- Weight adjustment: 50-130 kg
- Used on JCB

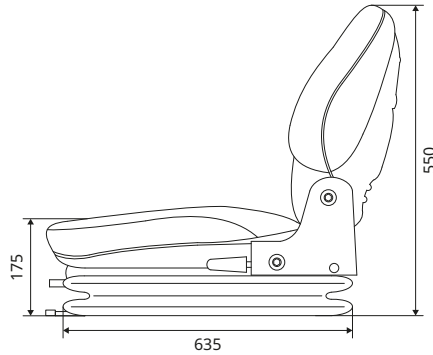
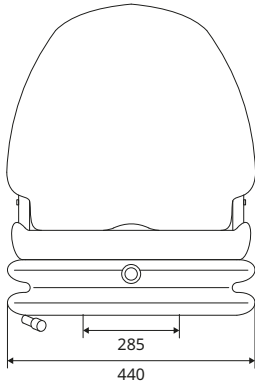
### COMPLETE SEATS

	REF PVC	REF Fabric
Seat pan	<a href="#">165TA9698</a>	
Seat	<a href="#">166TA6018</a>	
Seat + document holder		<a href="#">147TA3008</a>

### SPARE AND OPTIONAL PARTS

	REF General
Switch	<a href="#">166TA6019</a>
Document holder	On request

## CE200/M60



- Universal forklift seat
- Mechanical suspension
- Weight adjustment: 50-120 kg

### COMPLETE SEATS

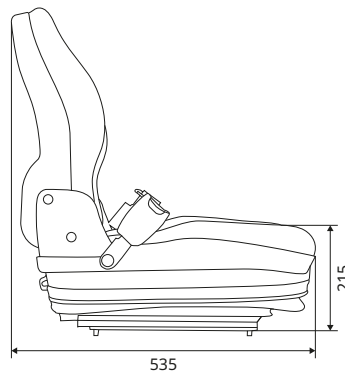
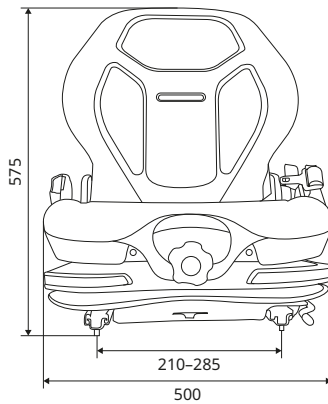
	REF PVC
Seat + switch + document holder	<a href="#">166TA6020</a>
Seat + document holder	<a href="#">166TA6020</a>

### SPARE AND OPTIONAL PARTS

	REF PVC	REF General
Seat cushion	<a href="#">147TA3010</a>	
Backrest cushion	<a href="#">147TA3011</a>	
Slide rails		<a href="#">147TA3012</a>
Switch		<a href="#">166TA6012</a>
Armrest kit		<a href="#">147TA3013</a>
Document holder		On request
ALR seat belt (black)		<a href="#">106TA5147</a>

All dimensions in mm.

## VERSA COMPACT



- Universal forklift seat
- Mechanical suspension
- Weight adjustment: 50-120 kg
- Used on Nissan

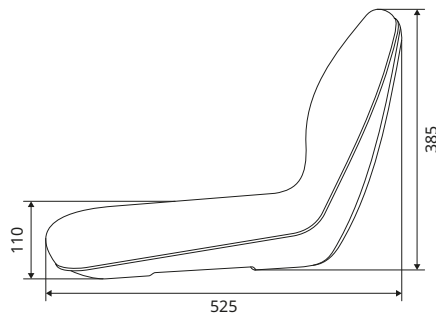
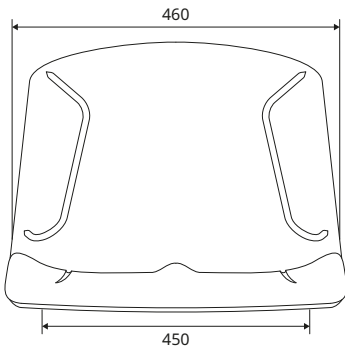
### COMPLETE SEATS

	REF PVC
Seat	<a href="#">166TA6022</a>
Seat + switch + armrests + seat belt	<a href="#">145TA2800</a>

### SPARE AND OPTIONAL PARTS

	REF PVC	REF General
Seat cushion	<a href="#">166TA8190</a>	
Backrest cushion	<a href="#">166TA8191</a>	
Slide rails		<a href="#">166TA8192</a>
Switch		On request
Armrest		On request
Seat belt		On request

## V-2505



- Universal seat pan
- With drain hole
- Used on truck-mounted forklifts and cleaning machines
- Used on Tennant

### COMPLETE SEATS

	REF PVC	REF Fabric
Metal seat pan	<a href="#">140TA6690</a>	Not available
Plastic seat pan	<a href="#">140TA6689</a>	Not available

### SPARE AND OPTIONAL PARTS

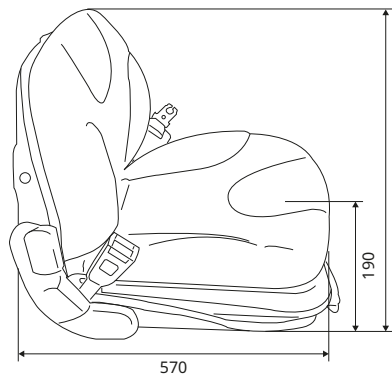
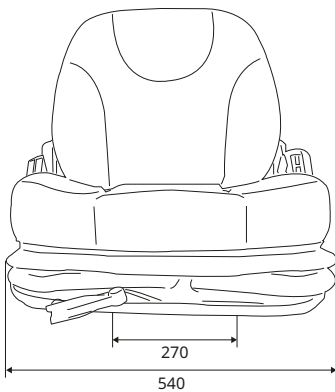
	REF General
Slide rails: 318 mm	<a href="#">144TA5386</a>
Switch	<a href="#">139TA7321</a>





09.  
**SEAT  
INDUSTRIES**

### LS20/2



- Universal forklift seat with seat belt, switch (OPS) and slide rails
- Mechanical suspension
- Weight adjustment: 50–120 kg

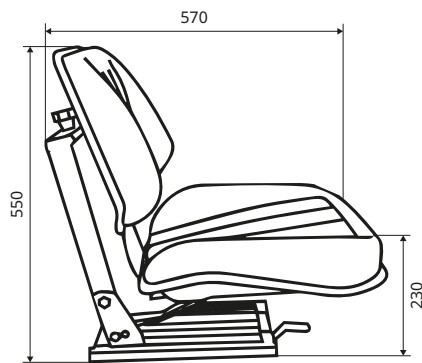
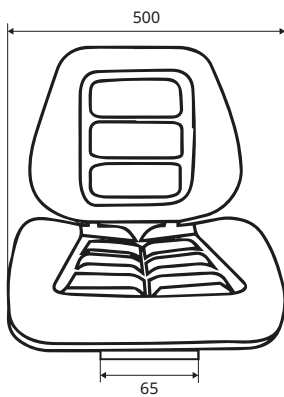
#### COMPLETE SEATS

	REF PVC	REF Fabric
Seat + switch	<a href="#">123TA7618</a>	<a href="#">126TA6053</a>
Seat + switch + armrests + seat belt	<a href="#">126TA6054</a>	

#### SPARE AND OPTIONAL PARTS

	REF PVC	REF Fabric	REF General
Seat cushion + switch	<a href="#">123TA7674</a>	<a href="#">128TA4243</a>	
Backrest cushion	<a href="#">123TA7619</a>	<a href="#">128TA4244</a>	
Slide rails: 326 mm			<a href="#">141TA5230</a>
Switch			On request
Armrest LH			<a href="#">126TA6055</a>
ALR seat belt (black)			<a href="#">108TA8537</a>

## VARIO



- Universal forklift seat
- Mechanical suspension
- Weight adjustment: 50-120 kg

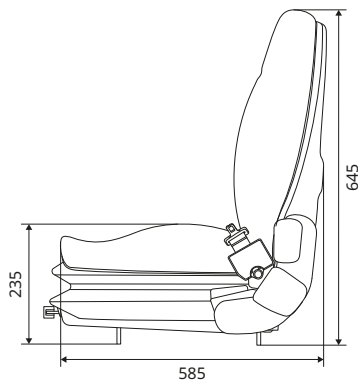
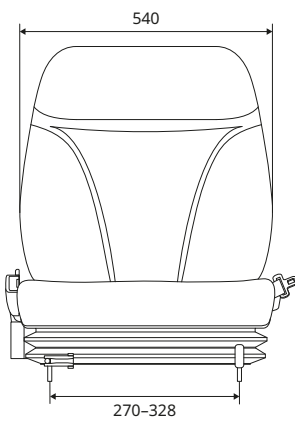
### COMPLETE SEATS

	REF PVC	REF Fabric
Seat	<a href="#">145TA2822</a>	Not available
Seat + switch	<a href="#">147TA5203</a>	Not available

### SPARE AND OPTIONAL PARTS

	REF PVC	REF Fabric	REF General
Seat cushion	<a href="#">145TA2823</a>	Not available	
Backrest cushion	<a href="#">145TA2824</a>	Not available	
Switch			<a href="#">106TA5151</a>

### TS213



- Universal forklift seat with seat belt, switch (OPS) and slide rails
- Mechanical suspension
- Weight adjustment: 50-120 kg

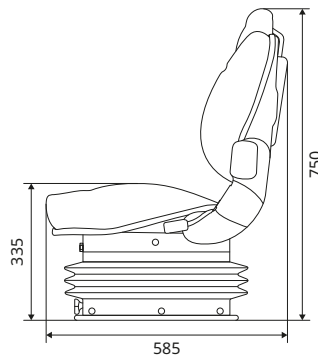
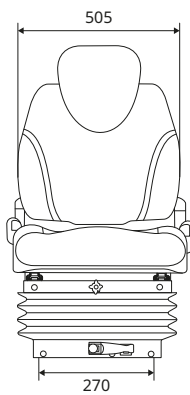
#### COMPLETE SEATS

	REF PVC	REF Fabric
Seat + switch + seat belt	<a href="#">145TA2838</a>	<a href="#">147TA3003</a>

#### SPARE AND OPTIONAL PARTS

	REF PVC	REF Fabric	REF General
Seat cushion	<a href="#">145TA2839</a>	<a href="#">147TA3004</a>	
Backrest cushion	<a href="#">145TA2840</a>	<a href="#">147TA3005</a>	
Slide rails: 326 mm			<a href="#">141TA5230</a>
Switch			On request
ELR LH seat belt (black)			<a href="#">125TA6316</a>

## TS710



- Mechanical suspended seat with switch (OPS), seat belt and document holder
- Weight adjustment: 50-120 kg
- Used on Merlo

### COMPLETE SEATS

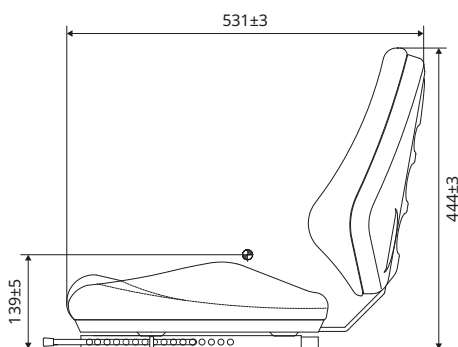
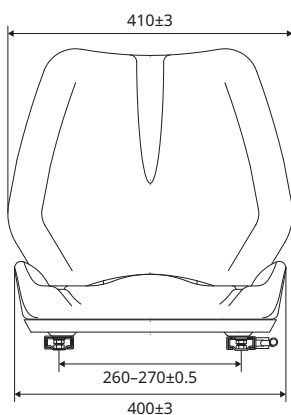
	REF PVC	REF Fabric
Seat	<a href="#">166TA8785</a>	<a href="#">145TA2843</a>
Seat + switch + document holder + seat belt	On request	<a href="#">145TA2844</a>

### SPARE AND OPTIONAL PARTS

	REF PVC	REF Fabric	REF General
Seat cushion		<a href="#">145TA2845</a>	
Seat cushion + switch	<a href="#">147TA3006</a>		
Backrest cushion		<a href="#">145TA2846</a>	
Slide rails: 325 mm			<a href="#">145TA2842</a>
Switch			<a href="#">141TA5234</a>
Document holder			On request
Static seat belt (black)			<a href="#">147TA3648</a>
ALR seat belt (black)			<a href="#">106TA5147</a>

All dimensions in mm.

### SML010



- Universal forklift seat
- Without suspension

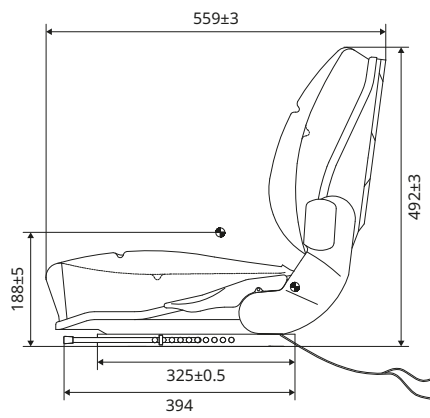
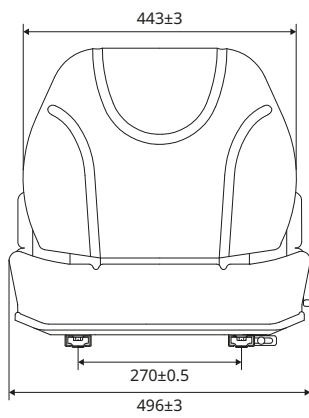
#### COMPLETE SEATS

	REF PVC
Seat	<a href="#">166TA7052</a>

#### SPARE AND OPTIONAL PARTS

	REF General
Switch	<a href="#">141TA5228</a>

## 951010RM



- Universal forklift seat
- Without suspension
- Weight adjustment: 50-120 kg

### COMPLETE SEATS

Seat

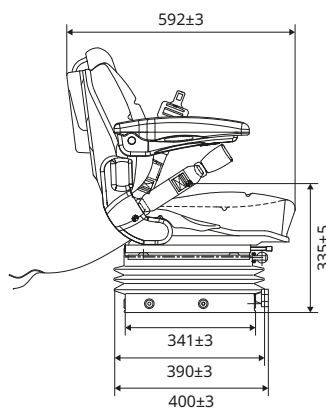
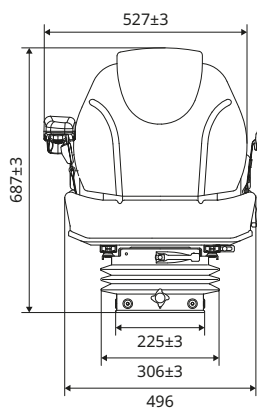
REF  
PVC  
[166TA7053](#)

### SPARE AND OPTIONAL PARTS

Static seat belt (black)

REF  
General  
[147TA3648](#)

### 9542566DMCBK



- Universal forklift seat
- Air suspension
- Weight adjustment: 50–130 kg

#### COMPLETE SEATS

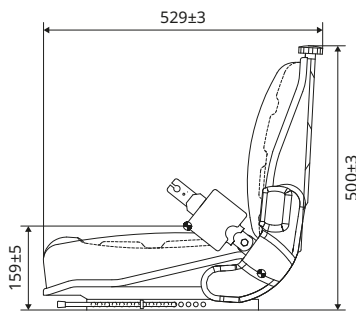
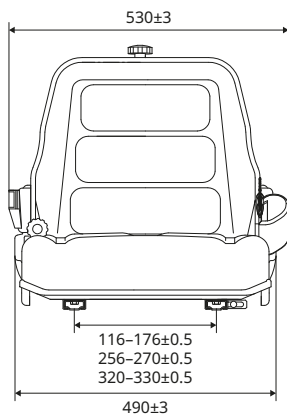
	REF Fabric
Seat + armrest (with suspension)	<a href="#">166TA7055</a>
Seat + armrest (without suspension)	<a href="#">166TA7063</a>
Seat + armrest + seat belt (with suspension)	<a href="#">166TA7057</a>
Seat + seat belt (with suspension)	<a href="#">166TA7060</a>

#### SPARE AND OPTIONAL PARTS

	REF Fabric	REF General
Seat cushion + switch	<a href="#">166TA7064</a>	
Backrest cushion	<a href="#">145TA2846</a>	
Headrest	<a href="#">166TA7065</a>	
Armrest RH	<a href="#">166TA7066</a>	
Seat belt		<a href="#">166TA7067</a>

All dimensions in mm.

## MUL013AN



- Universal forklift seat
- Mechanical suspension
- Weight adjustment: 50-120 kg

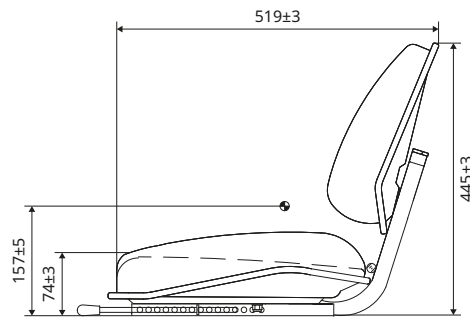
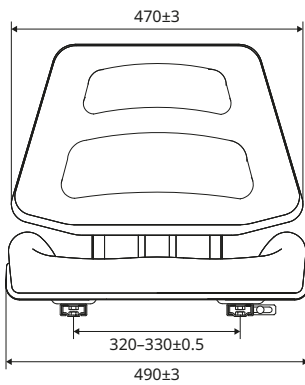
### COMPLETE SEATS

	REF
Seat pan + seat belt	PVC <a href="#">166TA7056</a>

### SPARE AND OPTIONAL PARTS

	REF
Seat belt	General On request

**900010**



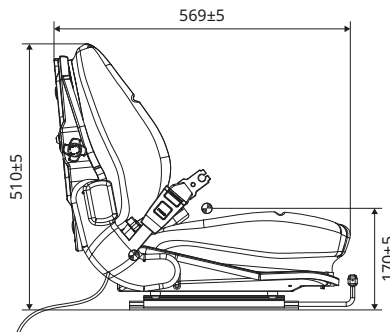
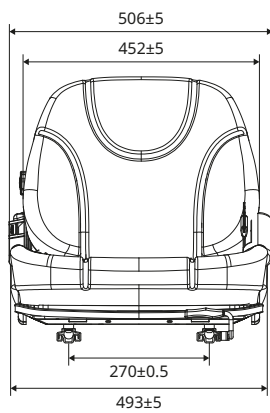
- Universal forklift seat
- Without suspension
- Weight adjustment: 50-120 kg

### COMPLETE SEATS

Seat

REF  
PVC  
[166TA7061](#)

## MUL020



- Universal forklift seat
- Mechanical suspension
- Weight adjustment: 50-120 kg
- Used on Manitou

### COMPLETE SEATS

Seat + seat belt

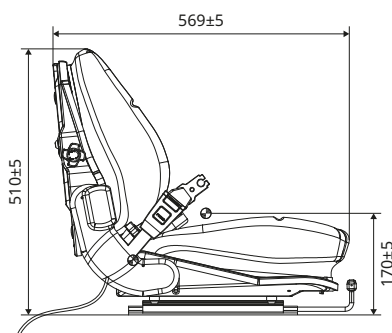
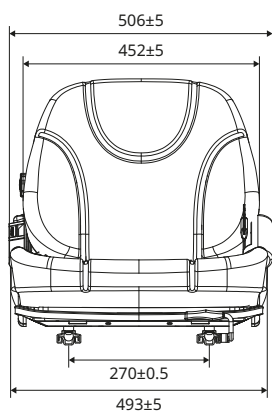
REF  
PVC  
[166TA8321](#)

### SPARE AND OPTIONAL PARTS

ALR seat belt (Black)

REF  
General  
[147TA4336](#)

### CNP559001113C



- Forklift seat
- Used on Manitou

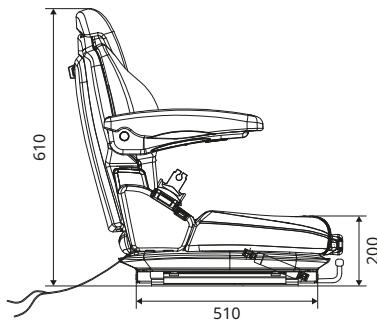
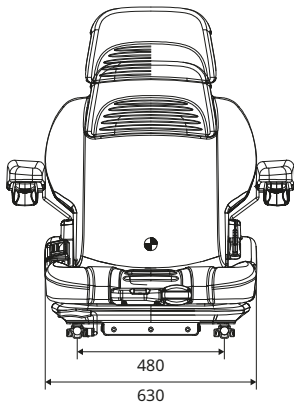
#### COMPLETE SEATS

	REF
Seat + document holder + seat belt	PVC <a href="#">166TA8322</a>

#### SPARE AND OPTIONAL PARTS

	REF
Document holder	General <a href="#">141TA5238</a>
Seat belt	On request

## KMD01129M



- Universal forklift seat
- Mechanical suspension
- Used on Doosan

### COMPLETE SEATS

	REF PVC
Seat + switch + armrests + document holder + seat belt	<a href="#">166TA8326</a>
Seat + switch + document holder + seat belt	<a href="#">166TA8428</a>
Seat + document holder + seat belt	<a href="#">166TA8323</a>

### SPARE AND OPTIONAL PARTS

	REF PVC	REF General
Seat cushion	<a href="#">166TA8328</a>	
Backrest cushion	<a href="#">166TA8329</a>	
Headrest	<a href="#">166TA8330</a>	
Slide rails		<a href="#">166TA8331</a>
Switch		<a href="#">166TA8332</a>
Armrest LH		<a href="#">166TA8333</a>
Armrest RH		<a href="#">166TA8427</a>

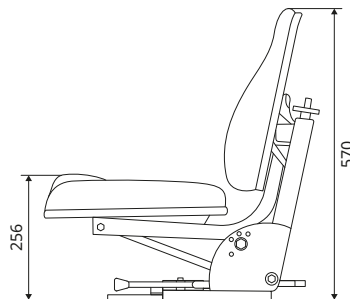
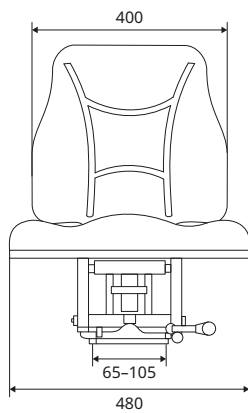
All dimensions in mm.





**10.**  
**MIRALBUENO**

### TS305



- Universal forklift seat
- Mechanical suspension
- Weight adjustment: 50-120 kg
- Used on Ausa

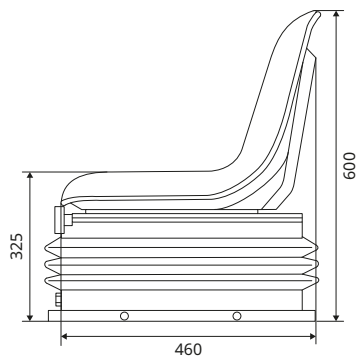
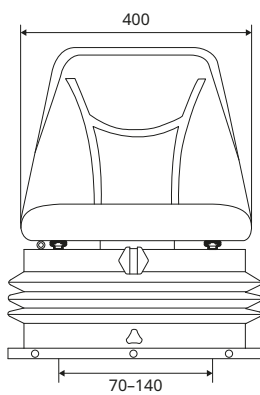
#### COMPLETE SEATS

	REF PVC	REF Fabric
Seat	<a href="#">142TA2171</a>	Not available

#### SPARE AND OPTIONAL PARTS

	REF PVC	REF Fabric	REF General
Seat cushion	<a href="#">145TA2827</a>	Not available	
Backrest cushion	<a href="#">145TA2828</a>	Not available	
Seat belt bracket			<a href="#">106TA5154</a>
MUR seat belt (black)			<a href="#">129TA8647</a>

## TS2460/ES200 (NARROW)

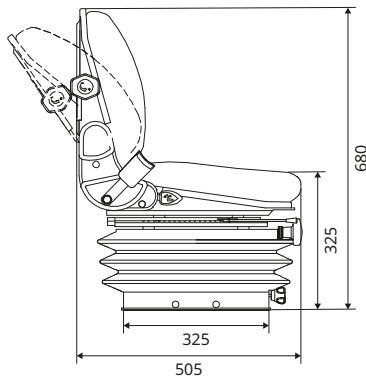
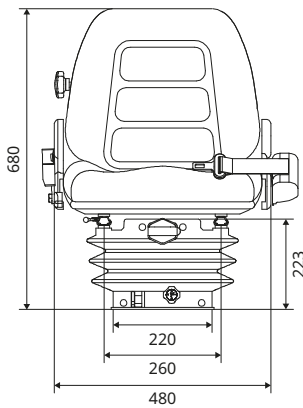


- Mechanical suspended seat with slide rails
- Weight adjustment: 60–120 kg
- Drain hole

### COMPLETE SEATS

	REF PVC	REF Fabric
Seat pan	<a href="#">144TA5422</a>	Not available
Seat pan + switch	<a href="#">150TA9833</a>	Not available
Seat	<a href="#">140TA2076</a>	Not available
Seat + switch	<a href="#">150TA9832</a>	Not available

## TS63/ES200



- Mechanical suspended seat with slide rails
- Weight adjustment: 60-120 kg

### COMPLETE SEATS

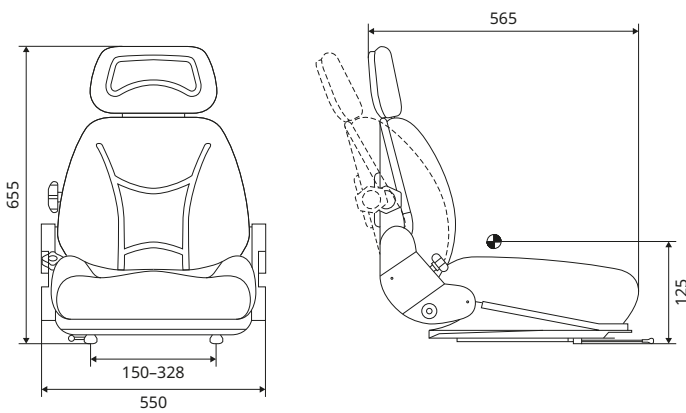
	REF PVC	REF Fabric
Seat	<a href="#">144TA3657</a>	<a href="#">147TA5205</a>
Seat + switch	<a href="#">144TA3659</a>	
Seat + switch + seat belt	<a href="#">144TA3660</a>	<a href="#">147TA5207</a>
Seat + seat belt	<a href="#">144TA3658</a>	<a href="#">147TA5206</a>

### SPARE AND OPTIONAL PARTS

	REF PVC	REF Fabric	REF General
Seat cushion	<a href="#">166TA8786</a>	<a href="#">147TA5208</a>	
Backrest cushion	<a href="#">144TA3662</a>	<a href="#">147TA5209</a>	
Headrest	<a href="#">144TA3665</a>		
Slide rails			<a href="#">144TA3663</a>
Switch			<a href="#">106TA5151</a>
Armrest LH			<a href="#">144TA3664</a>
ALR seat belt (black)			<a href="#">106TA5147</a>

All dimensions in mm.

## RM52



- Universal forklift seat
- Mechanical suspension
- Weight adjustment: 50-120 kg

### COMPLETE SEATS

	REF
Seat	<a href="#">142TA2172</a>

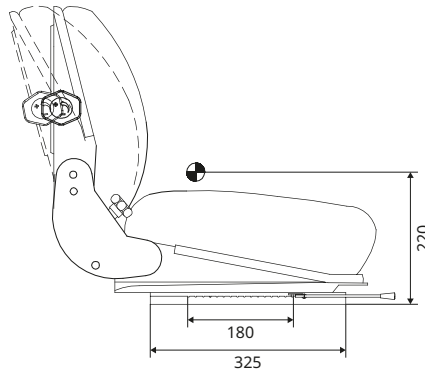
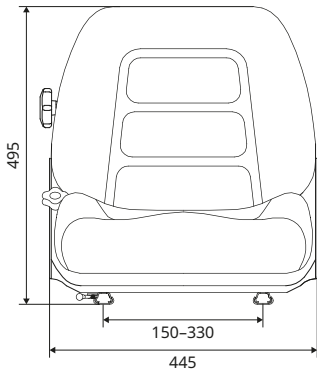
### SPARE AND OPTIONAL PARTS

	REF
Seat cushion	<a href="#">166TA8488</a>
Backrest cushion	<a href="#">166TA8483</a>

# SEATS

## MIRALBUENO

### RM53M



- Universal forklift seat
- Mechanical suspension
- Weight adjustment: 50-120 kg

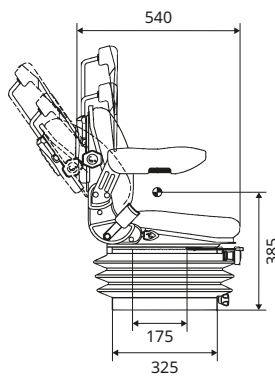
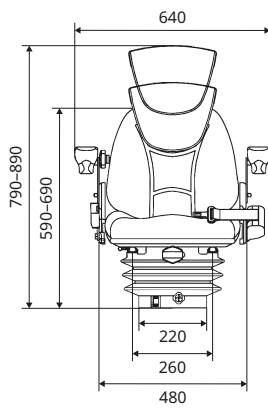
### COMPLETE SEATS

	REF
Seat + switch	PVC <a href="#">166TA7068</a>

### SPARE AND OPTIONAL PARTS

	REF
Seat cushion	PVC <a href="#">166TA8484</a>
Backrest cushion	<a href="#">166TA8486</a>

## SERIES 62



- Industrial and agricultural seat
- Air suspension

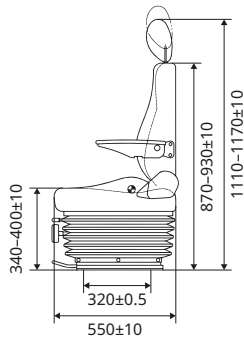
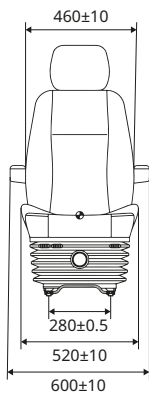
### COMPLETE SEATS

	REF PVC	REF Fabric
Seat + head rest + armrest	<a href="#">166TA8193</a>	<a href="#">166TA8194</a>

### SPARE AND OPTIONAL PARTS

	REF PVC	REF General
Seat cushion	On request	
Backrest cushion	On request	
Head rest	On request	
Armrest kit		<a href="#">144TA3664</a>

## SERIES 3002



- Industrial seat
- Mechanical suspension

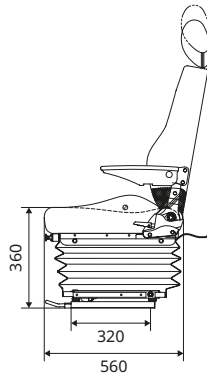
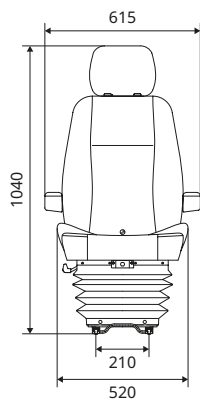
### COMPLETE SEATS

	REF PVC	REF Fabric
Seat + head rest + armrest	Not available	<a href="#">166TA8197</a>

### SPARE AND OPTIONAL PARTS

	REF Fabric
Seat cushion	On request
Backrest cushion	On request
Head rest	On request

## SERIES 3102



- Industrial seat
- Mechanical suspension

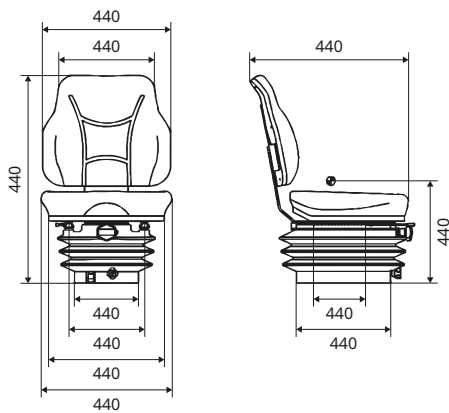
### COMPLETE SEATS

	REF PVC	REF Fabric
Seat + head rest + armrest	Not available	<a href="#">166TA8198</a>

### SPARE AND OPTIONAL PARTS

	REF Fabric
Seat cushion	On request
Backrest cushion	On request
Head rest	On request

## SERIES 80



- Agricultural seat
- Mechanical suspension

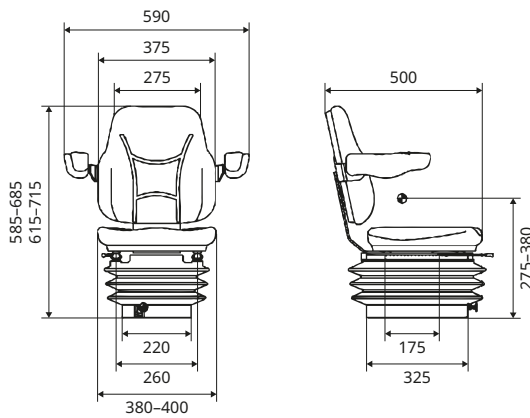
### COMPLETE SEATS

	REF PVC	REF Fabric
Seat	<a href="#">166TA8199</a>	<a href="#">166TA8200</a>

### SPARE AND OPTIONAL PARTS

	REF PVC	REF Fabric	REF General
Seat cushion (black)	<a href="#">145TA2827</a>		
Seat cushion (blue)		<a href="#">166TA8439</a>	
Seat cushion (grey)		<a href="#">166TA8440</a>	
Backrest cushion (black)	<a href="#">145TA2828</a>		
Backrest cushion (grey)		<a href="#">166TA8437</a>	
Backrest cushion (black)		<a href="#">166TA8438</a>	
Head rest	On request	On request	
Arm rest			On request
Seat belt			On request

## SERIES 81



- Industrial and agricultural seat
- Air suspension

### COMPLETE SEATS

	REF PVC	REF Fabric
Seat	<a href="#">166TA8441</a>	<a href="#">166TA8443</a>

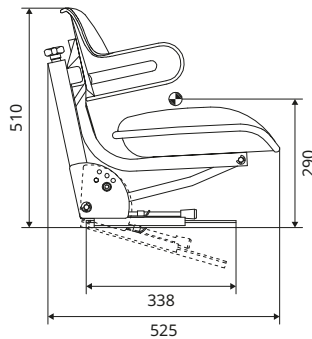
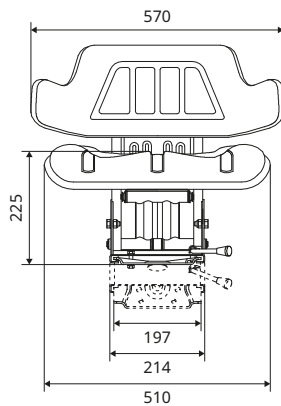
### SPARE AND OPTIONAL PARTS

	REF PVC	REF Fabric	REF General
Seat cushion	<a href="#">166TA8445</a>		
Seat cushion (blue)		<a href="#">166TA8446</a>	
Seat cushion (grey)		<a href="#">166TA8447</a>	
Backrest cushion (black)	<a href="#">166TA8448</a>		
Backrest cushion (grey)		<a href="#">166TA8449</a>	
Head rest	<a href="#">166TA8450</a>	On request	
Seat belt			On request

# SEATS

## MIRALBUENO

### SERIES 20



- Agricultural seat
- Mechanical suspension

### COMPLETE SEATS

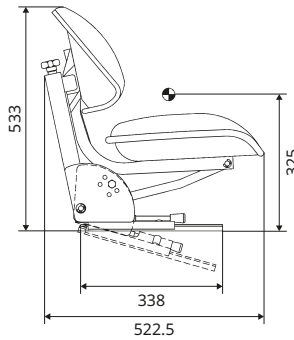
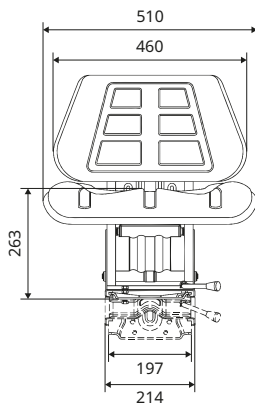
	REF PVC	REF Fabric
Seat (yellow)	<a href="#">166TA8451</a>	Not available
Seat (black)	<a href="#">166TA8452</a>	
Seat (blue)	<a href="#">166TA8453</a>	

### SPARE AND OPTIONAL PARTS

	REF PVC	REF Fabric
Seat cushion (yellow)	<a href="#">166TA8463</a>	Not available
Seat cushion (blue)	<a href="#">166TA8464</a>	Not available
Seat cushion (black)	<a href="#">166TA8465</a>	Not available
Backrest cushion (yellow)	<a href="#">166TA8466</a>	Not available
Backrest cushion (blue)	<a href="#">166TA8467</a>	Not available
Backrest cushion (black)	<a href="#">166TA8468</a>	Not available

All dimensions in mm.

## SERIES 30



- Agricultural seat
- Mechanical suspension

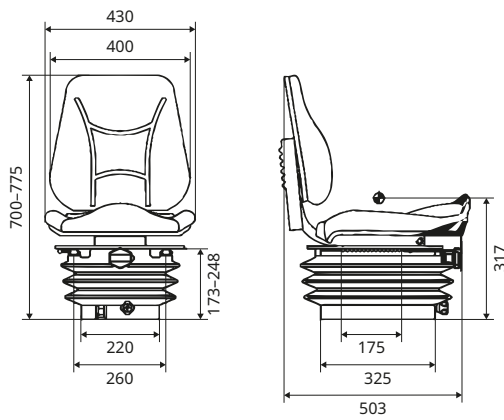
### COMPLETE SEATS

	REF PVC	REF Fabric
Seat	<a href="#">166TA8454</a>	Not available

### SPARE AND OPTIONAL PARTS

	REF PVC	REF Fabric	REF General
Backrest cushion	<a href="#">166TA8455</a>	Not available	
Arm rest kit			On request

### SERIES 35S



- Industrial seat
- Mechanical suspension

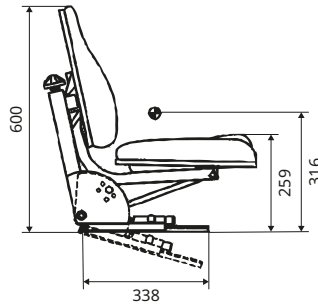
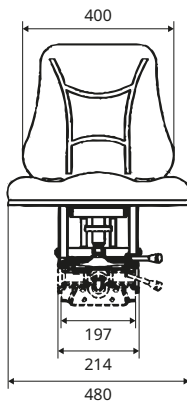
#### COMPLETE SEATS

	REF PVC	REF Fabric
Seat	<a href="#">166TA8457</a>	Not available

#### SPARE AND OPTIONAL PARTS

	REF PVC	REF Fabric
Seat cushion	<a href="#">166TA8469</a>	Not available
Backrest cushion	<a href="#">166TA8470</a>	Not available

## SERIES 35N



- Industrial seat
- Mechanical suspension

### COMPLETE SEATS

	REF PVC	REF Fabric
Seat	<a href="#">166TA8458</a>	On request
Seat + arm rests	On request	<a href="#">166TA8459</a>

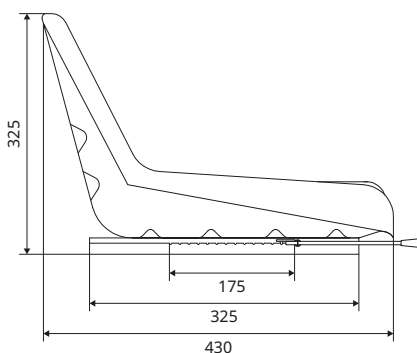
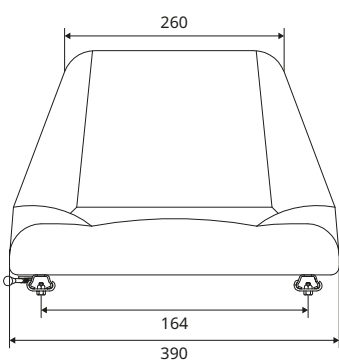
### SPARE AND OPTIONAL PARTS

	REF PVC	REF Fabric
Seat cushion	<a href="#">166TA8469</a>	On request
Backrest cushion	<a href="#">166TA8470</a>	On request

# SEATS

## MIRALBUENO

### SERIES 400

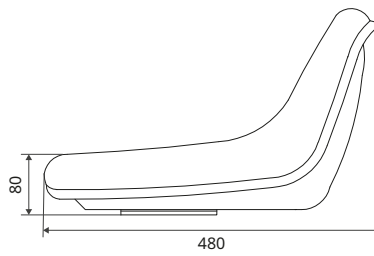
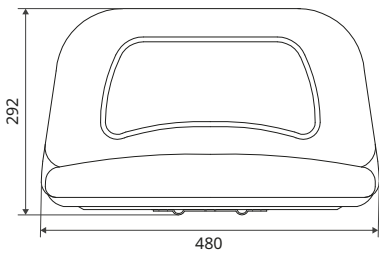


- Agricultural seat
- Mechanical suspension

### COMPLETE SEATS

	REF
Seat pan	PVC
	<a href="#">166TA8460</a>

## SERIES 420



- Agricultural seat
- Mechanical suspension

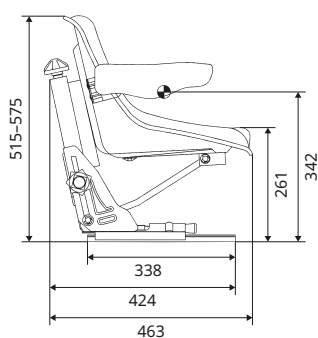
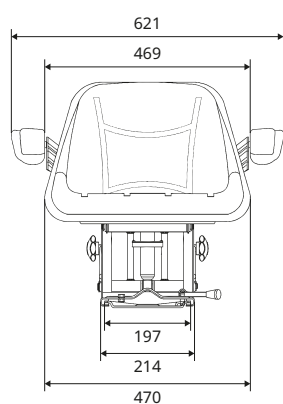
### COMPLETE SEATS

	REF
Seat pan (yellow)	<a href="#">166TA8462</a>
Seat (black)	<a href="#">166TA8461</a>

# SEATS

## MIRALBUENO

### SERIES 450

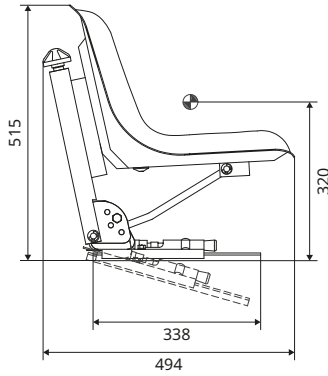
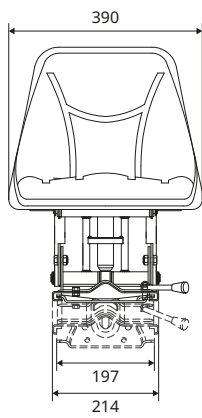


- Industrial and agricultural seat
- Mechanical suspension

### COMPLETE SEATS

	REF
Seat pan	PVC
	<a href="#">166TA8471</a>

## SERIES 460



- Industrial and agricultural seat
- Mechanical suspension

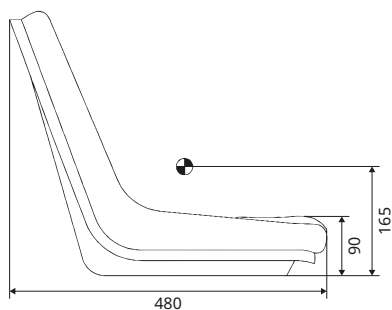
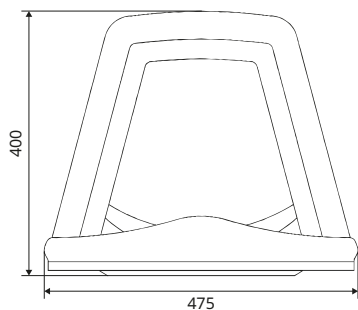
### COMPLETE SEATS

	REF
Seat pan (yellow)	<a href="#">166TA8472</a>
Seat pan (black)	<a href="#">166TA8473</a>

# SEATS

## MIRALBUENO

### SERIES 600

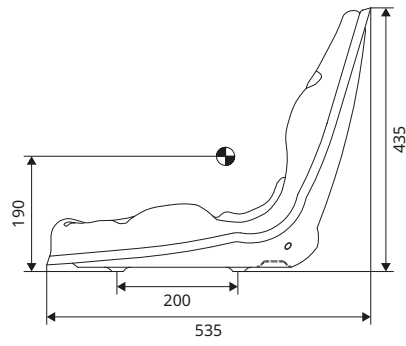
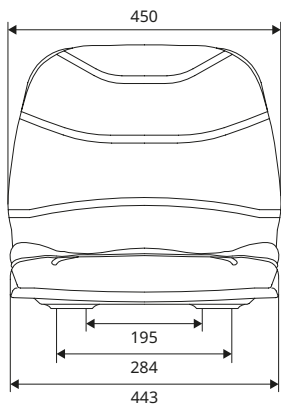


- Industrial and agricultural seat
- Mechanical suspension

### COMPLETE SEATS

	REF
Seat pan	PVC <a href="#">166TA8475</a>

## SERIES 700A



- Industrial and agricultural seat
- Mechanical suspension

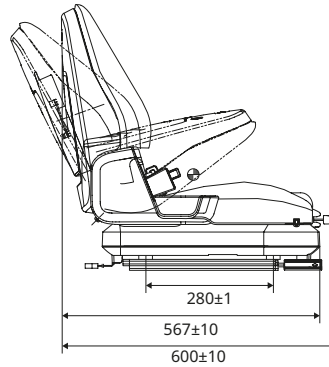
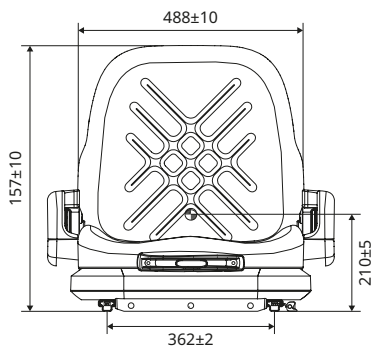
### COMPLETE SEATS

Seat pan

REF  
PVC  
[166TA8476](#)

# SEATS MIRALBUENO

## SERIES SC24



 miralbueno

- Industrial seat
- Mechanical suspension

### COMPLETE SEATS

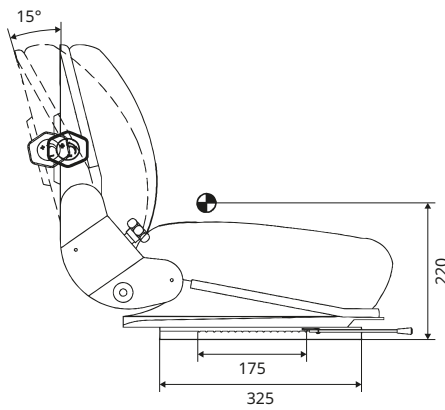
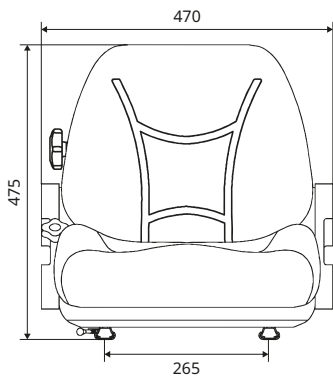
	REF PVC
Seat	<a href="#">166TA8478</a>

### SPARE AND OPTIONAL PARTS

	REF PVC	REF General
Seat cushion	<a href="#">166TA8482</a>	
Backrest cushion	<a href="#">166TA8485</a>	
Arm rest kit		<a href="#">166TA8487</a>

All dimensions in mm.

## SERIES 52



 miralbueno

- Industrial seat
- Mechanical suspension

### COMPLETE SEATS

	REF
Seat	PVC <a href="#">166TA8479</a>

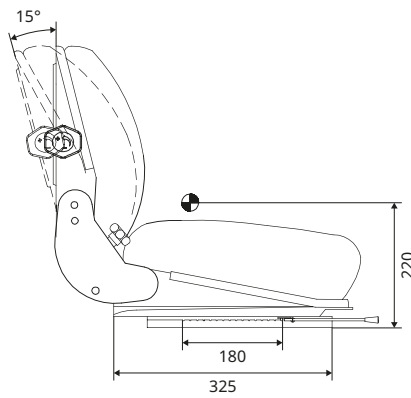
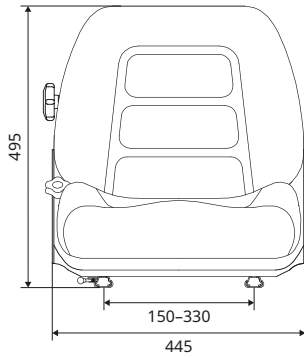
### SPARE AND OPTIONAL PARTS

	REF
Seat cushion	PVC <a href="#">166TA8483</a>
Backrest cushion	<a href="#">166TA8488</a>

# SEATS

## MIRALBUENO

### SERIES 53



- Industrial seat
- Mechanical suspension

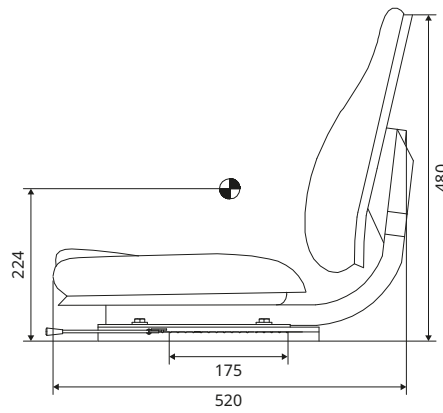
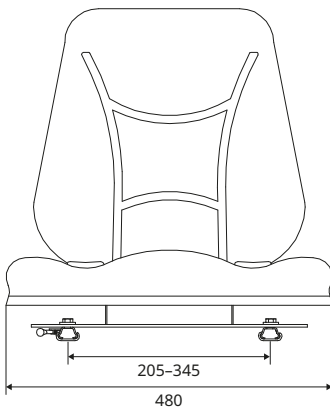
#### COMPLETE SEATS

	REF
Seat	PVC <a href="#">166TA7068</a>

#### SPARE AND OPTIONAL PARTS

	REF
Seat cushion	PVC <a href="#">166TA8484</a>
Backrest cushion	<a href="#">166TA8486</a>

## SERIES 350



- Industrial and agricultural seat
- Mechanical suspension

### COMPLETE SEATS

	REF
Seat	PVC
Seat narrow	<a href="#">166TA8480</a>
	<a href="#">166TA8481</a>

### SPARE AND OPTIONAL PARTS

	REF
Seat cushion	PVC
Backrest cushion	On request
	On request



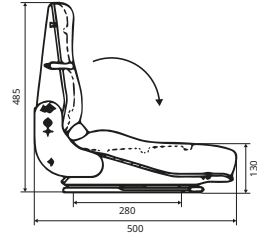
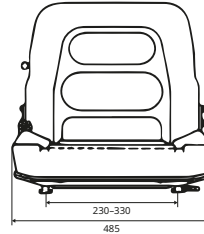


# **11.** **SPECIAL SEATS**

# SPECIAL SEATS

## ANTI-STATIC SEATS

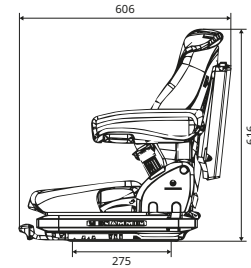
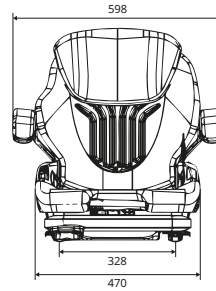
### ES12 (FABRIC)



**TOTAL SOURCE**

REF [123TA7530](#)

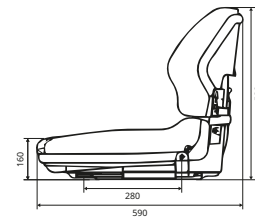
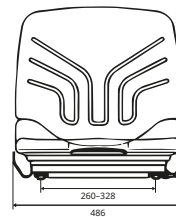
### PRIMO XM



**GRAMMER**

REF [166TA6013](#)

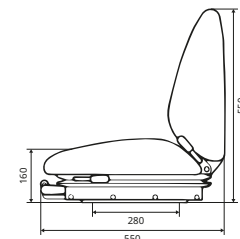
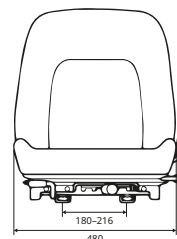
### MSG 20 (FABRIC)



**GRAMMER**

REF [129TA7755](#)

### KAB 211 (FABRIC)



**KAB//Seating**

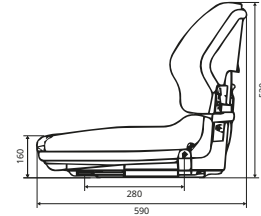
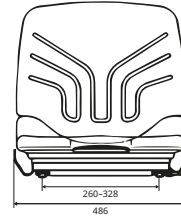
REF [110TA8882](#)

All dimensions in mm.

# SPECIAL SEATS

## HEATED SEATS

### MSG 20



	REF PVC	REF fabric
Seat (12 V)	<a href="#">129TA7771</a>	<a href="#">129TA7781</a>
Seat (24 V)	<a href="#">129TA7772</a>	<a href="#">147TA5061</a>
Seat (24 V) & switch	<a href="#">129TA7773</a>	<a href="#">129TA7783</a>
Seat (48 V) & switch	<a href="#">129TA7774</a>	<a href="#">129TA7784</a>
Seat cushion (12/24 V)	<a href="#">129TA7775</a>	<a href="#">129TA7785</a>
Seat cushion set (48 V)	<a href="#">141TA4946</a>	<a href="#">141TA4944</a>
Seat cushions set (12/24V)	<a href="#">141TA4945</a>	<a href="#">141TA4943</a>

For specifications see page 79

### MSG 20 NARROW



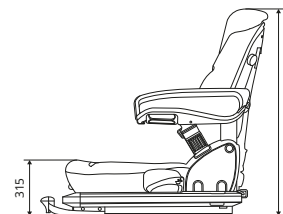
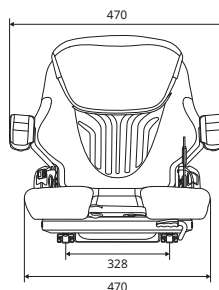
	REF PVC
Seat (12 V)	<a href="#">129TA7738</a>
Seat (24 V)	<a href="#">128TA4158</a>
Seat (48 V)	<a href="#">128TA4159</a>

For specifications see page 80

# SPECIAL SEATS

## HEATED SEATS

### MSG75/731



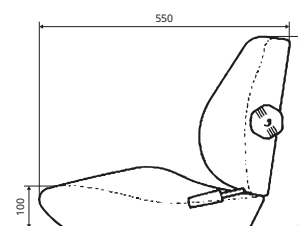
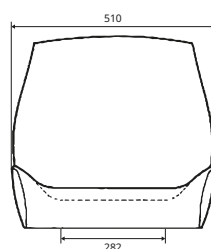
Seat (12 V)

REF PVC

[147TA4986](#)

For specifications see page 89

### TS6



KAB//Seating

Seat (12 V)

REF PVC

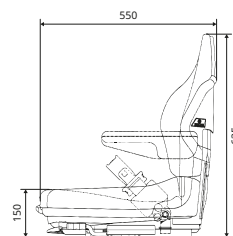
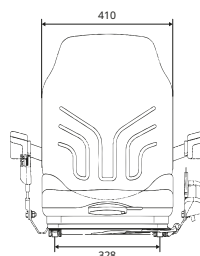
[147TA4985](#)

For specifications see page 112

# SPECIAL SEATS

## NARROW SEATS

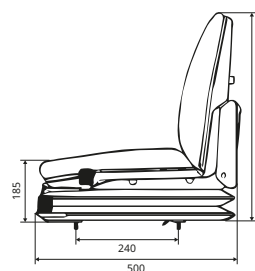
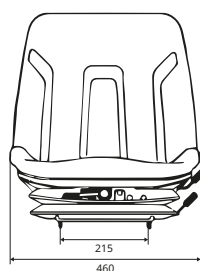
### MSG 20 NARROW



	REF PVC	REF fabric
Seat	<a href="#">110TA8633</a>	<a href="#">147TA4633</a>
Seat + switch (OPS)	<a href="#">110TA8635</a>	<a href="#">144TA3683</a>
Seat + seat belt	<a href="#">110TA8637</a>	<a href="#">147TA5079</a>
Seat + seat belt + switch (OPS)	<a href="#">110TA8639</a>	<a href="#">145TA2602</a>
Seat + switch + heating (12 V)	<a href="#">129TA7738</a>	
Seat + switch + heating (24 V)	<a href="#">128TA4158</a>	
Seat + switch + heating (48 V)	<a href="#">128TA4159</a>	

For specifications see page 80

### ISRI 2300 NARROW



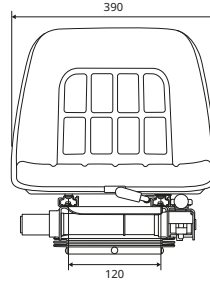
	REF PVC	REF fabric
Seat	<a href="#">106TA8605</a>	<a href="#">110TA8651</a>
Seat with safety switch	<a href="#">110TA8652</a>	<a href="#">110TA8653</a>
Seat with safety switch + retractable seat belt	<a href="#">129TA8516</a>	<a href="#">129TA8517</a>

For specifications see page 147

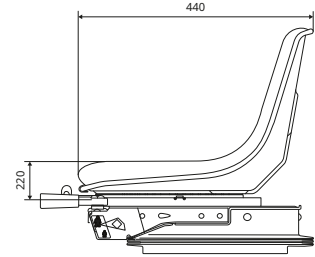
# SPECIAL SEATS

## NARROW SEATS

### KAB XH2/P1



**KAB//Seating**



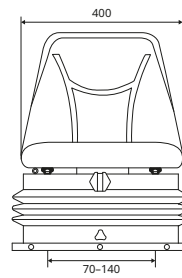
Seat

REF PVC

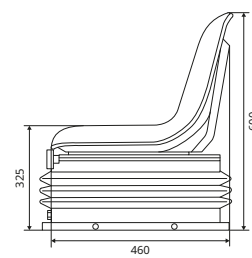
[147TA3398](#)

For specifications see page 113

### TS2460/ES200 (NARROW)



**TOTALSOURCE®**



Seat

REF PVC

[140TA2076](#)

REF fabric

Not available

Seat with switch

[150TA9832](#)

Not available

For specifications see page 209

# **SPECIAL SEATS**

## **SEATS FOR SPECIFIC MAKES**

### **SEATS FOR SPECIFIC MAKES**



### **SEATS FOR SPECIFIC MAKES ON REQUEST.**

**THESE ARE DETERMINED ON THE BASIS OF TRUCK TYPE OR OEM-REFERENCE.**

Specific seats (make-related, type-related ...) can be identified and/or requested via MyPartsFinder (search by brand and truck type) and MyProductSearch (search by specifications/technical info).

For more information about MPF and MPS see our Nice to know document (pages 4 & 5).

### **MYTOTALSOURCE**

**YOUR INTERACTIVE ONLINE WEBSHOP FOR SPARE PARTS**







# **12.** **ACCESSORIES**



## SEAT BELT – TECHNICAL SHEET

	A1.....	Minimum angle ELR mounting (°)
	A2.....	Maximum angle ELR mounting (°)
	H-RETR.....	Housing of the retractor: <i>OP = open</i> <i>CL = closed</i>
	MOU-RETR.....	Mounting of the retractor: <i>RETR-A = retractor type A</i> <i>RETR-B = retractor type B</i> <i>SP = special</i>
	L1.....	Length of the retractor (mm)
	W1.....	Width of the retractor (mm)
	D1.....	Diameter of the retractor (mm)
	H1.....	Height of the retractor (mm)
	D2.....	Diameter of the first mounting hole retractor (mm)
	D3.....	Diameter of the second mounting hole retractor (mm)
	C1.....	Centre distance of the mounting holes (mm)
	L2.....	Length of the belt (fully rolled out) (mm)
	W2.....	Width of the belt (mm)
	COL.....	Colour of the belt: <i>BLA = black</i> <i>BLU = blue</i> <i>BR = brown</i> <i>G = grey</i> <i>GRE = green</i> <i>O = orange</i> <i>R = red</i> <i>Y = yellow</i> <i>WHI = white</i> <i>SP = special</i>
	D4.....	Diameter of the mounting hole of the first anchor (mm)
	D5.....	Diameter of the mounting hole of the second anchor (mm)
	TY-TON.....	Type of tongue: <i>TON-A = tongue type A</i> <i>TON-B = tongue type B</i> <i>TON-C = tongue type C</i> <i>TON-D = tongue type D</i> <i>TON-E = tongue type E</i> <i>TON-F = tongue type F</i> <i>TON-G = tongue type G</i> <i>TON-H = tongue type H</i> <i>TON-I = tongue type I</i> <i>TON-J = tongue type J</i> <i>TON-K = tongue type K</i> <i>SP = special</i>
	L3.....	Outside length of the tongue (mm)
	W3.....	Outside width of the tongue (mm)
	T1.....	Thickness of the tongue (mm)
	L4.....	Inside length of the tongue (mm)
	W4.....	Inside width of the tongue (mm)
	D6.....	Inside diameter of the tongue (mm)

## SEAT BELT – TECHNICAL SHEET

	TY-BUC..... Type of buckle: <i>PUSH = push release</i> <i>PULL = pull release</i> <i>SP = special</i>
	RS-BUC ..... Release system of the buckle: <i>TOP = top release</i> <i>SIDE = side release</i> <i>TOSI = top and side release</i> <i>SP = special</i>
	MOU-BUC..... Mounting of the buckle: <i>BUC-A1 = buckle type A1</i> <i>BUC-A2 = buckle type A2</i> <i>BUC-A3 = buckle type A3</i> <i>BUC-B1 = buckle type B1</i> <i>BUC-B2 = buckle type B2</i> <i>BUC-B3 = buckle type B3</i> <i>BUC-C1 = buckle type C1</i> <i>BUC-C2 = buckle type C2</i> <i>BUC-D1 = buckle type D1</i> <i>BUC-E1 = buckle type E1</i> <i>BUC-F1 = buckle type F1</i> <i>SP = special</i>
	L5 ..... Length of the buckle (mm)
	D7 ..... Diameter of the mounting hole of the buckle (mm)
	CONT-BUC..... Contact of the buckle: <i>CO = change-over</i> <i>NC = normal closed</i> <i>NO = normal open</i> <i>NONC = normal open and normal closed</i> <i>SENS = sensor</i>
	QTY-CO ..... Number of connections
	L6 ..... Length of the wiring (mm)
	CO-BUC..... Connection of the contact of the buckle: <i>CON = connector</i> <i>F4,8 = blade 4,8 mm</i> <i>F6,3 = blade 6,3 mm</i> <i>F9,5 = blade 9,5 mm</i> <i>PIN = pin</i> <i>SC = screw</i> <i>ST = stud</i> <i>SO = solder connection</i> <i>WIRE = wire</i> <i>WC = wire with connector</i> <i>WP = wire with pin</i> <i>SP = special</i>
	REF-RETR..... TVH-ref of the retractor (if not present)
	REF-BUC..... TVH-ref of the buckle (if not present)
	HW-PR ..... Hardware present (yes/no)
	SUP-PR..... Support present (yes/no)
	BU-PR ..... Bush present (yes/no)
	QTY-BU ..... Number of bushings
	D8 ..... Outer diameter of bush 1 (mm)
	D9 ..... Inner diameter of bush 1 (mm)
	L7 ..... Length of bush 1 (mm)

## SEAT BELT – TECHNICAL SHEET

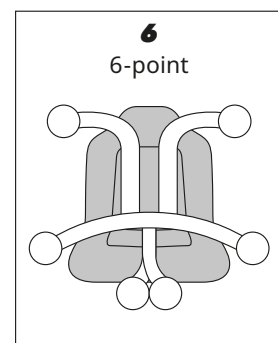
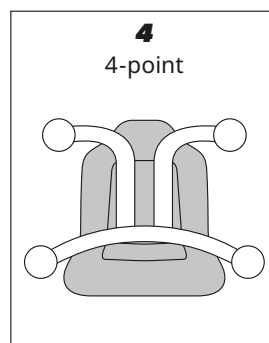
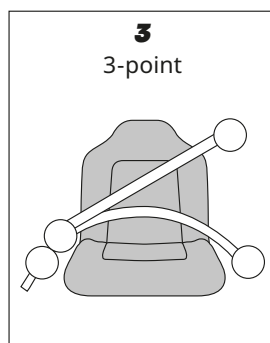
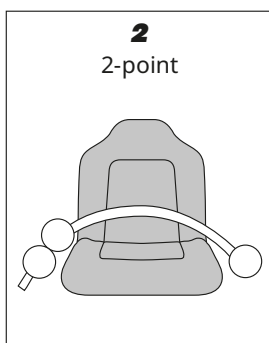
<input type="checkbox"/>	D10.....	Outer diameter of bush 2 (mm)
<input type="checkbox"/>	D11.....	Inner diameter of bush 2 (mm)
<input type="checkbox"/>	L8.....	Length of bush 2 (mm) <i>Order of measuring bushings: 1st, the smallest bush 2nd, the largest bush 3rd, bushing with collar</i>
<input type="checkbox"/>	AB-PR.....	Airbag present (yes/no)
<input type="checkbox"/>	BUCT-PR.....	Seat belt buckle tensioner present (yes/no)
<input type="checkbox"/>	APPL.....	Application: <i>AGRI = agricultural CONSTR = construction MAHA = material handling TRUC = trucks ATIV = automotive</i>
<input type="checkbox"/>	E-APP.....	E-approved (yes/no)
<input type="checkbox"/>	ECE1 .....	ECE R16 (yes/no)
<input type="checkbox"/>	SAE1 .....	SAE J386 (yes/no)
<input type="checkbox"/>	SAE2 .....	SAE J2292 (yes/no)
<input type="checkbox"/>	FMV1 .....	FMVSS 209 (yes/no)
<input type="checkbox"/>	FMV2 .....	FMVSS 302 (yes/no)
<input type="checkbox"/>	ISO1 .....	ISO 6683 (yes/no)
<input type="checkbox"/>	ISO2 .....	ISO 3776 (yes/no)
<input type="checkbox"/>	DIR1 .....	DIR 77/541 (yes/no)
<input type="checkbox"/>	AS/NZS1.....	AS/NZS 2596 (yes/no)
<input type="checkbox"/>	JIS1 .....	JIS D 46604 II (yes/no)

## SEAT BELT – TECHNICAL SHEET

### CMPL: COMPLETE/PART

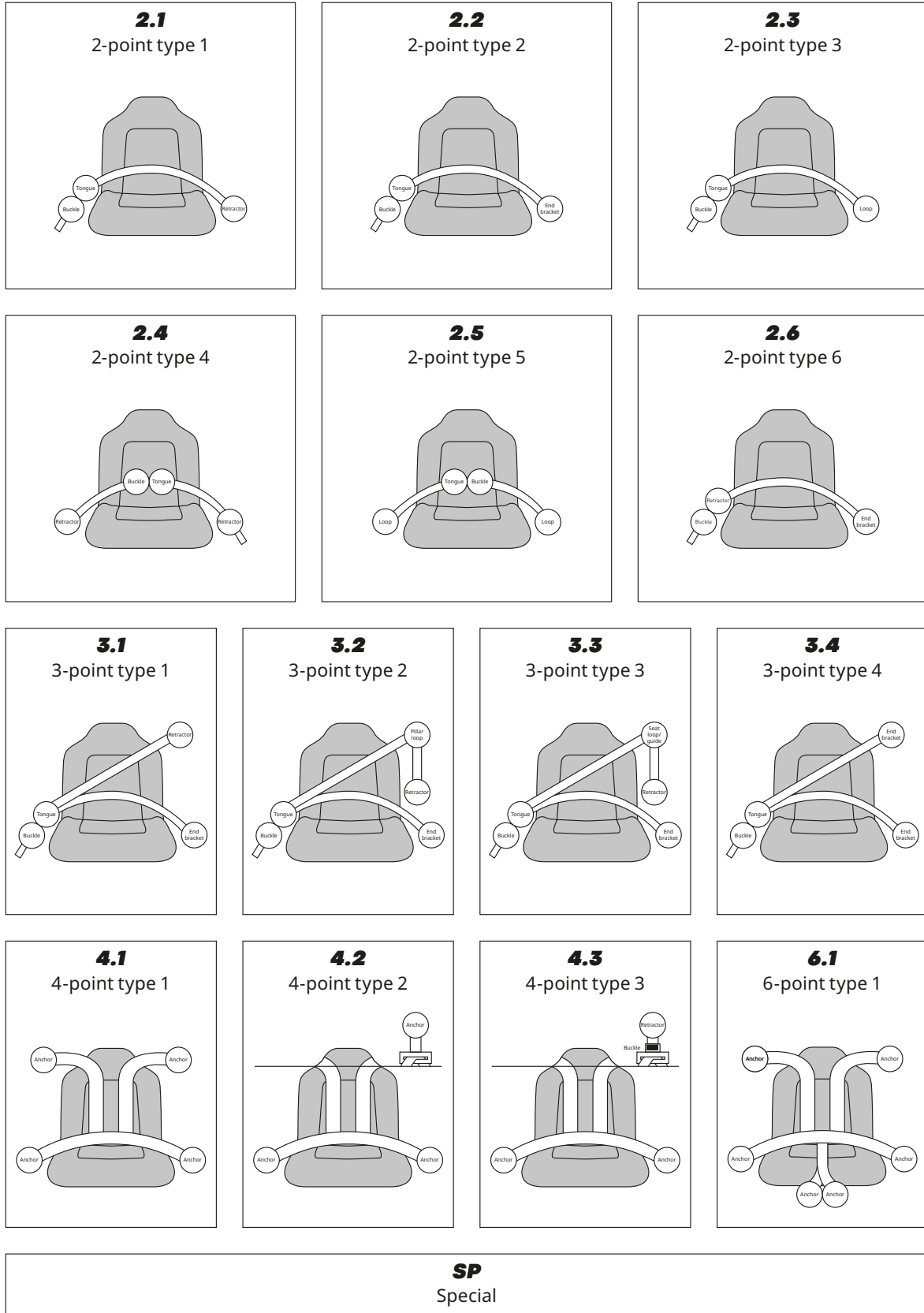


### SRT-BELT: SORT OF SEAT BELT



**SEAT BELT – TECHNICAL SHEET**

**TY-BELT: TYPE OF SEAT BELT**



## SEAT BELT – TECHNICAL SHEET

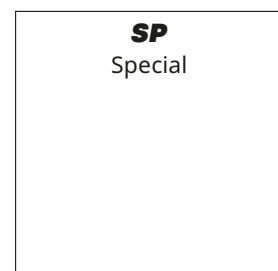
### H-RETR: HOUSING OF THE RETRACTOR



### MOU-RETR: MOUNTING OF THE RETRACTOR





### TY-TON: TYPE OF TONGUE







**TY-BUC: TYPE OF BUCKLE**

<p><b>PUSH</b> Push release</p> 	<p><b>PULL</b> Pull release</p> 	<p><b>SP</b> Special</p>
---	---	------------------------------

**RS-BUC: RELEASE SYSTEM OF THE BUCKLE**

<p><b>TOP</b> Top release</p> 	<p><b>SIDE</b> Side release</p> 	<p><b>TOSI</b> Top and side release</p> 	<p><b>SP</b> Special</p>
--	--	---	------------------------------

**MOU-BUC: MOUNTING OF THE BUCKLE**

<p><b>BUC-A1</b> Buckle slot type A1</p> 	<p><b>BUC-A2</b> Buckle slot type A2</p> 	<p><b>BUC-A3</b> Buckle slot type A3</p> 	<p><b>BUC-B1</b> Buckle slot type B1</p> 
<p><b>BUC-B2</b> Buckle slot type B2</p> 	<p><b>BUC-B3</b> Buckle slot type B3</p> 	<p><b>BUC-C1</b> Buckle slot type C1</p> 	<p><b>BUC-C2</b> Buckle slot type C2</p> 
<p><b>BUC-D1</b> Buckle slot type D1</p> 	<p><b>BUC-E1</b> Buckle slot type E1</p> 	<p><b>BUC-F1</b> Buckle slot type F1</p> 	<p><b>SP</b> Special</p>

## SEAT BELT – TECHNICAL SHEET

### CO-BUC: CONNECTION OF THE CONTACT OF THE BUCKLE

<p><b>CON</b> Connector</p> 	<p><b>F4,8</b> Blade 4,8 mm</p> 	<p><b>F6,3</b> Blade 6,3 mm</p> 	<p><b>F9,5</b> Blade 9,5 mm</p> 
<p><b>PIN</b> Pin</p> 	<p><b>SC</b> Screw</p> 	<p><b>ST</b> Stud</p> 	<p><b>SO</b> Solder connection</p> 
<p><b>WIRE</b> Wire</p> 	<p><b>WC</b> Wire with connector</p> 	<p><b>WP</b> Wire with pin</p> 	<p><b>SP</b> Special</p> 

### HW-PR: HARDWARE PRESENT



### SUP-PR: SUPPORT PRESENT

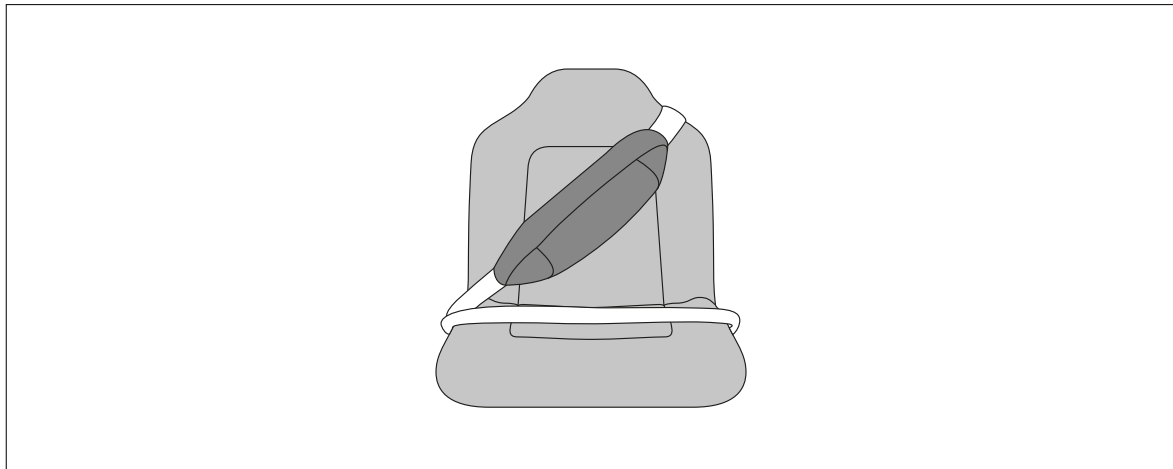


**SEAT BELT – TECHNICAL SHEET**

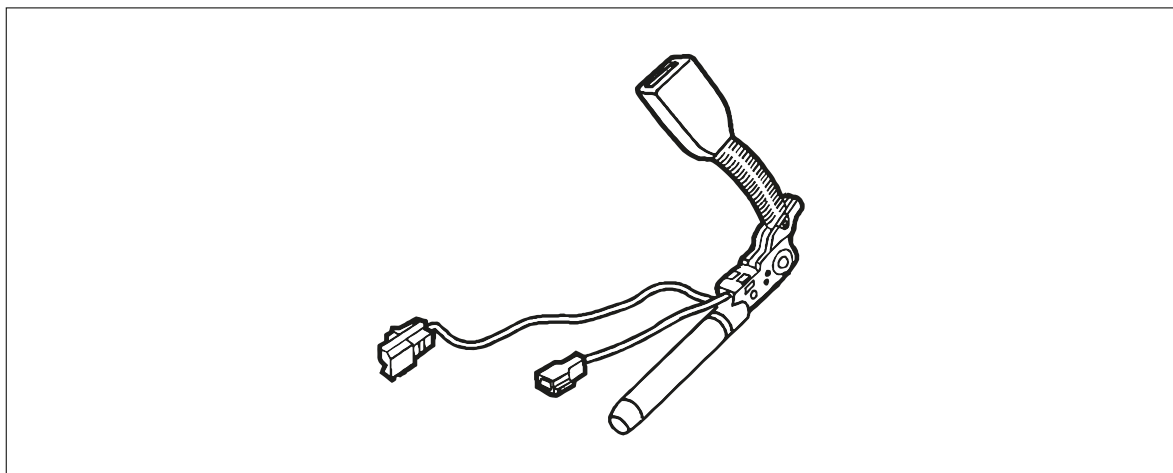
**BU-PR: BUSH PRESENT**



**AB-PR: AIRBAG PRESENT**



**BUCT-PR: SEAT BELT BUCKLE TENSIONER PRESENT**



## SEAT BELT – TECHNICAL SHEET

### DIMENSIONS



**DIMENSIONS**



## STATIC SEAT BELT



### Characteristics:

- 2-point static seat belt
- Full extended overall length: 1286 mm
- Length of the belt (fully rolled out): 1130 mm
- Outside length of the tongue: 40 mm
- Inside length of the tongue: 20,6 mm
- Length of the buckle: 156 mm
- Approved: SAE J386/ECE R16

REF [142TA3333](#) - Orange webbing

REF [110TA8685](#) - Black webbing

## STATIC SEAT BELT



### Characteristics:

- 2-point static seat belt
- Full extended overall length: 1405 mm
- Length of the belt (fully rolled out): 1125 mm
- Outside length of the tongue: 40,3 mm
- Inside length of the tongue: 20,7 mm
- Length of the buckle: 280 mm
- Approved: SAE J386/ECE R16

REF [147TA3648](#) - Black webbing

## STATIC SEAT BELT



### Characteristics:

- 2-point static seat belt
- Full extended overall length: 1300 mm
- Length of the belt (fully rolled out): 1140 mm
- Outside length of the tongue: 41 mm
- Inside length of the tongue: 21 mm
- Length of the buckle: 155 mm
- Length of the wiring: 250 mm
- Approved: SAE J386
- Change-over contact with integrated microswitch (3 wires)

REF [166TA6177](#) - Black webbing

## STATIC SEAT BELT



### Characteristics:

- 2-point static seat belt
- Full extended overall length: 1308 mm
- Length of the belt (fully rolled out): 1148 mm
- Outside length of the tongue: 40,5 mm
- Inside length of the tongue: 21 mm
- Length of the buckle: 158 mm
- Length of the wiring: 265 mm
- Approved: SAE J386, FMVSS 302
- Change-over contact with integrated microswitch (3 wires)

REF [166TA6021](#) - Orange webbing

## ALR SEAT BELT



### Characteristics:

- 2-point ALR (Automatic Locking Retractor)
- Full extended overall length: 1212 mm
- Length of the belt (fully rolled out): 1095 mm
- Outside length of the tongue: 40 mm
- Inside length of the tongue: 20,5 mm
- Length of the buckle: 117 mm
- Approved: ECE R16, SAE J386 & FMVSS 302

REF [143TA7594](#) - Orange webbing

REF [144TA8794](#) - Black webbing

## ALR SEAT BELT



### Characteristics:

- 2-point ALR (Automatic Locking Retractor)
- Full extended overall length: 1407 mm
- Length of the belt (fully rolled out): 1250 mm
- Outside length of the tongue: 41 mm
- Inside length of the tongue: 20,6 mm
- Length of the buckle: 157 mm
- Approved: ECE R16, SAE J386 & FMVSS 302

REF [126TA6069](#) - Orange webbing

REF [106TA5147](#) - Black webbing

## ALR SEAT BELT



### Characteristics:

- 2-point ALR (Automatic Locking Retractor)
- Full extended overall length: 1497 mm
- Length of the retractor: 91 mm
- Length of the belt (fully rolled out): 1252 mm
- Outside length of the tongue: 41 mm
- Inside length of the tongue: 20,6 mm
- Length of the buckle: 245 mm
- Approved: ECE R16, SAE J386 & FMVSS 302

REF [143TA7595](#) - Orange webbing

REF [105TA4857](#) - Black webbing

## ALR SEAT BELT



### Characteristics:

- 2-point ALR (Automatic Locking Retractor)
- Full extended overall length: 1497 mm
- Length of the retractor: 91 mm
- Length of the belt (fully rolled out): 1252 mm
- Outside length of the tongue: 41 mm
- Inside length of the tongue: 20,6 mm
- Length of the buckle: 245 mm
- Approved: ECE R16, SAE J386 & FMVSS 302

REF [142TA3335](#) - Orange webbing

REF [106TA5149](#) - Black webbing

## ALR SEAT BELT



### Characteristics:

- 2-point ALR (Automatic Locking Retractor)
- Full extended overall length: 1502 mm
- Length of the retractor: 92 mm
- Length of the belt (fully rolled out): 1250 mm
- Outside length of the tongue: 41 mm
- Inside length of the tongue: 20,5 mm
- Length of the buckle: 252 mm
- Approved: ECE R16, DIR 77/541, SAE J386 & FMVSS 302

REF [147TA3649](#) - Black webbing

## ALR SEAT BELT



### Characteristics:

- 2-point ALR (Automatic Locking Retractor) on webbing strap
- Full extended overall length: 1675 mm
- Length of the retractor: 91 mm
- Length of the belt (fully rolled out): 1400 mm
- Outside length of the tongue: 36,5 mm
- Inside length of the tongue: 20,5 mm
- Length of the buckle: 275 mm
- Approved: ECE R16, SAE J386 & FMVSS 302

REF [147TA3650](#) – Black webbing

## ALR SEAT BELT



### Characteristics:

- 2-point ALR (Automatic Locking Retractor)
- Full extended overall length: 1367 mm
- Length of the retractor: 92 mm
- Length of the belt (fully rolled out): 1250 mm
- Outside length of the tongue: 41 mm
- Inside length of the tongue: 20,5 mm
- Length of the buckle: 117 mm
- Length of the wiring: 275 mm
- Approved: ECE R16, SAE J386 & FMVSS 302
- Change-over contact with integrated microswitch (3 wires)

REF [147TA3651](#) – Black webbing

## ALR SEAT BELT



### Characteristics:

- 2-point ALR (Automatic Locking Retractor)
- Full extended overall length: 1401 mm
- Length of the retractor: 91,5 mm
- Length of the belt (fully rolled out): 1245 mm
- Outside length of the tongue: 41 mm
- Inside length of the tongue: 20,6 mm
- Length of the buckle: 156 mm
- Length of the wiring: 270 mm
- Approved: ECE R16, SAE J386 & FMVSS 302
- Change-over contact with integrated microswitch (3 wires)

REF [126TA6068](#) – Orange webbing

REF [110TA8613](#) – Black webbing

REF [129TA9154](#) – Yellow webbing

## ALR SEAT BELT



### Characteristics:

- 2-point ALR (Automatic Locking Retractor)
- Full extended overall length: 1502 mm
- Length of the retractor: 92 mm
- Length of the belt (fully rolled out): 1250 mm
- Outside length of the tongue: 41 mm
- Inside length of the tongue: 21 mm
- Length of the buckle: 252 mm
- Length of the wiring: 275 mm
- Approved: ECE R16, DIR 77/541, SAE J386 & FMVSS 302
- Change-over contact with integrated microswitch (3 wires)

REF [147TA3652](#) – Orange webbing

REF [147TA3653](#) – Black webbing

## ALR SEAT BELT



### Characteristics:

- 2-point ALR (Automatic Locking Retractor)
- Full extended overall length: 1500 mm
- Length of the retractor: 91 mm
- Length of the belt (fully rolled out): 1240 mm
- Outside length of the tongue: 41 mm
- Inside length of the tongue: 20,5 mm
- Length of the buckle: 250 mm
- Length of the wiring: 100 mm
- Approved: SAE J386
- Change-over contact with integrated microswitch (3 wires)

REF [166TA5552](#) – Black webbing

## ELR SEAT BELT



### Characteristics:

- 2-point ELR (Emergency Locking Retractor), mounts 60° forward
- Full extended overall length: 1515 mm
- Length of the retractor: 70 mm
- Length of the belt (fully rolled out): 1265 mm
- Outside length of the tongue: 41 mm
- Inside length of the tongue: 21 mm
- Length of the buckle: 250 mm
- Approved: ECE R16, SAE J386 & FMVSS 302

REF [147TA3654](#) – Orange webbing

REF [125TA6316](#) – Black webbing

## ELR SEAT BELT



### Characteristics:

- 2-point ELR (Emergency Locking Retractor), mounts 60° forward of vertical on right-hand hip only
- Full extended overall length: 1387 mm
- Length of the retractor: 90 mm
- Length of the belt (fully rolled out): 1230 mm
- Outside length of the tongue: 41 mm
- Inside length of the tongue: 20,5 mm
- Length of the buckle: 157 mm
- Approved: ECE R16, SAE J386 & FMVSS 302

REF [147TA3655](#) – Orange webbing

REF [145TA2803](#) – Black webbing

## ELR SEAT BELT



### Characteristics:

- 2-point ELR (Emergency Locking Retractor), mounts 60° forward of vertical on right-hand hip only
- Full extended overall length: 1512 mm
- Length of the retractor: 96 mm
- Length of the belt (fully rolled out): 1260 mm
- Outside length of the tongue: 41 mm
- Inside length of the tongue: 20,5 mm
- Length of the buckle: 252 mm
- Approved: ECE R16, SAE J386 & FMVSS 302

REF [144TA6916](#) – Orange webbing

REF [144TA6917](#) – Black webbing

## ELR SEAT BELT



### Characteristics:

- 2-point ELR (Emergency Locking Retractor), mounts 60° forward of vertical on right-hand hip only
- Full extended overall length: 1400 mm
- Length of the retractor: 71,6 mm
- Length of the belt (fully rolled out): 1275 mm
- Outside length of the tongue: 41 mm
- Inside length of the tongue: 20,6 mm
- Length of the buckle: 125 mm
- Approved: ECE R16, ISO 6683, SAE J386 & FMVSS 209

REF [144TA6914](#) – Black webbing

## ELR SEAT BELT



### Characteristics:

- 2-point ELR (Emergency Locking Retractor), mounts 60° forward of vertical on right-hand hip only
- Full extended overall length: 1515 mm
- Length of the retractor: 70 mm
- Length of the belt (fully rolled out): 1265 mm
- Outside length of the tongue: 41 mm
- Inside length of the tongue: 21 mm
- Length of the buckle: 250 mm
- Approved: ECE R16, ISO 6683, SAE J386 & FMVSS 209

REF [147TA3656](#) - Black webbing

## ELR SEAT BELT



### Characteristics:

- 2-point ELR (Emergency Locking Retractor), mounts 60° forward of vertical on right-hand hip only
- Full extended overall length: 1417 mm
- Length of the retractor: 96 mm
- Length of the belt (fully rolled out): 1260 mm
- Outside length of the tongue: 41 mm
- Inside length of the tongue: 20,7 mm
- Length of the buckle: 157 mm
- Length of the wiring: 270 mm
- Approved: ECE R16, ISO 6683, SAE J386 & FMVSS 209
- Change-over contact with integrated microswitch (3 wires)

REF [139TA5238](#) - Orange webbing

REF [126TA6067](#) - Black webbing

## ELR SEAT BELT



### Characteristics:

- 2-point ELR (Emergency Locking Retractor), mounts 60° forward of vertical on right-hand hip only
- Full extended overall length: 1338 mm
- Length of the retractor: 74 mm
- Length of the belt (fully rolled out): 1212 mm
- Outside length of the tongue: 41 mm
- Inside length of the tongue: 20,7 mm
- Length of the buckle: 126 mm
- Length of the wiring: 495 mm
- Approved: ECE R16, ISO 6683, SAE J386 & FMVSS 209
- Normally open buckle with integrated microswitch (2 wires)

REF [147TA3657](#) - Orange webbing

REF [142TA1538](#) - Black webbing

## ELR SEAT BELT



### Characteristics:

- 2-point ELR (Emergency Locking Retractor), mounts 60° forward of vertical on right-hand hip only
- Full extended overall length: 1372 mm
- Length of the retractor: 71 mm
- Length of the belt (fully rolled out): 1245 mm
- Outside length of the tongue: 40,5 mm
- Inside length of the tongue: 20,5 mm
- Length of the buckle: 127 mm
- Length of the wiring: 490 mm
- Approved: ECE R16, ISO 6683, SAE J386 & FMVSS 209
- Normally open buckle with integrated microswitch (2 wires)

REF [147TA3658](#) – Orange webbing

REF [141TA4999](#) – Black webbing

## ELR SEAT BELT



### Characteristics:

- 3-point ELR (Emergency locking Retractor), mounts vertically
- Full extended overall length: 3127 mm
- Length of the retractor: 70 mm
- Length of the belt (fully rolled out): 2970 mm
- Outside length of the tongue: 40 mm
- Inside length of the tongue: 20,7 mm
- Length of the buckle: 157 mm
- Length of the wiring: 270 mm
- Approved: ECE R16
- Change-over contact with integrated microswitch (3 wires)

REF [136TA3233](#) – Orange webbing

## MUR SEAT BELT



### Characteristics:

- 2-point: MUR (Manually Unlocking Retractor)
- Full extended overall length: 3280 mm
- Length of the retractor: 90 mm
- Length of the belt (fully rolled out): 2980 mm
- Outside length of the tongue: 40 mm
- Inside length of the tongue: 20,5 mm
- Length of the buckle: 300 mm
- Approved: ECE R16

REF [147TA3659](#) – Black webbing

## MUR SEAT BELT

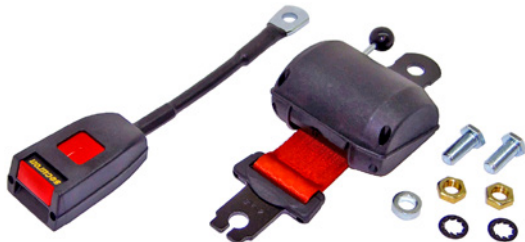


### Characteristics:

- 2-point: MUR (Manually Unlocking Retractor)
- Full extended overall length: 1360 mm
- Length of the retractor: 92 mm
- Length of the belt (fully rolled out): 1244 mm
- Outside length of the tongue: 41 mm
- Inside length of the tongue: 20,7 mm
- Length of the buckle: 116 mm
- Approved: SAE J386 & FMVSS 302

REF [129TA8647](#) - Black webbing

## MUR SEAT BELT



### Characteristics:

- 2-point: MUR (Manually Unlocking Retractor)
- Full extended overall length: 1501 mm
- Length of the retractor: 91 mm
- Length of the belt (fully rolled out): 1244 mm
- Outside length of the tongue: 41 mm
- Inside length of the tongue: 20,7 mm
- Length of the buckle: 257 mm
- Approved: SAE J386 & FMVSS 302

REF [142TA3336](#) - Orange webbing

REF [139TA5789](#) - Black webbing

## MUR SEAT BELT



### Characteristics:

- 2-point: MUR (Manually Unlocking Retractor)
- Full extended overall length: 1530 mm
- Length of the retractor: 90 mm
- Length of the belt (fully rolled out): 1280 mm
- Outside length of the tongue: 41 mm
- Inside length of the tongue: 20,5 mm
- Length of the buckle: 252 mm
- Length of the wiring: 270 mm
- Approved: SAE J386
- Change-over contact with integrated microswitch (3 wires)

REF [166TA6179](#) - Black webbing

## MUR SEAT BELT



### Characteristics:

- 2-point: MUR (Manually Unlocking Retractor)
- Full extended overall length: 1500 mm
- Length of the retractor: 91 mm
- Length of the belt (fully rolled out): 1240 mm
- Outside length of the tongue: 41 mm
- Inside length of the tongue: 20,6 mm
- Length of the buckle: 247 mm
- Length of the wiring: 270 mm
- Approved: SAE J386
- Change-over contact with integrated microswitch (3 wires)

REF [166TA6180](#) – Black webbing

## SEAT BELT EXTENDER



### Characteristics:

- Seat belt extender for use with Securon seat belts only
- Full extended overall length: 500 mm
- Only functions if pillar loop is installed directly above a vertically mounted retractor (belt will lock if installed incorrectly)

REF [145TA1853](#) – Red webbing

## EZE BELT



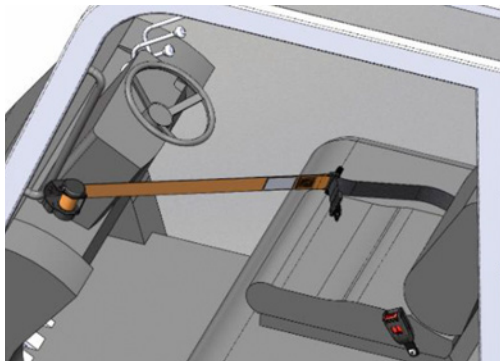
### Characteristics:

- The EZE belt is designed to encourage use of the provided operator safety belt
- Mounted on the grab handle

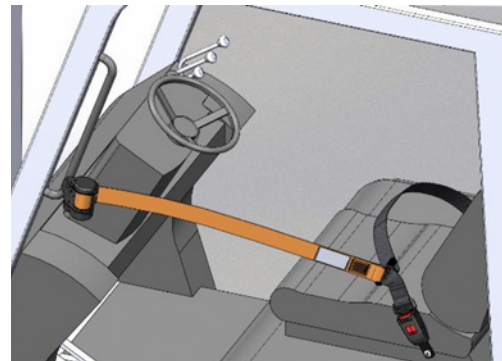


**This is not a safety belt**

REF [144TA6915](#)



1. EZE Retractor: holds safety belt tongue ready for operator. (N.B. if using an ALR safety belt, ALR webbing must be completely retracted before attempting to fasten safety belt).



2. With safety belt engaged around wearer, EZE Retractor: webbing stays taut and does not obstruct whilst manoeuvring the vehicle.

## SPRINGBELT



Springbelt is a remarkable product that has been refined and developed over many years to protect both employees and employers. It's called Springbelt, because as you can see, it springs up when unbuckled making it a real nuisance and cannot be sat on as per a normal belt/buckle. When it's buckled, it holds the operator firmly, comfortably and safely in his/her seat. It can be fitted easily to all common types of mobile machinery providing highly visible workplace protection for you and your operators.

REF [151TA2268](#) - Springbelt ALR orange electric

REF [151TA2269](#) - Springbelt ELR orange electric



## UNIVERSAL SEAT BELT BRACKET



- Easy to fit between seat and slide rails
- Overall length: 525 mm

REF [106TA5154](#)

## SEAT BELT BRACKET



Allows easy fitting of the belt (for MSG 20)

REF [147TA4100](#) - 1 piece

## SEAT COVER



- Universal seat cover, with opening for head rest and document holder
- Waterproof
- Length: 900 mm
- Width: 600 mm

REF [106TA6749](#)

## DISPOSABLE SEAT COVER



- Roll of 100 pieces for easy dispensing
- Material: polyethylene
- Bio-degradable
- Dimensions: 800 x 1300 mm

REF [141TA1560](#)

## SEAT COVER GRAMMER



- Machine washable 40 °C
- Up to seat width: 530 mm
- Ok for heated seats
- Fits on Maximo, Primo, Actimo, Compacto models
- Not suited for seats with climate control (air-ventilated cushions)

REF [144TA6918](#)

## SUMMER SEAT



- To fit on top of seat and back cushions
- Comfortable driving on hot summer days

REF [165TA3797](#)

## UNIVERSAL SEAT HEATING



- To fit on top of seat and back cushions
- High and low heating function
- 12 V

REF [106TA8620](#)

## UNIVERSAL SEAT HEATING



- To fit on top of seat and back cushions
- 12 V

REF [147TA4101](#)

## SEAT HEATING



- Heating pads to mount between seat foam and cover
- Can be used for some seats of: KAB, BEGE, ISRI

REF [106TA8617](#) – 12 V

REF [106TA8618](#) – 24 V

REF [106TA8619](#) – 48 V

## OPERATOR PRESENCE SWITCH



- Universal sensor pad
- Works as NO (normal open) contact

REF [106TA5151](#)

## OPERATOR PRESENCE SWITCH



- Universal sensor pad
- Works as NO (normal open) contact

REF [106TA5153](#)

## SEAT SWITCH



NO (normal open) contact

REF [110TA9013](#)

### DOCUMENT HOLDER



- OEM quality
- Waterproof
- For A4 documents
- Outer dimensions: 365 x 280 x 55 mm
- Inner dimensions: 320 x 220 x 30 mm
- Material: high-density polyethylene

REF [123TA7529](#)

### DOCUMENT HOLDER



- Economic version
- For A4 documents
- Outer dimensions: 320 x 260 x 55 mm
- Inner dimensions: 295 x 230 x 40 mm
- Material: high-density polyethylene

REF [131TA2735](#)

### DOCUMENT HOLDER



- Universal document holder
- Length: 350 mm
- Inner length: 325 mm
- Inner diameter: 70 mm
- Material: PVC
- Supplied with brackets

REF [106TA6801](#)



- Steel bracket for document holder
- M8 - Thread fitting

REF [116TA5758](#)

### DOCUMENT HOLDER



- OEM quality
- Waterproof
- For A5 documents
- Outer dimensions: 295 x 195 x 45 mm
- Inner dimensions: 230 x 160 x 15 mm
- Material: high-density polyethylene

REF [107TA7951](#)

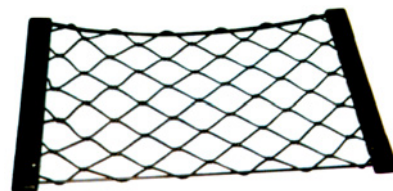
### DOCUMENT HOLDER



- For A4 documents
- Dimensions: 305 x 310 mm
- Thickness: up to 15 mm

REF [106TA8631](#)

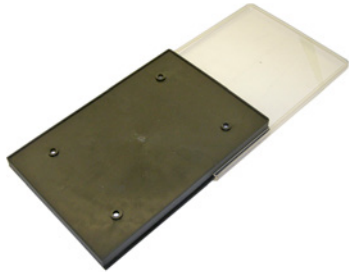
### DOCUMENT HOLDER



- Set contains 2 equal halves
- Dimensions: 375 x 215 mm

REF [107TA7950](#)

## DOCUMENT HOLDER



- For Sears 1200-series seats
- Dimensions: 235 x 162 x 20 mm
- Material: plastic box with plexi cover

REF [131TA2736](#)

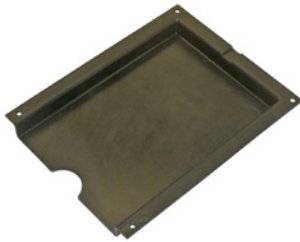
## DOCUMENT HOLDER



- For Sears seats
- Dimensions: 330 x 270 mm
- Thickness: up to 50 mm
- Material: imitation leather

REF [131TA2737](#)

## DOCUMENT HOLDER



- Used for Clark
- For A5 documents
- Outer dimensions: 232 x 180 x 20 mm
- Inner dimensions: 214 x 166 x 17 mm
- Material: polyethylene
- Only for use inside cab due to open top

REF [131TA2734](#)

## DOCUMENT HOLDER



- Document holder with zipper
- Resistant to moisture, freezing temperatures and heat
- Dimensions: 310 x 220 mm

REF [143TA6466](#)

## TWIGGY SEAL TO SECURE DOCUMENT HOLDERS



- Dimensions lace: 2,2 x 255 mm
- Dimensions label: 22 x 45 mm
- Box of 100 pieces
- Red

REF [140TA6051](#)

## STICKER



Sticker seat belt

REF [107TA7976](#)

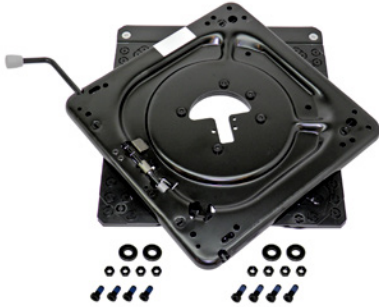
## UNIVERSAL TURNTABLE



- Fixed positions at 20°, 90°, 180°, 270° and 340°
- Dimensions upper part: 350 x 350 mm
- Dimensions lower part: 330 x 310 mm

REF [111TA6202](#)

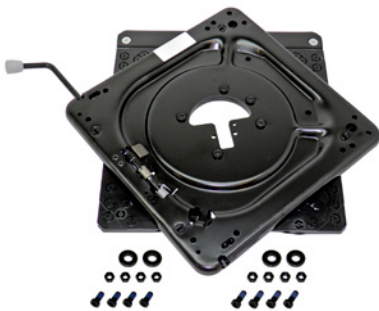
## GRAMMER TURNTABLE



- 360°, lockable every 10°
- Dimensions upper part: 390 x 360 mm
- Dimensions lower part: 370 x 370 mm
- Height: 31 mm

REF [141TA5021](#)

## GRAMMER TURNTABLE



- 180°, lockable every 10°
- Dimensions upper part: 370 x 325 mm
- Dimensions lower part: 350 x 290 mm

REF [147TA3661](#)

## FASTENED SEAT BELT INDICATOR



- REF [128TA4257](#)  
REF [103TA4554](#) - Bulb 12 V  
REF [103TA4556](#) - Bulb 24 V





**13.**  
**WORKSHOP &  
WAREHOUSE  
SUPPLIES AND  
PPE**

## 1/2" HEXAGON COMBINATION SET – 17PIECES



12 sockets and 5 accessories

### Contents:

- 12 hexagon sockets: 10 - 11 - 12 - 13 - 14 - 17 - 19 - 22 - 24 - 27 - 30 - 32 mm
- 1 x 72-teeth reversible ratchet
- 1 sliding T-handle
- 2 extension bars: 125 - 255 mm
- 1 universal joint

REF [151TA3843](#)

## 1/2" HEXAGON COMBINATION SET – 24 PIECES



18 sockets and 6 accessories

### Contents:

- 18 surface drive hexagon sockets:  
5/16" - 3/8" - 7/16" - 1/2" - 9/16" - 19/32" - 5/8" - 11/16" - 3/4" - 25/32" - 13/16" - 7/8" - 15/16" - 1" - 1 1/16" - 1 1/8" - 1 3/16" - 1 1/4"
- 1 x 24-teeth ratchet
- 1 sliding T-handle
- 1 swivel handle
- 2 extension bars: 125 - 250 mm
- 1 universal joint

REF [151TA3845](#)

## SET OF SCREWDRIVERS – 8 PIECES



Screwdrivers with a soft grip handle

### Contents:

- 5 slotted screwdrivers:  
0,4 x 2,5 x 75 - 0,5 x 3 x 75 - 0,8 x 4 x 100 - 1 x 5,5 x 125 - 1,2 x 6,5 x 150 mm
- 3 Phillips screwdrivers:  
PH0 x 3 x 60 - PH1 x 4,5 x 80 - PH2 x 6 x 100 mm

REF [151TA3846](#)

This is just a selection from our workshop & warehouse supplies and PPE range. For more information, please consult your sales advisor.

## SET OF SCREWDRIVERS – 14 PIECES



Set of screwdrivers for all applications in a sturdy case, including a 1000 V insulated screwdriver

### Contents:

- 6 slotted screwdrivers: 3 x 75 – 4 x 100 – 5,5 x 125 – 6,5 x 25 – 6,5 x 150 – 8 x 175 mm
- 1 slotted reinforced screwdriver: 10 x 200 mm
- 1 slotted insulated screwdriver: 5,5 x 125 mm
- ⊕ 5 Phillips screwdrivers: PH0 x 60 – PH1 x 80 – PH2 x 25 – PH2 x 100 – PH3 x 150 mm
  - 1 (de)magnetiser

REF [166TA6181](#)

## DRY LUBE – 500 ML



PTFE lubricant for dry lubrication and use on plastic friction points

- Fast-drying, white waxy PTFE particles
- Outstanding lubricity and anti-stick or release properties
- Most effective where low speeds and light loads are involved
- Resistant against high temperatures

- Colour: white
- Maximum temperature: 250 °C
- Contents: 500 ml

REF [143TA6906](#)

## TEXTILE CLEAN PRO – 500 ML



Effective cleaner for upholstery, carpets, fabric, vinyl and leather

- Provides the interior with a fresh and clean feeling
- Powerful, fast-acting cleaning foam: penetrates quickly
- Cleans seat covers, carpets, fabric, vinyl and leather
- Removes stubborn stains
- Safe to use on all surfaces
- Eliminates unpleasant odours
- Can be used in a flammable environment

- Colour: white
- Contents: 500 ml

REF [165TA1232](#)

This is just a selection from our workshop & warehouse supplies and PPE range. For more information, please consult your sales advisor.

## VERTIGO GREY PU C&G C

**Honeywell**



- Gloves for the handling of sharp parts in a dry or greasy environment.
- Excellent mechanical protection against cuts, abrasion, tears and mild punctures
  - Grey PU coating on palm
  - Excellent dexterity
  - Offers maximum comfort with added sturdiness, also for fine work
  - Applications: handling of paper, fine sheet metal, sheets of glass, plastic items, cutting tools, finishing operations with cutters (Dynaflex) and handling of damp and slippery objects such as steel rods and sheet metal
  - In conformity with: Cat II, EN 420, EN 388: 4X43C

REF [165TA7266](#) - Size 9

REF [165TA7267](#) - Size 10

REF [165TA7268](#) - Size 11

# WORLDWIDE PRESENCE



## TVH PARTS HOLDING & BEPCO GROUP AROUND THE WORLD

<p> <b>AUSTRALIA</b>  <b>TVH AUSTRALIA PTY LTD</b>                      Dandenong South (Melbourne, Victoria) •                      Richlands (Brisbane, Queensland) •                      Welshpool (Perth, West Australia) •                      Wetherill Park (Sydney, New South                      Wales) • Wingfield (Adelaide, South                      Australia)</p>	<p> <b>GERMANY</b>  <b>TVH DEUTSCHLAND GMBH</b>                      Soest  <b>GLASSINTER GMBH</b>                      Kirchheim unter Teck  <b>INDUSTRIE SERVICE JUNG GMBH</b>                      Langenhagen  <b>BEPCO DEUTSCHLAND GMBH</b>                      Soest</p>	<p> <b>ROMANIA</b>  <b>BEPCO ROMANIA SRL</b>                      Negoesti</p>	<p> <b>UNITED KINGDOM</b>  <b>TVH UK LIMITED</b>                      Coventry  <b>RENTACLAMP (COVENTRY) LIMITED</b>                      Coventry  <b>INDEPENDENT PARTS &amp; SERVICE                      LIMITED</b>                      Coventry  <b>BEPCO UK LIMITED</b>                      Kidderminster</p>
<p> <b>BELGIUM</b>  <b>TVH PARTS HOLDING NV</b>                      Waregem  <b>TVH PARTS NV</b>                      Waregem • Gullegem  <b>GEM ONE NV</b>                      Waregem  <b>BEPCO PARTS SA</b>                      Hermalle-sous-Huy • Villers-le-Bouillet</p>	<p> <b>INDIA</b>  <b>TVH INDIA PVT LTD</b>                      Pune</p>	<p> <b>RUSSIA</b>  <b>TVH RUS LLC</b>                      Dubrovka (Moscow)</p>	<p> <b>USA</b>  <b>TVH PARTS CO</b>                      Duncan (South Carolina) • Fresno                      (California) • Grayslake (Illinois) •                      Harrisburg (Pennsylvania) • Miami                      (Florida) • Mira Loma (California) • Olathe                      (Kansas) • Portland (Oregon) • Shreveport                      (Louisiana)  <b>C-TECH INDUSTRIES LLC</b>                      West Chester Township (Ohio)  <b>SUPERIOR SIGNALS, INC</b>                      Olathe (Kansas)  <b>GEM ONE US</b>                      Olathe (Kansas)  <b>FLIGHT SYSTEMS INDUSTRIAL                      PRODUCTS COMPANY</b>                      Carlisle (Pennsylvania)</p>
<p> <b>BRASIL</b>  <b>TVH BRASIL PECAS LTDA</b>                      Araquari (Santa Catarina) • Vinhedo</p>	<p> <b>ITALY</b>  <b>TVH ITALIA SRL</b>                      Marano Ticino (Novara) • Settimo Torinese                      (Torino)  <b>CAM SRL</b>                      Marano Ticino (Novara)  <b>ULIVIERI GSE SRL</b>                      Massarosa • Marano Ticino (Novara) •                      Settimo Torinese (Torino) • Fiumucino                      (Rome)</p>	<p> <b>SINGAPORE</b>  <b>TVH SINGAPORE PTE LTD</b>                      Jurong</p>	
<p> <b>BULGARIA</b>  <b>TVH BULGARIA LTD</b>                      Ruse</p>	<p> <b>MALAYSIA</b>  <b>TVH MALAYSIA SDN BHD</b>                      Johor Bahru • Shah Alam (Kuala Lumpur)</p>	<p> <b>SOUTH AFRICA</b>  <b>TVH PARTS SOUTH AFRICA (PTY) LTD</b>                      Durban • Isando (Johannesburg) • Korsten                      (Port Elizabeth) • Kraaifontein (Cape                      Town) • Lichtenburg • Richards Bay</p>	
<p> <b>CANADA</b>  <b>TVH CANADA LTD</b>                      Mississauga (Ontario) • Port Coquitlam                      (British Columbia)</p>	<p> <b>MEXICO</b>  <b>TVH PARTS MEXICO, S DE RL DE CV</b>                      Cuautitlán Izcalli (Mexico City) • Santa                      Catarina Nuevo León</p>	<p> <b>SPAIN</b>  <b>TVH IBÉRICA 2008 SL</b>                      Badalona (Barcelona)  <b>COMERCIAL AGRINAVA SL</b>                      Pamplona (Navarra)  <b>BEPCO IBÉRICA SA</b>                      Almendralejo (Badajoz) • Badalona                      (Barcelona) • Dos Hermanas (Sevilla) •                      Santiago de Compostella (A Coruña) •                      Zaragoza (Zaragoza)</p>	
<p> <b>CHINA</b>  <b>TVH TRADING (SHANGHAI) CO, LTD</b>                      Shanghai • Tianjin  <b>XIAMEN HEZE MECHANICAL                      EQUIPMENT CO LIMITED</b>                      Xiamen  <b>XIAMEN YI HAI XING CHENG                      TRADING CO LIMITED</b>                      Xiamen</p>	<p> <b>NETHERLANDS</b>  <b>BEPCO NEDERLAND BV</b>                      Heeswijk-Dinther</p>	<p> <b>SWEDEN</b>  <b>TVH NORDIC AB</b>                      Ed</p>	
<p> <b>FRANCE</b>  <b>TVH FRANCE SASU</b>                      Wattrelos  <b>FRANCE HAYON SERVICE SAS</b>                      Etreilles  <b>GLACES DISTRIBUTION                      INTERNATIONALE – GDI SAS</b>                      Beaufort-en-Vallée  <b>BEPCO FRANCE SAS</b>                      Agen • Etreilles</p>	<p> <b>NEW ZEALAND</b>  <b>TVH NEW ZEALAND LTD</b>                      Christchurch • East Tamaki (Auckland)</p>	<p> <b>THAILAND</b>  <b>TVH PARTS (THAILAND) LIMITED</b>                      Bangkok</p>	
	<p> <b>POLAND</b>  <b>TVH POLSKA SP ZOO</b>                      Tychy  <b>BEPCO POLSKA SP ZOO</b>                      Myślenice  <b>AGRO-JAN PRODUKCJA SP ZOO</b>                      Myślenice</p>	<p> <b>TURKEY</b>  <b>TVH YEDEK PARCA TICARET AŞ</b>                      Arnavutköy (Istanbul, European) • Tuzla                      (Istanbul, Asian)</p>	
		<p> <b>UKRAINE</b>  <b>BEPCO UKRAINE LLC</b>                      Tarnopol</p>	
		<p> <b>UNITED ARAB                      EMIRATES</b>  <b>TVH MIDDLE EAST FZE</b>                      Sharjah</p>	

### SALES REPRESENTATION IN THE FOLLOWING COUNTRIES:

Albania, Algeria, Austria, Bahrain, Belarus, Benin, Bosnia, Botswana, Canary Islands, Croatia, Cyprus, Denmark, Djibouti, Egypt, Estonia, Finland, Ghana, Greece, Hong Kong, Iceland, Ireland, Kosovo, Kuwait, Latvia, Lesotho, Libya, Lithuania, Macedonia, Malawi, Malta, Morocco, Mauritania, Moldova Republic, Montenegro, Mozambique, Namibia, Nigeria, Norway, Oman, Pakistan, Portugal, Qatar, Saudi Arabia, Serbia, Slovenia, Swaziland, Switzerland, Taiwan, Togo, Tunisia, Ukraine, Yemen, Zambia, Zimbabwe



WWW.TVH.COM





**TVH PARTS NV**

Brabantstraat 15 • 8790 Waregem • Belgium  
T +32 56 43 42 11 • F +32 56 43 44 88 • info@tvh.com • www.tvh.com